

HONDA

GOLDWING

GL1500A '92 - '93

GL1500I '92 - '93

GL1500SE '92 - '93

PARTS MANUAL

BEST VIEW 1024 BY 768 PIXELS

CDS ORDER

HOW TO USE THIS CATALOG

This parts catalog is to be used when ordering replacement parts for the model (s) specified on the microfiche title strip.

CATALOG PAGE BREAKDOWN

MODEL(S)	MODEL APPLICATION						AREA CODE	ENGINE SERIAL NUMBER FROM TO	QTY REQ	PART NUMBER	HONDA CODE			
	1984	1985	1986	1987	1988	1989								
Ref. No.	BLOCK NO.	E-1												
No.	DESCRIPTION		4	5	6	7	4	5	6	7				
1	2	3a	3						4		5	6	7	8
<p>1. Ref. No.—Reference number corresponding with the reference numbers on the illustrations. * All illustrations are representative only and do not necessarily correspond exactly to the actual part. "NI" signifies the part is not illustrated.</p> <p>2. DESCRIPTION—Describes the part for the related part number. Abbreviations: ASSY. -Assembly L (100L) -Link (100 Links) COMP. -Complete A.C. -Alternating R. -Right C. -Current L. -Left D.C. -Direct Current STD. -Standard IN. -Inlet MM -Millimeter EX. -Exhaust G -Gram FR. -Front T (22T) -Tooth RR. -Rear (22 Teeth) HEX. -Hexagonal A -Ampere A.M. -Attaching Mark V -Volt T.M. -Transcript Mark W -Watt C.D.I. -Capacitive Dis-charge Ignition KPH -Kilometer WL -With Labelling MPH -Miles Per Hour WOL -Without Labelling</p> <p>Decision for 'R' or 'L'. 'R' or 'L' in the description of a part stands for the Right hand side or the Left hand side which is decided by the forward direction of travel of the vehicle.</p> <p>3. Model Application—Model application for the various models listed within the catalog. Single model applications will not require this section.</p> <p>3a. Model Year Guide—A guide to the part application (prior to 1976 the guide reference is the model designation i.e. K0, K1 etc... For 1976 and above the guide reference is the last digit of the model year i.e. 1976=6; 1977=7; 1985=5 etc...)</p> <p>4. AREA CODE—Area codes for parts that are unique to a particular area. Area codes are defined in the Serial Number application chart when applicable. This column will not be used in catalogs which do not include unique area codes.</p> <p>5. SERIAL NUMBER—Applies to Engine or Frame serial numbers depending on the section. The serial number of the vehicle (frame, engine, carburetor) should be checked prior to ordering parts for a specific unit. In cases where a part has been modified, the serial number of the vehicle bearing the modification is listed in the 'SERIAL NUMBER' column. The modification parts are controlled by each pertinent serial number below: Engine serial number—Engine group parts (Block numbers beginning with 'E'). Carburetor identification number—Carburetor component parts. Frame serial numbers—Frame group parts (Block numbers beginning with 'F'). Serial number application chart and Serial number locations are provided.</p> <p>Note: Some models may be controlled by one serial number only.</p>														

HOW TO USE THIS CATALOG

6. **QTY REQ**—Quantity required per unit as specified.
 A. "N" in place of the quantity indicates AS REQUIRED.
 B. "()" by the quantity required indicates "optional".
7. **PART NUMBER**—Part number corresponding to the reference numbers and application. Several part numbers may be listed under one (1) reference number. For your convenience the current supersede chain, as of print date, has been listed for you. Supersede chains are subject to change without notice.
8. **H/C**—The Honda Code is listed to the right of each Part Number.
- A. **Additional Information**—The table of contents located at the right of each microfiche grid lists sectioned titles in alphabetical order. Some microfiche will require separate tables of contents for the Engine and Frame sections which will be noted in a sub-heading; the introduction section (Row "A") of these microfiche will have the contents of the Engine Section on even number grids and the contents of the Frame Section on odd number grids.

MAKE-UP OF PART NUMBERS

All parts are classified into two groups consisting of "GENERAL PARTS" and "STANDARD PARTS". All parts are numbered in accordance with system described below:

General Parts

Example: Fork comp. Part No.51105-GR1-700ZA
 Function No.51
 Component No.105
 Parts Classification No.GR1-
 Classification No.700
 *Color CodeZA

Standard Parts

Example: 8 x 18 Hex., Bolt Part No.92000-08018-1A
 Function No.92
 Type No.000
 Dimensions08018-
 ISO Standard Designation.....1
 Chemical Surface Treatment.....A

The color code at the end of a General Part's part number indicate the color. However, color codes such as ZA, ZB, ZC onward except ZZ, do not indicate the color directly but refer to the notes "" in the Description Column of this Parts Catalog Microfiche. If the color description is not indicated in the description, refer to the color table.

NOTE:

1. The Block No. listed in the upper right hand corner of the Description heading refers to a complete illustration page and it's text, and should not be confused with the GRID NO. when using microfiche.
2. Rear view mirrors are standard equipment on all street legal models.

SERIAL NUMBERS

Models and applicable serial numbers

Models and applicable serial Nos. given in this parts catalog can be identified as follows.

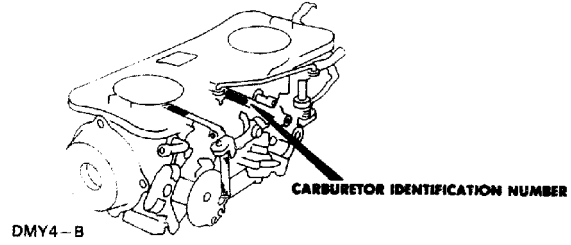
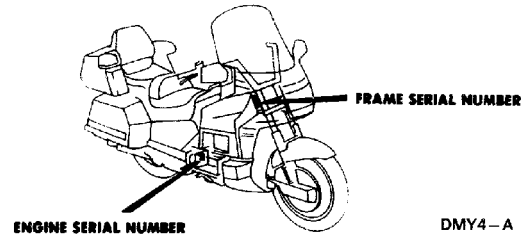
Model	Area code	Type	Applicable engine serial No.	Applicable frame Serial No.	Applicable carburetor identification No.
GL1500A '92	A	Except California	SC22E-2400114 To 2406485	SC220+ NA400003 To NA401982	VDGWE <u>A</u>
GL1500A '92	AC	California	SC22E-2401614 To 2405846	SC221+ NA400012 To NA400243	VDGYD <u>A</u>
GL1500A '93	A	Except California	SC22E-2500109 To Subsequent	SC220+ PA500001 To Subsequent	VDGWE <u>A</u>
GL1500A '93	AC	California	SC22E-2500106 To Subsequent	SC221+ PA500001 To Subsequent	VDGYD <u>A</u>
GL1500SE '92	A	Except California	SC22E-2400654 To 2406910	SC223+ NA400001 To NA401340	VDGWE <u>A</u>
GL1500SE '92	AC	California	SC22E-2401434 To 2405510	SC224+ NA400003 To NA400182	VDGYD <u>A</u>
GL1500SE '93	A	Except California	SC22E-2500564 To Subsequent	SC223+ PA500001 To Subsequent	VDGWE <u>A</u>
GL1500SE '93	AC	California	SC22E-2500104 To Subsequent	SC224+ PA500001 To Subsequent	VDGYD <u>A</u>
GL1500I '92	A	Except California	SC22E-2402757 To 2406705	SC226+ NA400001 To NA400962	VDGWF <u>A</u>
GL1500I '92	AC	California	SC22E-2402759 To 2406100	SC227+ NA400001 To NA400183	VDGYE <u>A</u>
GL1500I '93	A	Except California	SC22E-2500101 To Subsequent	SC226+ PA500001 To Subsequent	VDGWF <u>A</u>
GL1500I '93	AC	California	SC22E-2500219 To Subsequent	SC227+ PA500001 To Subsequent	VDGYE <u>A</u>

* Of carburetor identification numbers, only the portions underlined in the example below are used for registration.

VDGWE A KC 7

SERIAL NUMBERS

Location of stamped serial number



CONSTRUCTION OF VEHICLE IDENTIFICATION NUMBER (V.I.N.)

	W.M.I.	V.D.S.		V.I.S.	
(Example)	J H Z	R C 0 4 0	*	B M 2 0 0 0 0 1	
					Sequential Production number
					Plant representation
					A.....OHIO factory in U.S.A. B.....AALST factory in BELGIUM C.....SAITAMA factory in JAPAN D.....GUADALAJARA factory in MEXICO E.....MONTESA factory in SPAIN F.....ATESSA factory in ITALY K.....KUMAMOTO factory in JAPAN M.....HAMAMATSU factory in JAPAN R.....MANAUS factory in BRAZIL S.....SUZUKA factory in JAPAN T.....TOCHIGI factory in JAPAN
					Model year
					(Example) B.....1981 C.....1982 D.....1983 X.....1999 <Except I.O.Q.U>
					Check digit
					This code is used to detect errors in the V.I.N. and consists of a single-digit number (0-9) or a letter "X". It has no direct bearing upon the V.D.S. and V.I.S.
					Vehicle description code
					(Example) RC140.....CB750F NC030.....CB400T Refer to: SERIAL NUMBERS
					Make and Type of vehicle
					JH2HONDA, Motorcycle (Manufactured in JAPAN) 1HFHONDA, Motorcycle (Manufactured in U.S.A.) YC1HONDA, Motorcycle (Manufactured in BELGIUM) 9C2HONDA, Motorcycle (Manufactured in BRAZIL) 3H1HONDA, Motorcycle (Manufactured in MEXICO) YTMHONDA, Motorcycle (Manufactured in SPAIN) ZDCHONDA, Motorcycle (Manufactured in ITALY) JH3HONDA, All terrain vehicle (Manufactured in JAPAN) 478HONDA, All terrain vehicle (Manufactured in U.S.A.)

Any change or modification of parts is directly related to the V.D.S. and V.I.S.
 A V.I.S. number will appear in the "Serial No." column of the Parts Catalog if a part is changed or modified.

COMMENT:

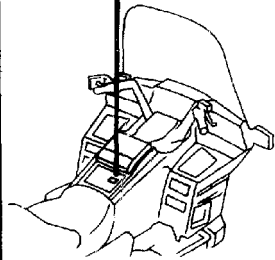
This example is generic and applies to 1981 and newer vehicles. 1980 models and prior are referred to as "FRAME NUMBERS" and the construction is designed by using the model designation or code followed by a sequential number.

INSTRUCTION OF COLOR LABEL

Color label

- When ordering parts, check the model name, main color and code by observing the color label on the vehicle.
- When ordering a colored part, use the Color Chart in the INSTRUCTION FOR USE OF PARTS CATALOG.

GL1500AN		MODEL		GL1500AN		
COLOR	R-176C	COLOR		Candy spectra red R-176C	Cambridge blue metallic PB-240M	Serial num
CODE	R176	CODE		R176	PB240	Fr
No.	Name of colored parts	Basic part No.				
1	BAG, L. SADDLEBAG INNER	81364-MN5-000		ZA	ZA	
2	BAG, R. SADDLEBAG INNER	81362-MN5-000		ZA	ZA	
3	BAG, TRUNK INNER	81360-MN5-000		ZA	ZA	
4	BASE ASSY., L. BACK MIRROR	88124-MN5-003		ZB		



DMY4-C

COLOR TABLES

Color chart

- When ordering a colored part, refer to the chart below and use a part number consisting of the relevant basic part number to which has been added a part color code.
(e.g. If a COVER, R. SIDE whose main color is candy spectra red is required → 83600-MN5-000ZN)
- Stripes and labels other than caution labels are included in parts whose part name end in WL.
- Stripes and labels are not included in parts whose part name end in WOL.

GOLD WING Aspencade GL1500A '92 (A) SC220*NA400003 To NA401982 (AC) SC221*NA400012 To NA400243

MODEL			GL1500AN					
COLOR			Candy spectra red R-176C	Cambridge blue metallic PB-240M	Serial number		Area code	Grid No.
CODE					From	To		
No.	Name of colored parts	Basic part No.	R176	PB240				
1	BAG, L. SADDLEBAG INNER	81364-MN5-000	ZA	ZA				1-K7
2	BAG, R. SADDLEBAG INNER	81362-MN5-000	ZA	ZA				1-K6
3	BAG, TRUNK INNER	81360-MN5-000	ZA	ZA				1-K4
4	BASE ASSY., L. BACK MIRROR	88124-MN5-003	ZP	ZR				1-J5
5	BASE ASSY., R. BACK MIRROR	88114-MN5-003	ZP	ZR				1-J5
6	BODY COMP., L. SADDLEBAG	81416-MN5-670	ZC	ZD				1-K7, 2-C12
7	BODY COMP., R. SADDLEBAG	81210-MN5-670	ZC	ZD				1-K5, 2-C11
8	BODY, L. ARM REST	81156-MN5-000	ZA	ZA				1-K3, 2-C11
9	BODY, R. ARM REST	81154-MN5-000	ZA	ZA				1-K3, 2-C11
10	BOX COMP., TRUNK	80110-MN5-000	ZN	ZP				1-K1
11	CAP. L. DEFLECTOR	64296-MT2-000	ZN	ZP				1-J9
12	CAP. R. DEFLECTOR	64296-MT2-000	ZN	ZP				1-J9
13	COVER ASSY., L. ENGINE SIDE	83570-MY4-000	ZA	ZA				1-K9
14	COVER ASSY., R. ENGINE SIDE	83520-MY4-000	ZA	ZA				1-K9
15	COVER ASSY., R. POCKET	64225-MN5-010	ZA	ZA				1-J11
16	COVER SET, L. SIDE	83824-MN5-000	ZB	ZA				2-C5
17	COVER SET, R. SIDE	83823-MN5-000	ZB	ZA				2-C4
18	COVER, COMBINATION SWITCH	83160-MN5-000	ZA	ZA				1-G12
19	COVER, FR. FORK	61850-MN5-000	ZA	ZA				1-G1
20	COVER, L. ARM REST	81151-MN5-000	ZA	ZA				1-K2, 2-C10
21	COVER, L. ARM REST (B)	81153-MN5-000	ZA	ZA				1-K3, 2-C10
22	COVER, L. FR. FENDER	61114-MN5-000	ZN	ZP				1-F12
23	COVER, L. LOWER	83562-MN5-000	ZL	ZL				1-K9
24	COVER, L. POCKET	64255-MN5-000	ZA	ZA				1-J11
25	COVER, L. SADDLEBAG LOWER	81414-MN5-000	ZP	ZN				1-K7, 2-D1
26	COVER, L. SIDE	83700-MN5-000	ZN	ZP				1-H5, 2-C5
27	COVER, L. SPEAKER	64247-MN5-000	ZA	ZA				1-F2, 1-L11
28	COVER, L. STEERING HANDLE	53120-MN5-000	ZA	ZA				1-F10
29	COVER, L. UPPER	83561-MY4-000	ZA	ZA				1-K9
30	COVER, R. ARM REST	81150-MN5-000	ZA	ZA				1-K2, 2-C10
31	COVER, R. ARM REST (B)	81152-MN5-000	ZA	ZA				1-K2, 2-C10
32	COVER, R. FR. FENDER	61104-MN5-000	ZN	ZP				1-F12
33	COVER, R. LOWER	83512-MN5-000	ZM	ZM				1-K9

COLOR TABLES

GOLD WING Aspencade GL1500A '92 (A) SC220*NA400003 To NA401982 (AC) SC221*NA400012 To NA400243

MODEL			GL1500AN					
COLOR			Candy spectra red R-176C	Cambridge blue metallic PB-240M	Serial number		Area code	Grid No.
CODE					From	To		
No.	Name of colored parts	Basic art No.	R176	PB240				
34	COVER, R. SADDLEBAG LOWER	81214-MN5-000	ZP	ZN				1-K5, 2-C11
35	COVER, R. SIDE	83600-MN5-000	ZN	ZP				1-H4, 2-C4
36	COVER, R. SPEAKER	64242-MN5-000	ZA	ZA				1-F2, 1-L10
37	COVER, R. STEERING HANDLE	53110-MN5-000	ZA	ZA				1-F10
38	COVER, R. UPPER	83511-MY4-000	ZA	ZA				1-K9
39	COVER, RADIO CASSETTE	83170-MN5-000	ZA	ZA				1-K12
40	COVER, TRUNK LOWER	81140-MN5-000	ZN	ZP				1-K2, 2-C10
41	COWL SET, L. SIDE UNDER	64023-MN5-000	ZB	ZA				2-C9
42	COWL SET, R. SIDE UNDER	64022-MN5-000	ZB	ZA				2-C8
43	COWL, FR. LOWER	64300-MN5-000	ZL	ZL				1-J9
44	COWL, L. UNDER	64290-MN5-000	ZM	ZN				1-J9, 2-C9
45	COWL, R. UNDER	64280-MN5-000	ZM	ZN				1-J8, 2-C8
46	CUSHION, L. ARM REST	81159-MN5-000	ZA	ZA				1-K3, 2-C11
47	CUSHION, R. ARM REST	81158-MN5-000	ZA	ZA				1-K3, 2-C11
48	DEFLECTOR, L. SIDE	64294-MN5-000	ZN	ZP				1-J9
49	DEFLECTOR, R. SIDE	64284-MN5-000	ZN	ZP				1-J9
50	FAIRING COMP.	64200-MY8-000	ZF	ZG				1-J8
51	FAIRING SET	64021-MY4-000	ZA	ZA				1-L10
52	FENDER A, FR.	61105-MN5-000	ZN	ZP				1-F12, 1-L12
53	FENDER B, FR.	61106-MN5-000	ZN	ZP				1-F12, 1-L12
54	FENDER SET, FR.	61020-MY4-000	ZE	ZD				1-L12
55	FENDER, RR. (A)	80100-MN5-000	ZP	ZN				1-H4, 2-D3
56	GRILLE, L. SPEAKER	64248-MN5-000	ZA	ZA				1-F2, 1-L11
57	GRILLE, R. SPEAKER	64243-MN5-000	ZA	ZA				1-F2, 1-L10
58	GRIP, L. PASSENGER	84120-MN5-000	ZA	ZA				1-H1
59	GRIP, R. PASSENGER	84110-MN5-000	ZA	ZA				1-H1
60	GROMMET, COMBINATION SWITCH	83161-MN5-000	ZA	ZA				1-G12
61	GROMMET, FR. PASSENGER GRIP	84111-MT2-000	ZA	ZA				1-H1
62	GROMMET, RR. PASSENGER GRIP	84112-MT2-000	ZA	ZA				1-H1
63	GUARD, FENDER	61102-MN5-000	ZA	ZA				1-F12, 1-L12
64	KNOB, TRUNK POCKET	81166-MN5-000	ZA	ZA				1-K3
65	LABEL, COLOR	87563-MY4-670	ZA	ZB				1-L7

COLOR TABLES

GOLD WING Aspencade GL1500A '92 (A) SC220*NA400003 To NA401982 (AC) SC221*NA400012 To NA400243

No.	MODEL		GL1500AN				Area code	Grid No.
	COLOR		Candy spectra red R-176C	Cambridge blue metallic PB-240M	Serial number			
	CODE				From	To		
Name of colored parts	Basic part No.	R176	PB240					
66	LABEL, DRIVE	87560-MT2-000	ZA	ZA				1-L6
67	LABEL, FUEL	87586-MRG-670	ZA	ZA				1-L7
68	LID COMP., L. SADDLEBAG	81420-MT8-000	ZG	ZH				1-K7, 2-D1
69	LID COMP., R. SADDLEBAG	81220-MT8-000	ZG	ZH				1-K6, 2-C12
70	LID COMP., TRUNK	81120-MN5-000	ZK	ZL				1-K2
71	LID, L. TRUNK POCKET	81165-MN5-000	ZA	ZA				1-K3
72	LID, R. TRUNK POCKET	81164-MN5-000	ZA	ZA				1-K3
73	LID, SHELTER	83131-MN5-000	ZA	ZA				1-G11
74	MIRROR ASSY., L.	88120-MT8-000	ZJ	ZK				1-J5
75	MIRROR ASSY., R.	88110-MT8-000	ZJ	ZK				1-J5
76	MOULDING, L. COWL TRIM	64214-MN5-000	ZN	ZP				1-J8
77	MOULDING, R. COWL TRIM	64204-MN5-000	ZN	ZP				1-J8
78	OUTLET, FRESH AIR	64480-MN5-000	ZA	ZA				1-F2, 1-L11
79	PANEL, FR. UNDER	64500-MN5-000	ZN	ZP				1-J10
80	PANEL, L. BLIND	83149-MN5-000	ZN	ZP				1-G12, 2-C2
81	PANEL, METER	64240-MT8-000	ZC	ZC				1-F2, 1-L10
82	PLATE, HANDLE COVER SETTING	53111-MN5-000	ZA	ZA				1-F10
83	POCKET ASSY., L. TRUNK	81161-MN5-000	ZA	ZA				1-K3, 2-C11
84	POCKET ASSY., R. TRUNK	81160-MN5-000	ZA	ZA				1-K3, 2-C11
85	PROTECTOR, L. CHAMBER	18415-MW5-870	ZC	ZC				1-H6
86	PROTECTOR, L. EX. PIPE	18425-MW5-000	ZD	ZD				1-H6
87	PROTECTOR, L. RR. EX. PIPE	18326-MW5-000	ZL	ZL				1-H6
88	PROTECTOR, R. CHAMBER	18315-MW5-870	ZC	ZC				1-H6
89	PROTECTOR, R. EX. PIPE	18325-MW5-000	ZD	ZD				1-H6
90	SADDLEBAG & TRUNK SET	80020-MY4-000	ZC	ZB				2-C10, 2-D3
91	SEAT COMP., BACK	77500-MT8-000	ZD	ZD				1-K1
92	SEAT COMP., DOUBLE	77200-MT8-000	ZC	ZC				1-H1
93	SHELTER COMP., L. SIDE	83120-MN5-000	ZM	ZN				1-G11
94	SHELTER COMP., R. SIDE	83110-MN5-000	ZM	ZN				1-G11
95	SHELTER SET, L. SIDE	83022-MW5-000	ZB	ZA				2-C2
96	SHELTER SET, R. SIDE	83021-MW5-000	ZB	ZA				2-C1
97	SHELTER, TOP	83150-MY4-000	ZA	ZA				1-G12

COLOR TABLES

GOLD WING Aspencade GL1500A '93 (A) SC220*PA500001 To Subsequent (AC) SC221*PA500001 To Subsequent

MODEL			GL1500AP						
COLOR			Candy spectra red R-116C	Cambridge blue metallic PB-240M	Black-Z NH-1-Z	Serial number		Area code	Grid No.
CODE						From	To		
No.	Name of colored parts	Basic part No.	R176	PB240	NH1Z				
1	BAG, L. SADDLEBAG INNER	81364-MN5-000	ZA	ZA	ZA				1-K7
2	BAG, R. SADDLEBAG INNER	81362-MN5-000	ZA	ZA	ZA				1-K6
3	BAG, TRUNK INNER	81360-MN5-000	ZA	ZA	ZA				1-K4
4	BASE ASSY., L. BACK MIRROR	88124-MN5-003	ZP	ZR	ZJ				1-J5
5	BASE ASSY., R. BACK MIRROR	88114-MN5-003	ZP	ZR	ZJ				1-J5
6	BODY COMP., L. SADDLEBAG	81410-MN5-670	ZC	ZD	ZA				1-K7
7	BODY COMP., R. SADDLEBAG	81210-MN5-670	ZC	ZD	ZA				1-K5
8	BODY, L. ARM REST	81156-MN5-000	ZA	ZA	ZA				1-K3
9	BODY, R. ARM REST	81154-MN5-000	ZA	ZA	ZA				1-K3
10	BOX COMP., TRUNK	80110-MN5-000	ZN	ZP	ZJ				1-K1
11	CAP, L. DEFLECTOR	64296-MT2-000	ZN	ZP	ZJ				1-J9
12	CAP, R. DEFLECTOR	64286-MT2-000	ZN	ZP	ZJ				1-J9
13	COVER ASSY., L. ENGINE SIDE	83570-MY4-000	ZA	ZA	ZA				1-K10
14	COVER ASSY., R. ENGINE SIDE	83520-MY4-000	ZA	ZA	ZA				1-K9
15	COVER ASSY., R. POCKET	64225-MZ3-000	ZA	ZA	ZA				1-J11
16	COVER, COMBINATION SWITCH	83160-MN5-000	ZA	ZA	ZA				1-G12
17	COVER, FR. FORK	51050-MN5-000	ZA	ZA	ZA				1-G1
18	COVER, L. ARM REST	81151-MN5-000	ZA	ZA	ZA				1-K2
19	COVER, L. ARM REST (B)	81153-MN5-000	ZA	ZA	ZA				1-K3
20	COVER, L. FR. FENDER	51114-MN5-000	ZN	ZP	ZJ				1-F12
21	COVER, L. LOWER	83562-MN5-000	ZL	ZL	ZL				1-K9
22	COVER, L. POCKET	64255-MN5-000	ZA	ZA	ZA				1-J11
23	COVER, L. SADDLEBAG LOWER	81414-MN5-000	ZP	ZN	ZJ				1-K7
24	COVER, L. SIDE	83700-MN5-000	ZN	ZP	ZJ				1-H5
25	COVER, L. SPEAKER	64247-MN5-000	ZA	ZA	ZA				1-F2
26	COVER, L. STEERING HANDLE	53120-MN5-000	ZA	ZA	ZA				1-F10
27	COVER, L. UPPER	83561-MY4-000	ZA	ZA	ZA				1-K9
28	COVER, R. ARM REST	81156-MN5-000	ZA	ZA	ZA				1-K2
29	COVER, R. ARM REST (B)	81152-MN5-000	ZA	ZA	ZA				1-K2
30	COVER, R. FR. FENDER	61104-MN5-000	ZN	ZP	ZJ				1-F12

COLOR TABLES

GOLD WING Aspencade GL1500A '93 (A) SC220*PA500001 To Subsequent (AC) SC221*PA500001 To Subsequent

MODEL			GL1500AP						
COLOR			Candy spectra red R-176C	Cambridge blue metallic PB-244M	Black-Z NH-1-Z	Serial number		Area code	Grid No.
CODE						From	To		
No.	Name of colored parts	Basic part No.	R176	PB240	NH1Z				
31	COVER, R. LOWER	83512-MN5-000	ZM	ZM	ZM				1-K9
32	COVER, R. SADDLEBAG LOWER	81214-MN5-000	ZP	ZN	ZJ				1-K5
33	COVER, R. SIDE	83800-MN5-000	ZN	ZP	ZJ				1-H4
34	COVER, R. SPEAKER	64242-MN5-000	ZA	ZA	ZA				1-F2
35	COVER, R. STEERING HANDLE	53110-MN5-000	ZA	ZA	ZA				1-F10
36	COVER, R. UPPER	83511-MY4-000	ZA	ZA	ZA				1-K9
37	COVER, RADIO CASSETTE	83170-MN5-000	ZA	ZA	ZA				1-K12
38	COVER, TRUNK LOWER	81140-MN5-000	ZN	ZP	ZJ				1-K2
39	COWL, FR. LOWER	64300-MN5-000	ZL	ZL	ZL				1-J9
40	COWL, L. UNDER	64290-MN5-000	ZM	ZN	ZH				1-J9
41	COWL, R. UNDER	64280-MN5-000	ZM	ZN	ZH				1-J8
42	CUSHION, L. ARM REST	81159-MN5-000	ZA	ZA	ZA				1-K3
43	CUSHION, R. ARM REST	81158-MN5-000	ZA	ZA	ZA				1-K3
44	DEFLECTOR, L. SIDE	64294-MN5-000	ZN	ZP	ZJ				1-J9
45	DEFLECTOR, R. SIDE	64284-MN5-000	ZN	ZP	ZJ				1-J9
46	FAIRING COMP.	64280-MT8-000	ZF	ZG	ZD				1-J8
47	FENDER A, FR.	61105-MN5-000	ZN	ZP	ZJ				1-F12
48	FENDER A, RR.	80100-MN5-000	ZP	ZN	ZJ				1-H4
49	FENDER B, FR.	61106-MN5-000	ZN	ZP	ZJ				1-F12
50	GRILLE, L. SPEAKER	64248-MN5-000	ZA	ZA	ZA				1-F2
51	GRILLE, R. SPEAKER	64243-MN5-000	ZA	ZA	ZA				1-F2
52	GRIP, L. PASSENGER	84120-MN5-000	ZA	ZA	ZA				1-H1
53	GRIP, R. PASSENGER	84110-MN5-000	ZA	ZA	ZA				1-H1
54	GROMMET, COMBINATION SWITCH	83161-MN5-000	ZA	ZA	ZA				1-G12
55	GROMMET, FR. PASSENGER GRIP	84111-MT2-000	ZA	ZA	ZA				1-H1
56	GROMMET, RR. PASSENGER GRIP	84112-MT2-000	ZA	ZA	ZA				1-H1
57	GUARD, FENDER	61102-MW5-000	ZA	ZA	ZA				1-F12
58	KNOB, TRUNK POCKET	81166-MN5-000	ZA	ZA	ZA				1-K3
59	LABEL, COLOR	87565-M23-300	ZA	ZB	ZC				1-L7
60	LABEL, DRIVE	87560-MWB-670	ZA	ZA	ZA				1-L6

COLOR TABLES

GOLD WING Aspencade GL1500A '93 (A) SC220*PA500001 To Subsequent (AC) SC221*PA500001 To Subsequent

MODEL			GL1500AP						
COLOR			Candy spectra red R-174C	Cambridge blue metallic PB-240M	Black-Z NH-1-Z	Serial number		Area code	Grid No.
CODE						From	To		
No.	Name of colored prts	Basic part No.	R174	PB240	NH1Z	From	To		
61	LABEL, FUEL	87506-MR6-670	ZA	ZA	ZA				1-L7
62	LABEL, HELMET HOLDER	87511-MW8-670	ZA	ZA	ZA				1-L6
63	LID COMP., L. SADDLEBAG	81420-MT8-000	ZG	ZH	ZD				1-K7
64	LID COMP., R. SADDLEBAG	81220-MT8-000	ZG	ZH	ZD				1-K6
65	LID COMP., TRUNK	81120-MN5-000	ZK	ZL	ZH				1-K2
66	LID, L. TRUNK POCKET	81165-MN5-000	ZA	ZA	ZA				1-K3
67	LID, R. TRUNK POCKET	81164-MN5-000	ZA	ZA	ZA				1-K3
68	LID, SHELTER	83131-MN5-000	ZA	ZA	ZA				1-G11
69	MIRROR ASSY., L.	88120-MT8-000	ZJ	ZK	ZF				1-J5
70	MIRROR ASSY., R.	88110-MT8-000	ZJ	ZK	ZF				1-J5
71	MOULDING, L. COWL TRIM	64214-MN5-000	ZN	ZP	ZJ				1-J8
72	MOULDING, R. COWL TRIM	64204-MN5-000	ZN	ZP	ZJ				1-J8
73	OUTLET, FRESH AIR	64400-MN5-000	ZA	ZA	ZA				1-F2
74	PANEL, FR. UNDER	64500-MN5-000	ZN	ZP	ZJ				1-J10
75	PANEL, L. BLIND	83149-MN5-000	ZN	ZP	ZJ				1-G12
76	PANEL, METER	64240-MT8-000	ZC	ZC	ZC				1-F2
77	PLATE, HANDLE COVER SETTING	53111-MN5-000	ZA	ZA	ZA				1-F10
78	POCKET ASSY., L. TRUNK	81161-MN5-000	ZA	ZA	ZA				1-K3
79	POCKET ASSY., R. TRUNK	81160-MN5-000	ZA	ZA	ZA				1-K3
80	PROTECTOR, L. CHAMBER	18415-MW5-870	ZC	ZC	ZC				1-H6
81	PROTECTOR, L. EX. PIPE	18425-MW5-800	ZD	ZD	ZD				1-H6
82	PROTECTOR, L. RR. EX. PIPE	18326-MN5-000	ZL	ZL	ZL				1-H6
83	PROTECTOR, R. CHAMBER	18315-MW5-870	ZC	ZC	ZC				1-H6
84	PROTECTOR, R. EX. PIPE	18325-MW5-800	ZD	ZD	ZD				1-H6
85	SEAT COMP., BACK	77508-MT8-003	ZD	ZD	ZD				1-K1
86	SEAT COMP., DOUBLE	77200-MT8-000	ZC	ZC	ZC				1-H1
87	SHELTER COMP., L. SIDE	83120-MN5-000	ZM	ZN	ZJ				1-G11
88	SHELTER COMP., R. SIDE	83110-MN5-000	ZM	ZN	ZJ				1-G11
89	SHELTER, TOP	83150-MY4-000	ZA	ZA	ZA				1-G12

COLOR TABLES

GOLD WING SE GL1500SE '92 (A) SC223*NA400001 To NA401340 (AC) SC224*NA400003 To NA400182

MODEL		GL1500SEN				
COLOR		Barbados blue metallic B-134M	Serial number		Area code	Grid No.
CODE			From	To		
No.	Name of colored parts	Basic part No.	B134H			
1	BAG, L. SADDLEBAG INNER	81364-MN5-000	ZA			1-K7
2	BAG, R. SADDLEBAG INNER	81363-MN5-000	ZA			1-K7
3	BAG, TRUNK INNER	81360-MN5-000	ZA			1-K4
4	BASE ASSY., L. BACK MIRROR	88124-MN5-003	ZS			1-J7
5	BASE ASSY., R. BACK MIRROR	88114-MN5-003	ZS			1-J7
6	BASE SUB ASSY., HIGH MOUNT LIGHT	34320-MT8-770	ZE			1-L5
7	BODY COMP., L. SADDLEBAG (WL)	81410-MY4-770	ZD			1-K7, 2-C12
8	BODY COMP., R. SADDLEBAG (WL)	81210-MY4-770	ZD			1-K5
9	BODY, L. ARM REST	81156-MN5-000	ZE			1-K3, 2-C11
10	BODY, R. ARM REST	81154-MN5-000	ZE			1-K3, 2-C11
11	BOX COMP., TRUNK	80110-MN5-000	ZR			1-K2
12	CAP, L. DEFLECTOR	64296-MT2-000	ZR			1-J9
13	CAP, R. DEFLECTOR	64296-MT2-000	ZR			1-J9
14	COVER ASSY., L. ENGINE SIDE	83570-MY4-000	ZA			1-K10
15	COVER ASSY., R. ENGINE SIDE	83520-MY4-000	ZA			1-K9
16	COVER ASSY., R. POCKET	64225-MN5-010	ZE			1-J11
17	COVER SET, L. SIDE	83024-MY4-770	ZA			2-C5
18	COVER SET, R. SIDE	83023-MY4-770	ZA			2-C4
19	COVER, COMBINATION SWITCH	83160-MN5-000	ZE			1-G12
20	COVER, FR. FORK	61050-MN5-000	ZA			1-G3
21	COVER, L. ARM REST	81151-MN5-000	ZE			1-K2, 2-C10
22	COVER, L. ARM REST (B)	81153-MN5-000	ZE			1-K3, 2-C10
23	COVER, L. FR. FENDER	61114-MN5-000	ZR			1-F12
24	COVER, L. LOWER	83562-MN5-000	ZL			1-K9
25	COVER, L. POCKET	64255-MN5-000	ZF			1-J11
26	COVER, L. SADDLEBAG LOWER	81414-MN5-000	ZR			1-K7, 2-C12
27	COVER, L. SIDE	83700-MN5-000	ZR			1-H5, 2-C5
28	COVER, L. SPEAKER	64207-MN5-000	ZE			1-F2, 1-L10
29	COVER, L. STEERING HANDLE	53120-MN5-000	ZE			1-F10
30	COVER, L. UPPER	83561-MY4-000	ZA			1-K9
31	COVER, R. ARM REST	81150-MN5-000	ZE			1-K2, 2-C10
32	COVER, R. ARM REST (B)	81152-MN5-000	ZE			1-K2, 2-C10
33	COVER, R. FR. FENDER	61104-MN5-000	ZR			1-F12
34	COVER, R. LOWER	83512-MN5-000	ZM			1-K9
35	COVER, R. SADDLEBAG LOWER	81214-MN5-000	ZR			1-K5
36	COVER, R. SIDE	83600-MN5-000	ZR			1-H4, 2-C4

COLOR TABLES

GOLD WING SE GL1500SE '92 (A) SC223*NA400001 To NA401340 (AC) SC224*NA400003 To NA400182

MODEL		GL1500SEN				
COLOR		Barbados blue metallic B-134M	Serial number		Area code	Grid No.
CODE			From	To		
No.	Name of colored parts	Basic part No.	B134H			
37	COVER, R. SPEAKER	64242-MN5-000	ZE			1-F2, 1-L10
38	COVER, R. STEERING HANDLE	53110-MN5-000	ZE			1-F10
39	COVER, R. UPPER	83511-MY4-000	ZA			1-K?
40	COVER, RADIO CASSETTE	83170-MN5-000	ZE			1-KT2
41	COVER, TRUNK LOWER	81140-MN5-000	ZR			1-K2, 2-C10
42	COWL COMP., L. UNDER	64290-MT8-770	ZD			1-J9, 2-C9
43	COWL COMP., R. UNDER	64280-MT8-770	ZD			1-J8, 2-C8
44	COWL SET, L. SIDE UNDER	64023-MW5-770	ZA			2-C9
45	COWL SET, R. SIDE UNDER	64022-MW5-770	ZA			2-C8
46	COWL, FR. LOWER	64300-MN5-000	ZL			1-J9
47	CUSHION, L. ARM REST	81159-MN5-000	ZE			1-K3, 2-C11
48	CUSHION, R. ARM REST	81158-MN5-000	ZE			1-K3, 2-C11
49	DEFLECTOR, L. SIDE	64294-MN5-000	ZR			1-J9
50	DEFLECTOR, R. SIDE	64284-MN5-000	ZR			1-J9
51	FAIRING COMP. (WL)	64200-MY4-770	ZA			1-J8
52	FAIRING SET	64021-MY4-770	ZD			1-L10
53	FENDER A, FR.	61105-MN5-000	ZR			1-F12, 1-L12
54	FENDER B, FR.	61106-MN5-000	ZR			1-F12, 1-L12
55	FENDER SET, FR.	61020-MW5-770	ZB			1-L12
56	FENDER, RR. (A)	80100-MN5-000	ZR			1-J4, 2-D3
57	GRILLE, L. SPEAKER	64240-MN5-000	ZE			1-F2, 1-L11
58	GRILLE, R. SPEAKER	64243-MN5-000	ZE			1-F2, 1-L10
59	GRIP, L. PASSENGER	84120-MN5-000	ZE			1-H1
60	GRIP, R. PASSENGER	84110-MN5-000	ZE			1-H1
61	GROMMET, COMBINATION SWITCH	83161-MN5-000	ZE			1-G12
62	GROMMET, FR. PASSENGER GRIP	84111-MT2-000	ZE			1-H1
63	GROMMET, RR. PASSENGER GRIP	84112-MT2-000	ZE			1-H1
64	GUARD, FENDER	61102-MW5-000	ZA			1-F12, 1-L12
65	KNOB, TRUNK POCKET	81166-MN5-000	ZE			1-K3
66	LABEL, COLOR	87565-MY4-770	ZA			1-L7
67	LABEL, DRIVE	87560-MT2-300	ZA			1-L6
68	LABEL, FUEL	87566-MR6-670	ZA			1-L7
69	LID COMP., L. EX. PIPE PROTECTOR	18435-MW5-770	ZB			1-H8
70	LID COMP., L. SADDLEBAG (WL)	81420-MY4-770	ZD			1-K7, 2-D1
71	LID COMP., R. EX. PIPE PROTECTOR	18335-MW5-770	ZB			1-H7
72	LID COMP., R. SADDLEBAG (WL)	81228-MY4-770	ZD			2-C11

COLOR TABLES

GOLD WING SE GL1500SE '92 (A) SC223*NA400001 To NA401340 (AC) SC224*NA400003 To NA400182

MODEL		GL1500SEN				
COLOR		Barbados blue metallic B-134M	Serial number		Area code	Grid No.
CODE			From	To		
No.	Name of colored parts	Basic part No.	B134H			
73	LID COMP., TRUNK	81120-MY4-770	ZD			1-K2
74	LID, L. TRUNK POCKET	81165-MNS-000	ZE			1-K3
75	LID, R. TRUNK POCKET	81164-MNS-000	ZE			1-K3
76	LID, SHELTER	83131-MNS-000	ZE			1-G11
77	MIRROR ASSY., L.	88120-MT8-000	ZL			1-J7
78	MIRROR ASSY., R.	88110-MT8-000	ZL			1-J7
79	MOULDING, L. COWL TRIM	64214-MNS-000	ZR			1-J8
80	MOULDING, R. COWL TRIM	64204-MNS-000	ZR			1-J8
81	OUTLET, FRESH AIR	64480-MNS-000	ZE			1-F2, 1-L11
82	PANEL COMP., METER	64241-MT8-770	ZD			1-F2, 1-L10
83	PANEL, FR. UNDER	64500-MNS-000	ZR			1-J10
84	PANEL, L. BLIND	83149-MNS-000	ZR			1-G12, 2-C3
85	PLATE, HANDLE COVER SETTING	53111-MNS-000	ZE			1-F10
86	POCKET ASSY., L. TRUNK	81161-MNS-000	ZE			1-K3, 2-C11
87	POCKET ASSY., R. TRUNK	81160-MT8-770	ZD			1-K3, 2-C11
88	PROTECTOR, L. CHAMBER	18415-MWS-870	ZC			1-H7
89	PROTECTOR, L. EX. PIPE	18425-MWS-770	ZB			1-H8
90	PROTECTOR, L. RR. EX. PIPE	18326-MNS-000	ZL			1-H7
91	PROTECTOR, R. CHAMBER	18315-MWS-870	ZC			1-H7
92	PROTECTOR, R. EX. PIPE	18325-MWS-770	ZB			1-H7
93	SADDLEBAG & TRUNK SET	80020-MY4-770	ZA			2-C10, 2-D3
94	SEAT COMP., BACK	77500-MT8-000	ZB			1-K1
95	SEAT COMP., SINGLE	77200-MT8-770	ZC			1-H1
96	SHELTER COMP., L. SIDE	83120-MNS-000	ZP			1-G11
97	SHELTER COMP., R. SIDE	83110-MNS-000	ZP			1-G11
98	SHELTER SET, L. SIDE	83022-MWS-000	ZC			2-C1
99	SHELTER SET, R. SIDE	83021-MWS-000	ZC			2-C1
100	SHELTER, TOP	83150-MY4-000	ZB			1-G12
101	STRIPE, L. FAIRING OUTER	64203-MY4-770	ZA			1-L8, 1-L10
102	STRIPE, L. SADDLEBAG	87118-MY4-770	ZA			1-L8, 2-D1
103	STRIPE, L. SADDLEBAG LID	81427-MY4-770	ZA			1-L8, 2-D1
104	STRIPE, R. FAIRING OUTER	64202-MY4-770	ZA			1-L8, 1-L10
105	STRIPE, R. SADDLEBAG	87117-MY4-770	ZC			1-L8, 2-D1
106	STRIPE, R. SADDLEBAG LID	81227-MY4-770	ZA			1-L8, 2-C12
107	STRIPE, TRUNK LID	81122-MY4-770	ZA			1-L8, 2-C10

COLOR TABLES

GOLD WING SE GL1500SE '93 (A) SC223*PA500001 To Subsequent (AC) SC224*PA500001 To Subsequent

MODEL			GL1500SEP							
COLOR			Barbados blue metallic B-134M	Pearl coronado blue PB-255P	Pearl glacier white NH-326P	Pearl glacier white NH-326P	Serial number		Area code	Grid No.
CODE							From	To		
No.	Name of colored parts	Basic part No.	B134H	PB255H	NH326H	NH326D				
1	BAG, L. SADDLEBAG INNER	81364-MN5-000	ZA	ZA	ZA	ZA				1-K7
2	BAG, R. SADDLEBAG INNER	81362-MN5-000	ZA	ZA	ZA	ZA				1-K6
3	BAG, TRUNK INNER	81360-MN5-000	ZA	ZA	ZA	ZA				1-K4
4	BASE ASSY., L. BACK MIRROR	88124-MN5-003	ZS	ZU	ZT	ZT				1-J7
5	BASE ASSY., R. BACK MIRROR	88114-MN5-003	ZS	ZU	ZT	ZT				1-J7
6	BASE SUB ASSY., HIGH MOUNT LIGHT	34320-MT8-778	ZE	ZH	ZG	ZG				1-L5
7	BODY COMP., L. SADDLEBAG	81410-M23-770	---	---	---	ZA				1-K7
8	BODY COMP., R. SADDLEBAG	81210-M23-770	---	---	---	ZA				1-K5
9	BODY SET, L. SADDLEBAG (WL)	81424-M23-770	ZF	ZG	ZH	---				1-K7
10	BODY SET, R. SADDLEBAG (WL)	81224-M23-770	ZF	ZG	ZH	---				1-K5
11	BODY, L. ARM REST	81156-MN5-000	ZE	ZA	ZE	ZE				1-K3
12	BODY, R. ARM REST	81154-MN5-000	ZE	ZA	ZE	ZE				1-K3
13	BOX COMP., TRUNK	80110-MN5-000	---	---	---	ZQ				1-K2
14	BOX SET, TRUNK (WL)	81100-M23-770	ZE	ZF	ZG	---				1-K2
15	CAP, L. DEFLECTOR	64296-MT2-000	ZR	ZT	ZS	ZS				1-J9
16	CAP, R. DEFLECTOR	64286-MT2-000	ZR	ZT	ZS	ZS				1-J9
17	COVER ASSY., L. ENGINE SIDE	83570-MY4-000	ZC	ZD	ZE	ZE				1-K10
18	COVER ASSY., R. ENGINE SIDE	83520-MY4-000	ZC	ZD	ZE	ZE				1-K9
19	COVER ASSY., R. POCKET	64225-M23-000	ZC	ZA	ZC	ZC				1-J11
20	COVER SET, L. SIDE (WL)	83710-M23-770	ZE	ZF	ZG	---				1-H5
21	COVER SET, R. SIDE (WL)	83610-M23-770	ZE	ZF	ZG	---				1-H4
22	COVER, COMBINATION SWITCH	83160-MN5-000	ZE	ZA	ZE	ZE				1-G12
23	COVER, FR. FORK	61050-MN5-000	ZA	ZA	ZA	ZA				1-G1
24	COVER, L. ARM REST	81151-MN5-000	ZE	ZA	ZE	ZE				1-K2
25	COVER, L. ARM REST (B)	81153-MN5-000	ZE	ZA	ZE	ZE				1-K3
26	COVER, L. FR. FENDER	61114-MN5-000	ZR	ZS	ZQ	ZQ				1-F12
27	COVER, L. LOWER	83562-MN5-000	ZN	ZP	ZQ	ZQ				1-K9
28	COVER, L. POCKET	64255-MN5-000	ZF	ZA	ZF	ZF				1-J11
29	COVER, L. SADDLEBAG LOWER	81414-MN5-000	ZR	ZS	ZQ	ZQ				1-K7
30	COVER, L. SIDE	83700-MN5-000	---	---	---	ZQ				1-H4
31	COVER, L. SPEAKER	64247-MN5-000	ZE	ZA	ZE	ZE				1-F2
32	COVER, L. STEERING HANDLE	53120-MN5-000	ZE	ZA	ZE	ZE				1-F10
33	COVER, L. UPPER	83561-MY4-000	ZA	ZA	ZA	ZA				1-K9
34	COVER, R. ARM REST	81150-MN5-000	ZE	ZA	ZE	ZE				1-K2
35	COVER, R. ARM REST (B)	81152-MN5-000	ZE	ZA	ZE	ZE				1-K2
36	COVER, R. FR. FENDER	61104-MN5-000	ZR	ZS	ZQ	ZQ				1-F12
37	COVER, R. LOWER	83512-MN5-000	ZP	ZQ	ZR	ZR				1-K9
38	COVER, R. SADDLEBAG LOWER	81214-MN5-000	ZR	ZS	ZQ	ZQ				1-K5
39	COVER, R. SIDE	83600-MN5-000	---	---	---	ZQ				1-H4

COLOR TABLES

GOLD WING SE GL1500SE '93 (A) SC224*PA500001 To Subsequent (AC) SC224*PA500001 To Subsequent

MODEL			GL1500SEP							
COLOR			Barbados blue metallic B-134M	Pearl coronado blue PB-255P	Pearl glacier white NH-326P	Pearl glacier white NH-326P	Serial number		Area code	Grid No.
CODE							From	To		
No.	Name of colored parts	Basic part No.	B134H	PB255H	NH326H	NH326D				
40	COVER, R. SPEAKER	64242-MN5-000	ZE	ZA	ZE	ZE				1-F-2
41	COVER, R. STEERING HANDLE	53110-MN5-000	ZE	ZA	ZE	ZE				1-F-10
42	COVER, R. UPPER	83511-MY4-000	ZA	ZA	ZA	ZA				1-K9
43	COVER, RADIO CASSETTE	83170-MN5-000	ZE	ZA	ZE	ZE				1-K12
44	COVER, TRUNK LOWER	81140-MN5-000	ZR	ZT	ZS	ZS				1-F-2
45	COWL COMP., L. UNDER	64290-MT8-770	ZD	ZG	ZF	ZF				1-J8
46	COWL COMP., R. UNDER	64290-MT8-770	ZD	ZG	ZF	ZF				1-J8
47	COWL, FR. LOWER	64300-MN5-000	ZQ	ZR	ZS	ZS				1-J9
48	CUSHION, L. ARM REST	81159-MN5-000	ZE	ZA	ZE	ZE				1-K3
49	CUSHION, R. ARM REST	81158-MN5-000	ZE	ZA	ZE	ZE				1-K3
50	DEFLECTOR, L. SIDE	64294-MN5-000	ZR	ZS	ZQ	ZQ				1-J9
51	DEFLECTOR, R. SIDE	64284-MN5-000	ZR	ZS	ZQ	ZQ				1-J9
52	EMBLEM A, SIDE COVER	83605-MZ3-770	ZE	ZF	ZG	ZH				1-H5
53	EMBLEM, R. RR. (HONDA)	87111-MZ3-770	ZA	ZB	ZC	ZD				1-K8
54	FAIRING COMP.	64200-MT8-000				ZJ				1-J8
55	FAIRING SET (WL)	64210-MZ3-770	ZE	ZF	ZG					1-J8
56	FENDER A, FR.	61105-MN5-000	ZR	ZT	ZS	ZS				1-F12
57	FENDER A, RR.	80100-MN5-000	ZR	ZS	ZQ	ZQ				1-I4
58	FENDER B, FR.	61106-MN5-000	ZR	ZT	ZS	ZS				1-F12
59	GRILLE, L. SPEAKER	64248-MN5-000	ZE	ZA	ZE	ZE				1-F-2
60	GRILLE, R. SPEAKER	64243-MN5-000	ZE	ZA	ZE	ZE				1-F-2
61	GRIP, L. PASSENGER	84120-MN5-000	ZE	ZA	ZE	ZE				1-H1
62	GRIP, R. PASSENGER	84110-MN5-000	ZE	ZA	ZE	ZE				1-H1
63	GROMMET, COMBINATION SWITCH	83161-MN5-000	ZE	ZA	ZE	ZE				1-G12
64	GROMMET, FR. PASSENGER GRIP	84111-MT2-000	ZE	ZA	ZE	ZE				1-H1
65	GROMMET, RR. PASSENGER GRIP	84112-MT2-000	ZE	ZA	ZE	ZE				1-H1
66	GUARD, FENDER	61102-MW5-000	ZA	ZA	ZA	ZA				1-F12
67	KNOB, TRUNK POCKET	81166-MN5-000	ZE	ZA	ZE	ZE				1-K3
68	LABEL, COLOR	87565-MZ3-770	ZA	ZB	ZC	ZD				1-L7
69	LABEL, DRIVE	87560-MW0-670	ZA	ZA	ZA	ZA				1-L6
70	LABEL, FUEL	87586-MR6-670	ZA	ZA	ZA	ZA				1-L7
71	LABEL, HELMET HOLDER	87511-MW0-670	ZA	ZA	ZA	ZA				1-L6
72	LID COMP., L. EX. PIPE PROTECTOR	18435-MW5-770	ZG	ZH	ZJ	ZJ				1-H8
73	LID COMP., L. SADDLEBAG	81420-MT8-770				ZH				1-K7
74	LID COMP., R. EX. PIPE PROTECTOR	18335-MW5-770	ZG	ZH	ZJ	ZJ				1-H7
75	LID COMP., R. SADDLEBAG	81220-MT8-770				ZH				1-K6
76	LID COMP., TRUNK	81120-MZ3-770				ZA				1-K2
77	LID SET, L. SADDLEBAG (WL)	81425-MZ3-770	ZD	ZF	ZG					1-K8
78	LID SET, R. SADDLEBAG (WL)	81225-MZ3-770	ZF	ZG	ZH					1-K6

COLOR TABLES

GOLD WING SE GL1500SE '93 (A) SC223*PA500001 To Subsequent (AC) SC224*PA500001 To Subsequent

MODEL			GL1500SEP							
COLOR			Barbados blue metallic B-134M	Pearl coronado blue PB-255P	Pearl glacier white NH-326P	Pearl glacier white NH-326P	Serial number		Area code	Grid No.
CODE			B134H	PB255H	NH326H	NH326D	From	To		
No.	Name of colored parts	Basic part No.								
79	LID SET, TRUNK (WL)	81125-MZ3-770	ZB	ZC	ZD	---				1-K2
80	LID, L. TRUNK POCKET	81165-MN5-000	ZE	ZA	ZE	ZE				1-K3
81	LID, R. TRUNK POCKET	81164-MN5-000	ZE	ZA	ZE	ZE				1-K3
82	LID, SHELTER	83131-MN5-000	ZE	ZA	ZE	ZE				1-G11
83	MIRROR ASSY., L.	88120-MT8-000	ZL	ZN	ZM	ZM				1-J7
84	MIRROR ASSY., R.	88110-MT8-000	ZL	ZN	ZM	ZM				1-J7
85	MOULDING, L. COWL TRIM	64214-MN5-000	ZR	ZS	ZQ	ZQ				1-J8
86	MOULDING, R. COWL TRIM	64204-MN5-000	ZR	ZS	ZQ	ZQ				1-J8
87	OUTLET, FRESH AIR	64480-MN5-000	ZE	ZA	ZE	ZE				1-F2
88	PANEL COMP., METER	64241-MT8-770	ZD	ZB	ZD	ZD				1-F2
89	PANEL, FR. UNDER	54500-MN5-000	ZR	ZS	ZQ	ZQ				1-J10
90	PLATE, HANDLE COVER SETTING	53111-MN5-000	ZE	ZA	ZE	ZE				1-F10
91	POCKET ASSY., L. TRUNK	81161-MN5-000	ZE	ZA	ZE	ZE				1-K3
92	POCKET ASSY., R. TRUNK	81160-MT8-770	ZD	ZB	ZD	ZD				1-K3
93	PROTECTOR, L. CHAMBER	18415-MW5-870	ZG	ZH	ZJ	ZJ				1-H8
94	PROTECTOR, L. EX. PIPE	18425-MW5-770	ZF	ZG	ZH	ZH				1-H8
95	PROTECTOR, L. RR. EX. PIPE	18326-MN5-000	ZQ	ZR	ZS	ZS				1-H7
96	PROTECTOR, R. CHAMBER	18315-MW5-870	ZG	ZH	ZJ	ZJ				1-H7
97	PROTECTOR, R. EX. PIPE	18325-MW5-770	ZF	ZG	ZH	ZH				1-H7
98	SEAT COMP., BACK	77500-MT8-000	ZB	ZD	ZB	ZB				1-K1
99	SEAT COMP., DOUBLE	77200-MY4-770	ZA	ZC	ZA	ZA				1-H1
100	SHELTER COMP., L. SIDE	83120-MN5-000	ZP	ZR	ZQ	ZQ				1-G11
101	SHELTER COMP., R. SIDE	83110-MN5-000	ZP	ZR	ZQ	ZQ				1-G11
102	SHELTER, TOP	83150-MY4-000	ZB	ZA	ZB	ZB				1-G12
103	STRIPE A, FR. FENDER	61110-MZ3-770	ZA	ZB	ZC	---				1-L8
104	STRIPE, L. FAIRING	64203-MZ3-770	ZA	ZB	ZC	---				1-L8
105	STRIPE, L. SADDLEBAG	87118-MZ3-770	ZA	ZB	ZC	---				1-L8
106	STRIPE, L. SADDLEBAG LID	81427-MZ3-770	ZA	ZB	ZC	---				1-L9
107	STRIPE, L. SIDE COVER	83715-MZ3-770	ZA	ZB	ZC	---				1-L9
108	STRIPE, L. SIDE SHELTER	83225-MZ3-770	ZA	ZB	ZC	---				1-L9
109	STRIPE, L. TRUNK BOX	81116-MZ3-770	ZA	ZB	ZC	---				1-L8
110	STRIPE, R. FAIRING	64202-MZ3-770	ZA	ZB	ZC	---				1-L8
111	STRIPE, R. SADDLEBAG	87117-MZ3-770	ZA	ZB	ZC	---				1-L8
112	STRIPE, R. SADDLEBAG LID	81227-MZ3-770	ZA	ZB	ZC	---				1-L8
113	STRIPE, R. SIDE COVER	83615-MZ3-770	ZA	ZB	ZC	---				1-L9
114	STRIPE, R. SIDE SHELTER	83215-MZ3-770	ZA	ZB	ZC	---				1-L9
115	STRIPE, R. TRUNK BOX	81115-MZ3-770	ZA	ZB	ZC	---				1-L8
116	STRIPE, TRUNK LID	81122-MZ3-770	ZA	ZB	ZC	---				1-L8

Catalog Title:

GL1500A / GL1500SE / GL1500I '92 '93

COLOR TABLES

GOLD WING Interstate GL1500 I '92 (A) SC226*NA400001 To NA400962 (AC) SC227*NA400001 To NA400183

MODEL			GL1500 I N					
COLOR			Candy spectra red R-176C	Cambridge blue metallic PB-240M	Serial number		Area code	Grid No.
CODE					From	To		
No.	Name of colored parts	Basic part No.	R176	PB240	From	To		
1	BASE ASSY., L. BACK MIRROR	88124-MNS-003	ZN	ZN				1-J5
2	BASE ASSY., R. BACK MIRROR	88114-MNS-003	ZN	ZN				1-J5
3	BODY COMP., L. SADDLEBAG	81410-MWS-870	ZB	ZC				1-K7, 2-D1
4	BODY COMP., R. SADDLEBAG	81210-MWS-870	ZB	ZC				1-K5, 2-C11
5	BODY, L. ARM REST	81156-MNS-000	ZA	ZA				1-K3, 2-C11
6	BODY, R. ARM REST	81154-MNS-000	ZA	ZA				1-K3,
7	BOX COMP., TRUNK	88110-MNS-000	ZN	ZP				1-K1
8	CAP. L. DEFLECTOR	64296-MT2-000	ZN	ZP				1-J9
9	CAP. R. DEFLECTOR	64286-MT2-000	ZN	ZP				1-J9
10	COVER ASSY., L. ENGINE SIDE	83570-MY4-000	ZA	ZA				1-K10
11	COVER ASSY., R. ENGINE SIDE	83520-MY4-000	ZA	ZA				1-K9
12	COVER ASSY., R. POCKET	64225-MNS-010	ZA	ZA				1-J11
13	COVER SET, L. SIDE	83024-MWS-000	ZB	ZA				2-C5
14	COVER SET, R. SIDE	83023-MWS-000	ZB	ZA				2-C4
15	COVER, COMBINATION SWITCH	83160-MNS-000	ZA	ZA				1-G12
16	COVER, FR. FORK	61050-MNS-000	ZA	ZA				1-G3
17	COVER, L. ARM REST	81151-MNS-000	ZA	ZA				1-K2, 2-C10
18	COVER, L. ARM REST (B)	81153-MNS-000	ZA	ZA				1-K3, 2-C10
19	COVER, L. FR. FENDER	61114-MNS-000	ZN	ZP				1-F12
20	COVER, L. FR. WHEEL	44211-MNS-000	ZA	ZA				1-G5
21	COVER, L. LOWER	83562-MNS-000	ZL	ZL				1-K9
22	COVER, L. POCKET	64255-MNS-000	ZA	ZA				1-J11
23	COVER, L. SADDLEBAG LOWER	81414-MNS-000	ZP	ZN				1-K7, 2-D1
24	COVER, L. SIDE	83700-MNS-000	ZN	ZP				1-H5, 2-C5
25	COVER, L. SPEAKER	64247-MNS-000	ZA	ZA				1-F2, 1-L11
26	COVER, L. STEERING HANDLE	53120-MNS-000	ZA	ZA				1-F10
27	COVER, L. UPPER	83561-MY4-000	ZA	ZA				1-K9
28	COVER, R. ARM REST	81150-MNS-000	ZA	ZA				1-K2, 2-C10
29	COVER, R. ARM REST (B)	81152-MNS-000	ZA	ZA				1-K2, 2-C10
30	COVER, R. FR. FENDER	61104-MNS-000	ZN	ZP				1-F12
31	COVER, R. FR. WHEEL	44111-MNS-000	ZA	ZA				1-G5
32	COVER, R. LOWER	83512-MNS-000	ZM	ZM				1-K9
33	COVER, R. SADDLEBAG LOWER	81214-MNS-000	ZP	ZN				1-K5, 2-C11

COLOR TABLES

GOLD WING Interstate GL1500 I '92 (A) SC226*NA400001 To NA400962 (AC) SC227*NA400001 To NA400183

MODEL		GL1500 I H					
COLOR		Candy spectra red R-176C	Cambridge blue metallic PB-240M	Serial number		Area code	Grid No.
CODE				From	To		
No.	Name of colored parts ...	Basic part No.	R176	PB240	From	To	
34	COVER, R. SIDE	83600-MNS-000	ZN	ZP			1-H4, 2-C4
35	COVER, R. SPEAKER	64242-MNS-000	ZA	ZA			1-F2, 1-L10
36	COVER, R. STEERING HANDLE	53110-MNS-000	ZA	ZA			1-F10
37	COVER, R. UPPER	83511-MY4-000	ZA	ZA			1-K9
38	COVER, RADIO CASSETTE	83170-MNS-000	ZA	ZA			1-L1
39	COVER, TRUNK LOWER	81140-MNS-000	ZN	ZP			1-K2, 2-C10
40	COWL SET, L. SIDE UNDER	64023-MWS-000	ZB	ZA			2-C9
41	COWL SET, R. SIDE UNDER	64022-MWS-000	ZB	ZA			2-C8
42	COWL, FR. LOWER	64300-MNS-000	ZL	ZL			1-J9
43	COWL, L. UNDER	64290-MNS-000	ZM	ZN			1-J9, 2-C9
44	COWL, R. UNDER	64280-MNS-000	ZM	ZN			1-J8
45	CUSHION, L. ARM REST	81159-MNS-000	ZA	ZA			1-K3, 2-C11
46	CUSHION, R. ARM REST	81158-MNS-000	ZA	ZA			1-K3
47	DEFLECTOR, L. SIDE	64294-MNS-000	ZN	ZP			1-J9
48	DEFLECTOR, R. SIDE	64284-MNS-000	ZN	ZP			1-J9
49	FAIRING COMP.	64200-MT8-000	ZF	ZG			1-J8
50	FAIRING SET	64021-MY4-870	ZA	ZA			1-L10
51	FENDER A, FR.	61105-MNS-000	ZN	ZP			1-F12, 1-L12
52	FENDER B, FR.	61106-MNS-000	ZN	ZP			1-F12, 1-L12
53	FENDER SET, FR.	61020-MY4-000	ZE	ZD			1-L12
54	FENDER, RR.	80100-MNS-000	ZP	ZN			1-I3, 2-D3
55	GARNISH, SCREEN	64110-MY4-870	ZA	ZA			1-J5
56	GRILLE, L. SPEAKER	64240-MNS-000	ZA	ZA			1-F2, 1-L11
57	GRILLE, R. SPEAKER	64243-MNS-000	ZA	ZA			1-F2, 1-L10
58	GRIP, L. PASSENGER	84120-MNS-000	ZA	ZA			1-H1
59	GRIP, R. PASSENGER	84110-MNS-000	ZA	ZA			1-K10, 2-D3
60	GROMMET, COMBINATION SWITCH	83161-MNS-000	ZA	ZA			1-G12
61	GUARD, FENDER	61102-MNS-000	ZA	ZA			1-F12
62	KNOB, TRUNK POCKET	81166-MNS-000	ZA	ZA			1-K3
63	LABEL, COLOR	87565-MY4-870	ZB	ZC			1-L7
64	LABEL, DRIVE	87560-MT2-300	ZA	ZA			1-L6
65	LABEL, FUEL	87586-MRG-670	ZA	ZA			1-L7

COLOR TABLES

GOLD WING Interstate GL1500 I '92 (A) SC226*NA400001 To NA400962 (AC) SC227*NA400001 To NA400183

MODEL			GL1500 I #					
COLOR			Candy spectra red R-176C	Cambridge blue metallic PB-240M	Serial number		Area code	Grid No.
CODE					From	To		
No.	Name of colored parts	Basic part No.	R176	PB240	From	To		
56	LID COMP., L. SADDLEBAG	81420-MT8-000	ZG	ZH				1-K7, 2-D1
67	LID COMP., R. SADDLEBAG	81220-MT8-000	ZG	ZH				1-K6, 2-C12
68	LID COMP., TRUNK	81120-MN5-000	ZK	ZL				1-K2
69	LID, L. TRUNK POCKET	81165-MN5-000	ZA	ZA				1-K3
70	LID, R. TRUNK POCKET	81164-MN5-000	ZA	ZA				1-F3
71	LID, SHELTER	83131-MN5-000	ZA	ZA				1-G11
72	MIRROR ASSY., L.	88120-MW5-870	ZB	ZB				1-J5
73	MIRROR ASSY., R.	88110-MW5-870	ZB	ZB				1-J5
74	MOULDING, L. COWL TRIM	64214-MN5-000	ZN	ZP				1-J8
75	MOULDING, R. COWL TRIM	64204-MN5-000	ZN	ZP				1-J8
76	OUTLET, FRESH AIR	64480-MN5-000	ZA	ZA				1-F2, 1-L11
77	PANEL, FR. UNDER	64500-MN5-000	ZN	ZP				1-J10
78	PANEL, L. BLIND	83144-MN5-000	ZN	ZP				1-G12, 2-C2
79	PANEL, METER	64240-MT8-000	ZC	ZC				1-F2, 1-L10
80	PANEL, R. BLIND	83139-MW5-870	ZB	ZC				1-G12, 2-C1
81	PLATE, HANDLE COVER SETTING	53111-MN5-000	ZA	ZA				1-F10
82	POCKET ASSY., L. TRUNK	81161-MN5-000	ZA	ZA				1-K3, 2-C11
83	POCKET ASSY., R. TRUNK	81160-MN5-000	ZA	ZA				1-K3, 2-C11
84	PROTECTOR, L. CHAMBER	18415-MW5-870	ZC	ZC				1-H6
85	PROTECTOR, L. EX. PIPE	18425-MW5-000	ZD	ZD				1-H6
86	PROTECTOR, L. RR. EX. PIPE	18326-MN5-000	ZL	ZL				1-H6
87	PROTECTOR, R. CHAMBER	18315-MW5-870	ZC	ZC				1-H6
88	PROTECTOR, R. EX. PIPE	18325-MW5-000	ZD	ZD				1-H6
89	SADDLEBAG & TRUNK SET	86020-MY4-870	ZC	ZB				2-C10, 2-D3
90	SEAT COMP., BACK	77500-MT8-000	ZD	ZD				1-K1
91	SEAT COMP., DOUBLE	77200-MW5-870	ZB	ZB				1-H1
92	SHELTER COMP., L. SIDE	83120-MN5-000	ZM	ZN				1-G11
93	SHELTER COMP., L. SIDE	83120-MW5-870	ZB	ZC				1-G11
94	SHELTER COMP., R. SIDE	83110-MW5-870	ZB	ZC				1-G11
95	SHELTER SET, L. SIDE	83022-MY4-870	ZB	ZA				2-C1
96	SHELTER SET, R. SIDE	83021-MW5-870	ZB	ZA				2-C1
97	SHELTER, TOP	83150-MY4-000	ZA	ZA				1-G12

COLOR TABLES

GOLD WING Interstate GL1500 I '93 (A) SC226*PA500001 To Subsequent (AC) SC227*PA500001 To Subsequent

MODEL			GL1500 I P						
COLOR			Candy spectra red R-176C	Cambridge blue metallic PB-740M	Black-2 NH-1-Z	Serial number		Area code	Grid No.
CODE						From	To		
No.	Name of colored parts	Basic part No.	R176	PB740	NH1Z				
1	BASE ASSY., L. BACK MIRROR	88124-MN5-003	ZN	ZN	ZN				1-J5
2	BASE ASSY., R. BACK MIRROR	88114-MN5-003	ZN	ZN	ZN				1-J5
3	BODY COMP., L. SADDLEBAG	81410-MW5-870	ZB	ZC	ZD				1-K7
4	BODY COMP., R. SADDLEBAG	81210-MW5-870	ZB	ZC	ZD				1-K5
5	BODY, L. ARM REST	81156-MN5-000	ZA	ZA	ZA				1-K3
6	BODY, R. ARM REST	81154-MN5-000	ZA	ZA	ZA				1-K3
7	BOX COMP., TRUNK	80110-MN5-000	ZN	ZP	ZJ				1-K1
8	CAP. L. DEFLECTOR	64295-MT2-000	ZN	ZP	ZJ				1-J9
9	CAP. R. DEFLECTOR	64286-MT2-000	ZN	ZP	ZJ				1-J9
10	COVER ASSY., L. ENGINE SIDE	83570-MY4-000	ZA	ZA	ZA				1-K10
11	COVER ASSY., R. ENGINE SIDE	83520-MY4-000	ZA	ZA	ZA				1-K9
12	COVER ASSY., R. POCKET	64225-MZ3-000	ZA	ZA	ZA				1-J11
13	COVER, COMBINATION SWITCH	83160-MN5-000	ZA	ZA	ZA				1-G12
14	COVER, FR. FORK	61050-MN5-000	ZA	ZA	ZA				1-G3
15	COVER, L. ARM REST	88151-MN5-000	ZA	ZA	ZA				1-K2
16	COVER, L. ARM REST (B)	81153-MN5-000	ZA	ZA	ZA				1-K3
17	COVER, L. FR. FENDER	61114-MN5-000	ZN	ZP	ZJ				1-F12
18	COVER, L. FR. WHEEL	44211-MN5-000	ZA	ZA	ZA				1-G5
19	COVER, L. LOWER	83562-MN5-000	ZL	ZL	ZL				1-K9
20	COVER, L. POCKET	64255-MN5-000	ZA	ZA	ZA				1-J11
21	COVER, L. SADDLEBAG LOWER	81414-MN5-000	ZP	ZN	ZJ				1-K7
22	COVER, L. SIDE	83700-MN5-000	ZN	ZP	ZJ				1-H5
23	COVER, L. SPEAKER	64247-MN5-000	ZA	ZA	ZA				1-L11
24	COVER, L. STEERING HANDLE	53120-MN5-000	ZA	ZA	ZA				1-F10
25	COVER, L. UPPER	83561-MY4-000	ZA	ZA	ZA				1-K9
26	COVER, R. ARM REST	81150-MN5-000	ZA	ZA	ZA				1-K2
27	COVER, R. ARM REST (B)	81152-MN5-000	ZA	ZA	ZA				1-K2
28	COVER, R. FR. FENDER	61104-MN5-000	ZN	ZP	ZJ				1-F12
29	COVER, R. FR. WHEEL	44111-MN5-000	ZA	ZA	ZA				1-G5

COLOR TABLES

GOLD WING Interstate GL1500 I '93 (A) SC226*PA500001 To Subsequent (AC) SC227*PA500001 To Subsequent

MODEL			GL1500 I P						
COLOR			Candy spectra red R-176C	Cambridge blue metallic PB-249M	Black-Z NH-1-Z	Serial number		Area code	Grid No.
CODE						From	To		
No.	Name of colored parts	Basic part No.	R176	PB249	NH1Z				
30	COVER, R. LOWER	83512-MN5-000	ZM	ZM	ZM				1-K9
31	COVER, R. SADDLEBAG LOWER	81214-MN5-000	ZP	ZN	ZJ				1-K5
32	COVER, R. SIDE	83600-MN5-000	ZN	ZP	ZJ				1-H4
33	COVER, R. SPEAKER	64242-MN5-000	ZA	ZA	ZA				1-F2
34	COVER, R. STEERING HANDLE	53110-MN5-000	ZA	ZA	ZA				1-F10
35	COVER, R. UPPER	83511-L-14-000	ZA	ZA	ZA				1-K9
36	COVER, RADIO CASSETTE	83170-MN5-000	ZA	ZA	ZA				1-L1
37	COVER, TRUNK LOWER	81140-MN5-000	ZN	ZP	ZJ				1-K2
38	COWL, FR. LOWER	64300-MN5-000	ZL	ZL	ZL				1-J9
39	COWL, L. UNDER	64290-MN5-000	ZM	ZN	ZH				1-J9
40	COWL, R. UNDER	64280-MN5-000	ZM	ZN	ZH				1-J8
41	CUSHION, L. ARM REST	81159-MN5-000	ZA	ZA	ZA				1-K3
42	CUSHION, R. ARM REST	81158-MN5-000	ZA	ZA	ZA				1-K3
43	DEFLECTOR, L. SIDE	64294-MN5-000	ZN	ZP	ZJ				1-J9
44	DEFLECTOR, R. SIDE	64294-MN5-000	ZN	ZP	ZJ				1-J9
45	FAIRING COMP.	64200-MT8-000	ZF	ZG	ZD				1-J8
46	FENDER A, FR.	61105-MN5-000	ZN	ZP	ZJ				1-F12
47	FENDER A, RR.	80100-MN5-000	ZP	ZN	ZJ				1-I4
48	FENDER B, FR.	61106-MN5-000	ZN	ZP	ZJ				1-F12
49	GRILLE, L. SPEAKER	64248-MN5-000	ZA	ZA	ZA				1-F2
50	GRILLE, R. SPEAKER	64243-MN5-000	ZA	ZA	ZA				1-F2
51	GRIP, L. PASSENGER	84120-MN5-000	ZA	ZA	ZA				1-H1
52	GRIP, R. PASSENGER	84110-MN5-000	ZA	ZA	ZA				1-H1
53	GROMMET, COMBINATION SWITCH	83161-MN5-000	ZA	ZA	ZA				1-G12
54	GUARD, FENDER	61102-MN5-000	ZA	ZA	ZA				1-F12
55	KNOB, TRUNK POCKET	81166-MN5-000	ZA	ZA	ZA				1-K3
56	LABEL, COLOR	87565-MZ3-870	ZA	ZB	ZC				1-L7
57	LABEL, DRIVE	87566-MW0-670	ZA	ZA	ZA				1-L6
58	LABEL, FUEL	87586-MR6-670	ZA	ZA	ZA				1-L7

COLOR TABLES

GOLD WING Interstate GL1500 I '93 (A) SC226*PA500001 To Subsequent (AC) SC227*PA500001 To Subsequent

MODEL			GL1500 I P						
COLOR			Candy spectra red R-176C	Cambridge blue metallic PB-240M	Black-Z NH-1-Z	Serial number		Area code	Grid No.
CODE						From	To		
No.	Name of colored parts	Basic part No.	R176	PB240	NH1Z	From	To		
59	LABEL, HELMET HOLDER	87511-MW0-070	ZA	ZA	ZA				I-L6
60	LID COMP., L. SADDLEBAG	81420-MT8-000	ZG	ZH	ZD				I-K7
61	LID COMP., R. SADDLEBAG	81220-MT8-000	ZG	ZH	ZD				I-K6
62	LID COMP., TRUNK	81120-MN5-000	ZK	ZL	ZH				I-K2
63	LID, L. TRUNK POCKET	81165-MN5-000	ZA	ZA	ZA				I-K3
64	LID, R. TRUNK POCKET	81164-MN5-000	ZA	ZA	ZA				I-K3
65	LID, SHELTER	83131-MN5-000	ZA	ZA	ZA				I-G11
66	MIRROR ASSY., L.	88120-MW5-870	ZB	ZB	ZB				I-J5
67	MIRROR ASSY., R.	88110-MW5-870	ZB	ZB	ZB				I-J5
68	MOULDING, L. COWL TRIM	64214-MN5-000	ZN	ZP	ZJ				I-J8
69	MOULDING, R. COWL TRIM	64204-MN5-000	ZN	ZP	ZJ				I-J8
70	OUTLET, FRESH AIR	64480-MN5-000	ZA	ZA	ZA				I-F2
71	PANEL, FR. UNDER	64500-MN5-000	ZN	ZP	ZJ				I-J10
72	PANEL, L. BLIND	83149-MN5-000	ZN	ZP	ZJ				I-G12
73	PANEL, METER	64240-MT8-000	ZC	ZC	ZC				I-F2
74	PANEL, R. BLIND	83139-MW5-870	ZB	ZC	ZD				I-G12
75	PLATE, HANDLE COVER SETTING	53111-MN5-000	ZA	ZA	ZA				I-F10
76	POCKET ASSY., L. TRUNK	81161-MN5-000	ZA	ZA	ZA				I-K3
77	POCKET ASSY., R. TRUNK	81160-MN5-000	ZA	ZA	ZA				I-K3
78	PROTECTOR, L. CHAMBER	18415-MW5-870	ZC	ZC	ZC				I-H6
79	PROTECTOR, L. EX. PIPE	18425-MW5-000	ZD	ZD	ZD				I-H6
80	PROTECTOR, L. RR. EX. PIPE	18336-MN5-000	ZL	ZL	ZL				I-H6
81	PROTECTOR, R. CHAMBER	18315-MW5-870	ZC	ZC	ZC				I-H6
82	PROTECTOR, R. EX. PIPE	18325-MW5-000	ZD	ZD	ZD				I-H6
83	SEAT COMP., BACK	77500-MN5-000	ZA	ZA	ZA				I-K1
84	SEAT COMP., DOUBLE	77200-MW5-870	ZB	ZB	ZB				I-H1
85	SHELTER COMP., L. SIDE	83120-MW5-870	ZB	ZC	ZD				I-G11
86	SHELTER COMP., R. SIDE	83110-MW5-870	ZB	ZC	ZD				I-G11
87	SHELTER, TOP	83150-MY4-000	ZA	ZA	ZA				I-G12

SELECTION TABLES

Main bearing selection
(Oil clearance 27~45 μm)

(Block No. E-17)

Crankshaft O.D. 50 \varnothing		Crankcase I.D. 54 \varnothing		I	II	III
				0~+0.006	+0.006~+0.012	+0.012~+0.018
1	-0.006~-0.012	YELLOW	GREEN	BROWN		
2	-0.012~-0.018	GREEN	BROWN	BLACK		
3	-0.018~-0.024	BROWN	BLACK	BLUE		

Connecting rod bearing selection
(Oil clearance 28~46 μm)

(Block No. E-17)

Crank pin O.D. 44 \varnothing		Connecting rod I.D. 47 \varnothing		
		1	2 or II	3 or III
		0~+0.006	+0.006~+0.012	+0.012~+0.018
A	-0.006~-0.012	YELLOW	GREEN	BROWN
B	-0.012~-0.018	GREEN	BROWN	BLACK
C	-0.018~-0.024	BROWN	BLACK	BLUE

Selection table for lock or blank key

Refer to the following selection table to select the lock or blank key.

(Block No. F-7)

Type	Key No.
TYPE 1	A** , B**
TYPE 2	C** , D**

* : 0, 1, 2, 3, 4, 5, 6, 7, 8 or 9

Color chart for stripe

(GL1500SE '92)

(Block No. F-57)

Type	Main color	Position
		A
TYPE 1	Barbados blue metallic (B-134M)	Blue metallic

Color chart for stripe

(GL1500SE '93)

(Block No. F-57-1)

Type	Main color	Position
		A
TYPE 1	Barbados blue metallic (B-134M)	Aqua silver metallic
TYPE 2	Pearl coronado blue (PB-255P)	Light blue metallic
TYPE 3	Pearl glacier white (NH-326P)	Beige metallic

Catalog Title:

GL1500A / GL1500SE / GL1500I '92 '93**MANUALS**

DESCRIPTION	QTY. REQ.	MANUAL NUMBER	H/C
GL1500A '92 Owner's manual	1	31MY4800	3820735
GL1500SE '92 Owner's manual	1	31MY4600	3820727
GL1500 I '92 Owner's manual	1	31MY4900	3965662
GL1500A, SE, I '93 Owner's manual	1	31MZ3600	4079570
GL1500A, SE, I '92 Service manual	1	61MY400-AH	3820818
GL1500A, SE, I '93 Service manual	1	61MZ300-AH	4109641

SPECIFICATIONS

SECTION/SUBJECT	GL1500A '92	GL1500A '93
ENGINE		
Configuration/Cylinders.....	6 cylinders	
Strokes.....	4 strokes	
Cooling.....	Water cooled	
Camshaft.....	OHC	
Displacement.....	1520 cc	
Lubrication system.....	Wet sump	
Carburetor.....	12.4 in (36 mm)	
Main jet.....	# 148	
Slow jet.....	# 65	
TRANSMISSION		
Transmission type.....	Constant mesh	
Transmission speeds.....	5 Speeds	
Clutch.....	Wet, multi-plate	
Shift pattern.....	1-N-2-3-4-OD	
CHASSIS		
Fuel tank capacity (Std).....	6.3 U.S. gal (24.0 liters)	
Fuel tank capacity (Res).....	1.0 U.S. gal (3.8 liters)	
Air filter type.....	Paper	
Front brake.....	Double disc	
Rear brake.....	Single disc	
Front tire.....	130/70-18 63H	
Tire pressure.....	33 PSI	
Rear tire.....	160/80-16 75H	
Tire pressure.....	41 PSI	
SERVICE/TUNING		
Ignition type.....	Full transistor	
Spark plug gap.....	0.031-0.035 in (0.8-0.9 mm)	
LUBRICANTS		
Recommended fuel.....	86 Octane or higher	
Engine oil - Pro Honda		
GN4 10W40.....	08206-1040	
GN4 20W50.....	08206-2050	
Engine oil capacity:		
After draining.....	3.9 U.S. qt (3.7 liters)	
After reassembly.....	4.5 U.S. qt (4.3 liters)	
Coolant - Pro Honda.....	08204-0032	
Ratio.....	50/50	
Capacity.....	4.3 U.S. qt (4.1 liters)	
Drive shaft oil:		
Pro Honda Gear oil SAE 80W.....	08208-0080	
Capacity: After draining.....	4.7 U.S. oz (140 cc)	
After reassembly.....	5.7 U.S. oz (170 cc)	
Fork oil.....	ATF	
After reassembly.....	Left 10.9 U.S. oz (325 cc) Right 10.8 U.S. oz (320 cc)	
Drake fluid - Pro Honda DOT 4.....	08203-0004	
Hydraulic clutch fluid - Pro Honda DOT 4 brake fluid.....	08203-0004	

REMARKS

REMARKS: SPECIFICATIONS LISTENING TO BE PROVIDED AT A LATER DATE.

SPECIFICATIONS

SECTION/SUBJECT	GL1500SE '92	GL1500SE '93
ENGINE		
Configuration/Cylinders.....	6 Cylinders	
Strokes.....	4 strokes	
Cooling.....	Water cooled	
Camshaft.....	OHC	
Displacement.....	1520 cc	
Lubrication system.....	Wet sump	
Carburetor.....	12.4 in (36 mm)	
Main jet.....	# 148	
Slow jet.....	# 65	
TRANSMISSION		
Transmission type.....	Constant mesh	
Transmission speeds.....	5 Speeds	
Clutch.....	Wet, multi-plate	
Shift pattern.....	1-N-2-3-4-OD	
CHASSIS		
Fuel tank capacity (Std).....	6.3 U.S. gal (24.0 liters)	
Fuel tank capacity (Res).....	1.0 U.S. gal (3.8 liters)	
Air filter type.....	Paper	
Front brake.....	Double disc	
Rear brake.....	Single disc	
Front tire.....	130/70-18 63H	
Tire pressure.....	33 PSI	
Rear tire.....	160/80-16 75H	
Tire pressure.....	41 PSI	
SERVICE/TUNING		
Ignition type.....	Full transistor	
Spark plug gap.....	0.031-0.035 in (0.8-0.9 mm)	
LUBRICANTS		
Recommended fuel.....	86 Octane or higher	
Engine oil - Pro Honda		
GN4 10W40.....	08206-1040	
GN4 20W50.....	08206-2050	
Engine oil capacity:		
After draining.....	3.9 U.S. qt (3.7 liters)	
After reassembly.....	4.5 U.S. qt (4.3 liters)	
Coolant-Pro Honda.....	08204-0032	
Ratio.....	50/50	
Capacity.....	4.3 U.S. qt (4.1 liters)	
Drive shaft oil-		
Pro Honda Gear oil SAE 80W.....	08208-0080	
Capacity: After draining.....	4.7 U.S. oz (140 cc)	
After reassembly.....	5.7 U.S. oz (170 cc)	
Fork oil.....	ATF	
After reassembly.....	Left 10.9 U.S. oz (325 cc) Right 10.8 U.S. oz (320 cc)	
Drake fluid - Pro Honda DOT 4.....	08203-0004	
Hydraulic clutch fluid -		
Pro Honda DOT 4 brake fluid.....	08203-0004	

REMARKS

REMARKS: SPECIFICATIONS LISTENING TO BE PROVIDED AT A LATER DATE.

SPECIFICATIONS

SECTION/SUBJECT	GL1500I '92	GL1500I '93
ENGINE		
Configuration/Cylinders.....	6 Cylinders	
Strokes.....	4 strokes	
Cooling.....	Water cooled	
Camshaft.....	OHC	
Displacement.....	1520 cc	
Lubrication system.....	Wet sump	
Carburetor.....	12.4 in (36 mm)	
Main jet.....	# 148	
Slow jet.....	# 65	
TRANSMISSION		
Transmission type.....	Constant mesh	
Transmission speeds.....	5 Speeds	
Clutch.....	Wet, multi-plate	
Shift pattern.....	1-N-2-3-4-OD	
CHASSIS		
Fuel tank capacity (Std).....	6.3 U.S. gal (24.0 liters)	
Fuel tank capacity (Res).....	1.0 U.S. gal (3.8 liters)	
Air filter type.....	Paper	
Front brake.....	Double disc	
Rear brake.....	Single disc	
Front tire.....	130/70-18 63H	
Tire pressure.....	33 PSI	
Rear tire.....	160/80-16 75H	
Tire pressure.....	41 PSI	
SERVICE/TUNING		
Ignition type.....	Full transistor	
Spark plug gap.....	0.031-0.035 in (0.8-0.9 mm)	
LUBRICANTS		
Recommended fuel.....	86 Octane or higher	
Engine oil - Pro Honda		
GN4 10W40.....	08206-1040	
GN4 20W50.....	08206-2050	
Engine oil capacity:		
After draining.....	3.9 U.S. qt (3.7 liters)	
After reassembly.....	4.5 U.S. qt (4.3 liters)	
Coolant - Pro Honda.....	08204-0032	
Ratio.....	50/50	
Capacity.....	4.3 U.S. qt (4.1 liters)	
Drive shaft oil:		
Pro Honda Gear oil SAE 80W.....	08208-0080	
Capacity: After draining.....	4.7 U.S. oz (140 cc)	
After reassembly.....	5.7 U.S. oz (170 cc)	
Fork oil.....	ATF	
After reassembly.....	Left 10.9 U.S. oz (325 cc) Right 10.8 U.S. oz (320 cc)	
Drake fluid - Pro Honda DOT 4.....	08203-0094	
Hydraulic clutch fluid:		
Pro Honda DOT 4 brake fluid.....	08203-0004	

REMARKS

REMARKS: SPECIFICATIONS LISTENING TO BE PROVIDED AT A LATER DATE.

Catalog Title:

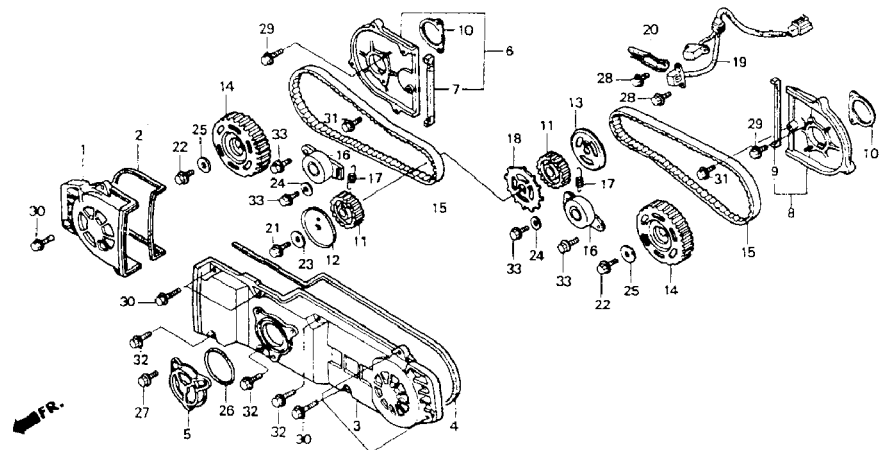
GL1500A / GL1500SE / GL1500I '92 '93

Block No.

E 01

Block Title:

FRONT COVER



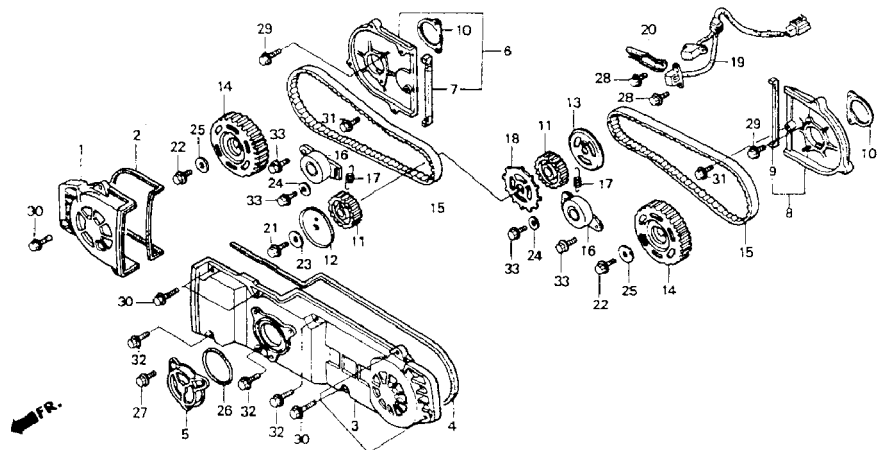
Ref. No.	Part No.	Description
1	11511-MN5-000	COVER, R. FR.
2	11514-MN5-000	GASKET, R. FR. COVER
3	11521-MN5-010	COVER, L. FR.
4	11524-MN5-000	GASKET, L. FR. COVER
5	11531-MN5-000	COVER, TIMING
6	11540-MN5-000	CVR, R. TIMING BELT
7	11542-MN5-300	GASKET, R.
8	11550-MN5-000	CVR, L. TIMING BELT
9	11552-MN5-300	GASKET, L.
10	11561-MN5-650	GASKET
11	13621-MN5-003	PULLEY
12	13622-MN5-000	PLATE
13	13623-MN5-000	PLATE
14	14210-MN5-000	PULLEY COMP.
15	14401-MN5-004	BELT, TIMING
16	14510-MG9-008	ADJ, TIMING BELT
17	14516-MN5-000	SPRING
18	30291-MN5-000	ROTOR, PULSER
19	30300-MN5-003	ALTERNATOR, PULSE
20	30305-MN5-000	CLAMP, PULSER WIRE
21	90005-MN5-000	BOLT, FLANGE (12X30)
22	90006-MN5-000	BOLT, FLANGE (8X20)
23	90402-MN5-000	WASHER (12X33X4)
24	90406-371-000	WASHER (8MM)
25	90435-611-000	WASHER (28X8.5X4.0)

Catalog Title:
GL1500A / GL1500SE / GL1500I '92 '93

Block No.
E 01

Block Title:
FRONT COVER

Ref. No.	Part No.	Description
26	91319-MN5-003	O-RING (82X3)
27	95701-06014-08	BOLT, FLANGE (6X14)
28	95701-06016-08	BOLT, FLANGE (6X16)
29	95701-06020-08	BOLT, FLANGE (6X20)
30	95701-06025-08	BOLT, FLANGE (6X25)
31	95701-06028-08	BOLT, FLANGE (6X28)
32	95701-06032-08	BOLT, FLANGE (6X32)
33	95701-08022-08	BOLT, FLANGE (8X22)

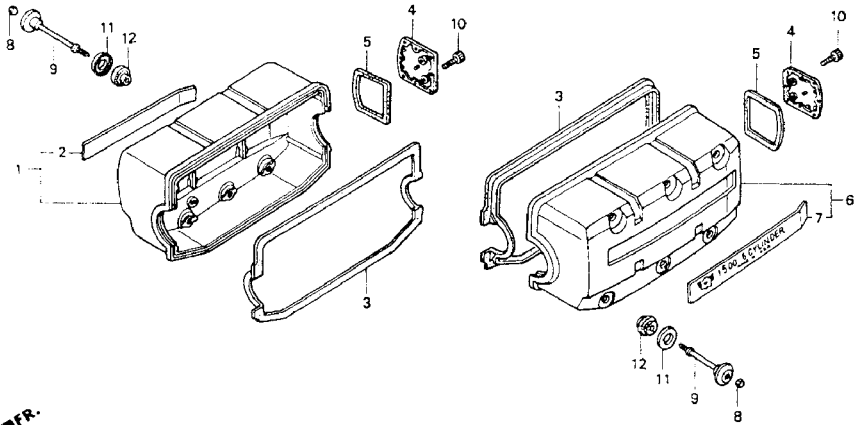


Catalog Title:
GL1500A / GL1500SE / GL1500I '92 '93

Block No.
E 02

Block Title:
CYLINDER HEAD COVER

Ref. No.	Part No.	Description
1	12310-MT8-770	COVER, R. CYL HD - A'92'93, i'92'93
1	12310-MW5-770	COVER, R. CYL HD - SE'92'93
2	12313-MT8-770	EMBLEM, R. - A'92'93, i'92'93
2	12313-MW5-770	EMBLEM, R. - SE'92'93
3	12314-MAF-000	GASKET, HEAD COVER
3	12314-MN5-000	GASKET, HEAD COVER
4	12317-MN5-000	COVER, RR. CYL HD
5	12318-MN5-000	GASKET, RR.
6	12320-MT8-770	COVER, L. CYL HD - A'92'93, i'92'93
6	12320-MW5-770	COVER, L. CYL HD - SE'92'93
7	12323-MT8-770	EMBLEM, L. - A'92'93, i'92'93
7	12323-MW5-770	EMBLEM, L. - SE'92'93
8	12392-MJ0-000	PLUG, HEX. (6MM)
9	90018-MN5-000	BOLT, SPECIAL (6X72)
10	90040-MN5-000	BOLT, SOCKET (6X18)
11	90541-MB0-000	WASHER
12	90542-MB0-000	RUBBER, SETTING



Catalog Title:

GL1500A / GL1500SE / GL1500I '92 '93

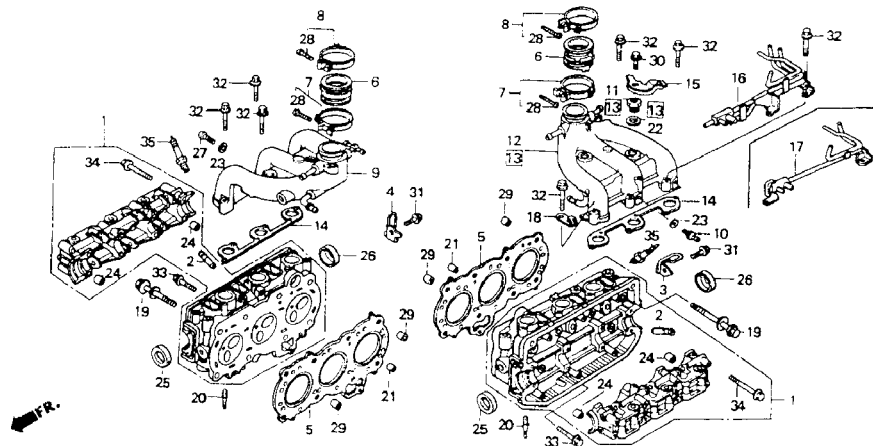
Block No.

E 03

Block Title:

CYLINDER HEAD

Ref. No.	Part No.	Description
1	12200-MT8-000	CYLINDER HEAD ASSY. - '92
1	12200-MT8-010	CYLINDER HEAD ASSY. - '93
2	12204-MN5-305	GUIDE, VALVE (OS)
3	12214-MN5-000	CLAMP, TUBE
4	12215-MT2-000	CLAMP, TUBE
5	12251-MN5-004	GASKET, CYL HD
5	12251-MN5-013	GASKET, CYL HD
5	12251-MN5-305	GASKET (0.75/1.00)
6	16211-MN5-000	INSULATOR
7	16218-MN5-000	BAND A, INSULATOR
8	16219-MN5-000	BAND B, INSULATOR
9	17110-MY4-000	MANIFOLD, R. IN.
10	17113-MT8-000	JOINT
11	17116-MT2-740	BOLT, SEALING (20MM)
12	17120-MY4-000	MANIFOLD, L. IN.
13	17120-MY4-740	MANIFOLD, L. IN.
14	17231-MN5-003	GASKET, IN. MANIFOLD
14	17231-MN5-004	GASKET, IN. MANIFOLD
15	17303-MT2-740	STAY, AIR VENT PIPE
16	17380-MT8-000	PIPE A, INSTALL -A'92'93, SE'92'93
17	17380-MW5-870	PIPE A, INSTALL - i'92'93
18	32170-443-850	CLIP, WIRE HARNESS
18	91403-663-000	CLAMP
19	90010-MT8-003	BOLT, FLANGE (9X91)
20	90035-MN5-000	BOLT, STUD (8/6X40)

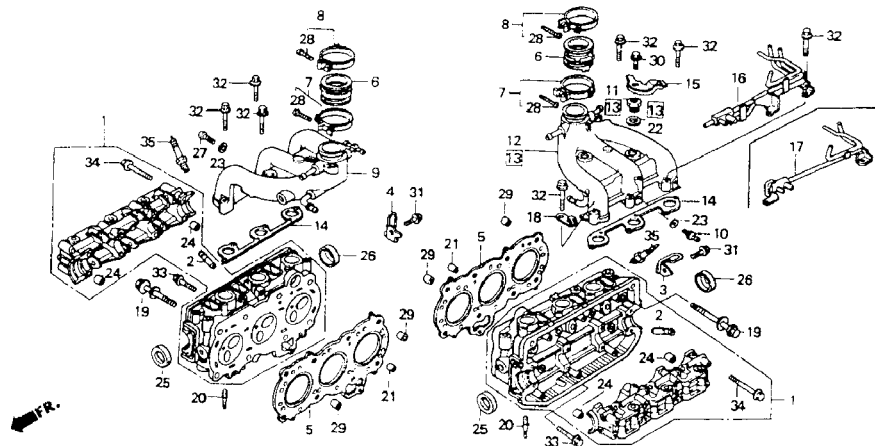


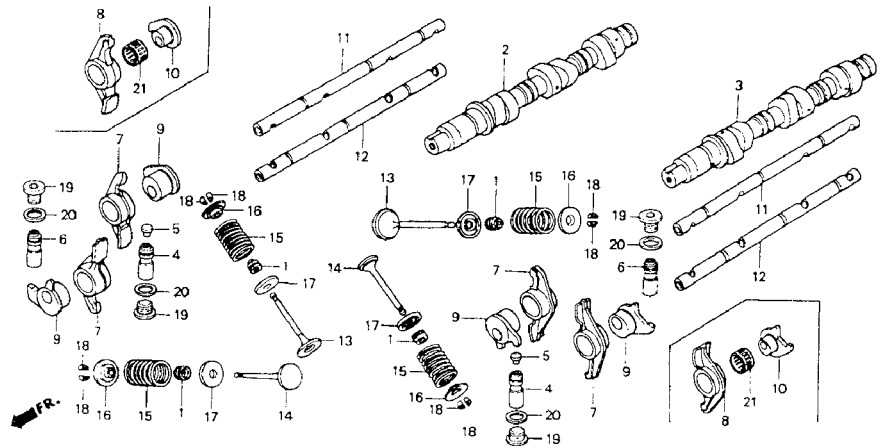
Catalog Title:
GL1500A / GL1500SE / GL1500I '92 '93

Block No.
E 03

Block Title:
CYLINDER HEAD

Ref. No.	Part No.	Description
21	90084-MN5-000	ORIFICE (2.0)
22	90441-MN5-000	WASHER (20MM)
23	90452-323-000	WASHER (5MM)
24	90701-GB4-680	PIN, DOWEL (10X13.5)
25	91209-371-003	OIL SEAL (27X43X9)
26	91209-463-013	SEAL, CAP (43X9)
27	93500-05008-0A	SCREW, PAN (5X8)
28	93500-05025-0G	SCREW, PAN (5X25)
29	94301-12200	PIN, DOWEL (12X20)
30	95701-06010-08	BOLT, FLANGE (6X10)
31	95701-06014-08	BOLT, FLANGE (6X14)
32	95701-06035-08	BOLT, FLANGE (6X35)
33	95701-06040-08	BOLT, FLANGE (6X40)
34	95701-08080-00	BOLT, FLANGE (8X80)
35	98069-56916	S/PLG (DPR6EA-9)
35	98069-56926	S/PLG (X20EPR-U9)
35	98069-57916	S/PLG (DPR7EA-9)
35	98069-57926	S/PLG (X22EPR-U9)
35	98069-58916	S/PLG (DPR8EA-9)
35	98069-58926	S/PLG (X24EPR-U9)



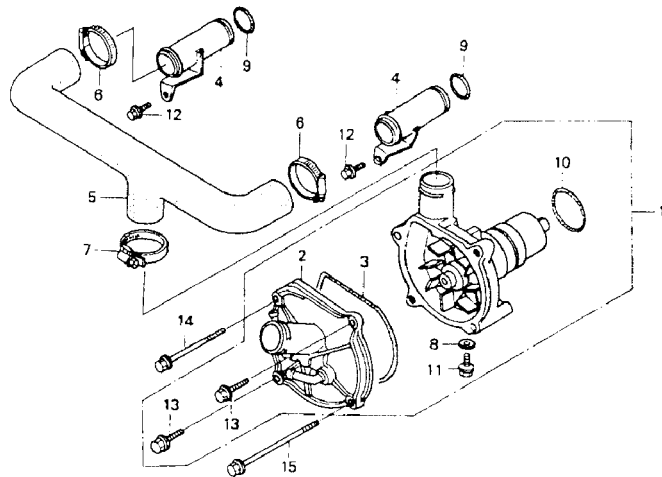


Ref. No.	Part No.	Description
1	12209-422-005	SEAL, VALVE STEM
2	14110-MT8-000	CAMSHAFT COMP., R.
3	14120-MT8-000	CAMSHAFT COMP., L.
4	14450-MN5-000	ADJUSTER
5	14454-MN5-000	CAP
6	14460-MN5-000	ADJUSTER
7	14611-MN5-000	ARM, VALVE ROCKER - '92
8	14611-MZ3-000	ARM, VALVE ROCKER - '93
9	14621-MT8-000	LOBE - '92
10	14621-MZ3-003	LOBE - '93
11	14630-MN5-010	SHAFT COMP.
12	14640-MN5-010	SHAFT COMP.
13	14711-MT2-000	VALVE, IN. - '92
13	14711-MZ3-000	VALVE, IN. - '93
14	14721-MN5-000	VALVE, EX. - '92
14	14721-MZ3-000	VALVE, EX.
15	14761-MN5-000	SPRING, VALVE
16	14771-MN5-000	RETAINER, VLV SPR
17	14775-MN5-000	SEAT, VALVE SPRING
18	14781-MB4-000	COTTER, VALVE
19	90032-MG9-000	BOLT
20	90491-MG9-000	SHIM (1.0)
21	91012-MZ3-003	BEARING (21X25X15.8) - '93

Catalog Title:
GL1500A / GL1500SE / GL1500I '92 '93

Block No.
E 05

Block Title:
WATER PUMP



Ref. No.	Part No.	Description
1	19200-MY4-010	WATER PUMP ASSY.
1	19200-MY4-020	WATER PUMP ASSY.
2	19221-MY4-010	COVER, WATER PUMP
3	19226-MN5-000	GASKET
4	19411-MN5-000	PIPE, WATER INLET
5	19414-MN5-000	HOSE, WATER INLET
6	19503-MB1-870	CLAMP, WATER HOSE
7	19515-MJ4-670	CLAMP, WATER HOSE
8	90463-ML7-000	WASHER (6.5MM)
9	91301-147-023	O-RING (18.3X2.3)
10	91302-MB0-013	O-RING (32.95X2.62)
11	95701-06012-08	BOLT, FLANGE (6X12)
12	95701-06014-08	BOLT, FLANGE (6X14)
13	95701-06025-08	BOLT, FLANGE (6X25)
14	95701-06060-08	BOLT, FLANGE (6X60)
15	95701-06095-08	BOLT, FLANGE (6X95)

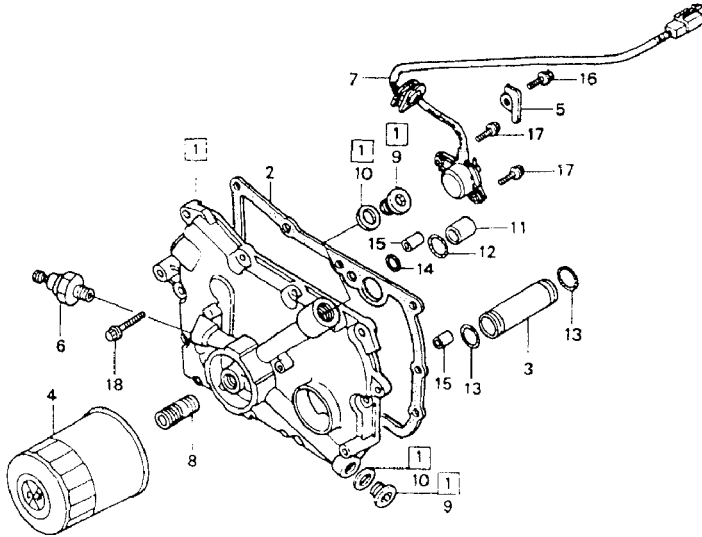
FR.

Catalog Title:
GL1500A / GL1500SE / GL1500I '92 '93

Block No.
E 06

Block Title:
TRANSMISSION COVER

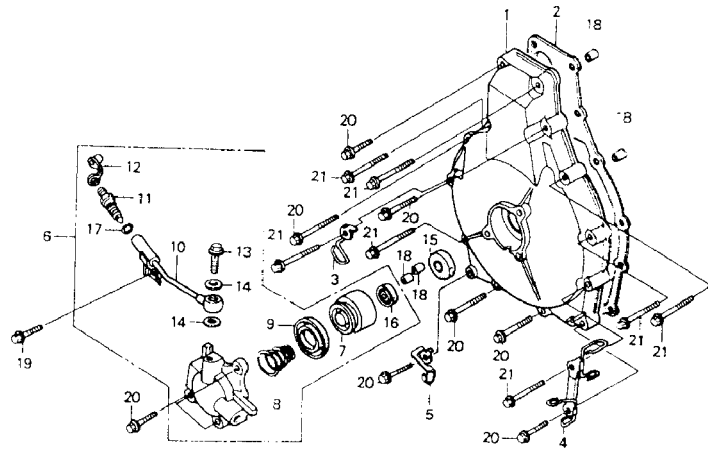
Ref. No.	Part No.	Description
1	11360-MN5-000	COVER, TRANSMISSION
2	11391-MN5-650	GASKET, TRANS CVR
3	15311-MN5-000	PIPE, OIL PATH
4	15410-MM9-013	FILTER, OIL
4	15410-MM9-405	FILTER, OIL
5	30411-MN5-000	CLAMP
6	35500-MJ4-024	SWITCH, OIL PRESSURE
7	35759-MY4-000	SWITCH ASSY., CHANGE
8	90019-MB0-000	BOSS, OIL FILTER
9	90048-MN5-000	BOLT, SEALING (20MM)
10	90441-MN5-000	WASHER (20MM)
11	90706-MN5-000	PIN, DOWEL (14X12)
12	91303-MG7-003	O-RING (13.8X2.5)
12	91303-377-000	O-RING (13.8X2.5)
12	91303-426-000	O-RING (13.8X2.5)
13	91301-MC7-003	O-RING (15.8X2.5)
13	91305-MN5-003	O-RING (15.9X2.4)
14	91315-MN5-004	O-RING (5.4X3.2)
15	94301-08140	PIN, DOWEL (8X14)
16	95701-06014-08	BOLT, FLANGE (6X14)
17	95701-06016-08	BOLT, FLANGE (6X16)
18	95701-06025-08	BOLT, FLANGE (6X25)



Catalog Title:
GL1500A / GL1500SE / GL1500I '92 '93

Block No.
E 07

Block Title:
CLUTCH COVER



Ref. No.	Part No.	Description
1	11341-MN5-000	COVER, CLUTCH
2	11351-MN5-651	GASKET, CLUTCH COVER
3	11352-MY4-000	CLAMP A, TUBE
4	11354-MT2-000	CLAMP, TUBE
5	17127-MT2-000	CLAMP
6	22860-MN5-000	CYLINDER, SLAVE
7	22863-MJ8-003	PISTON
8	22864-MB0-003	SPRING
9	22865-MJ8-003	CUP, PISTON
10	22867-MN5-000	PIPE, BLEEDER
11	43352-MG9-006	SCREW, BLEEDER
12	43353-MG9-006	CAP, BLEEDER SCREW
12	43353-443-761	CAP, BLEEDER SCREW
12	43353-461-771	CAP, BLEEDER
13	90145-KM3-750	BOLT, OIL (10X22)
13	90145-KM3-751	BOLT, OIL (10X22)
14	90545-300-000	WASHER, OIL BOLT
15	91204-MB0-013	OIL SEAL (8X25X8)
16	91209-MB0-003	OIL SEAL (8X18X5)
17	91355-MG9-006	O-RING
18	94301-08140	PIN, DOWEL (8X14)
19	95701-06014-08	BOLT, FLANGE (6X14)
20	95701-06028-08	BOLT, FLANGE (6X28)
21	95701-06040-08	BOLT, FLANGE (6X40)

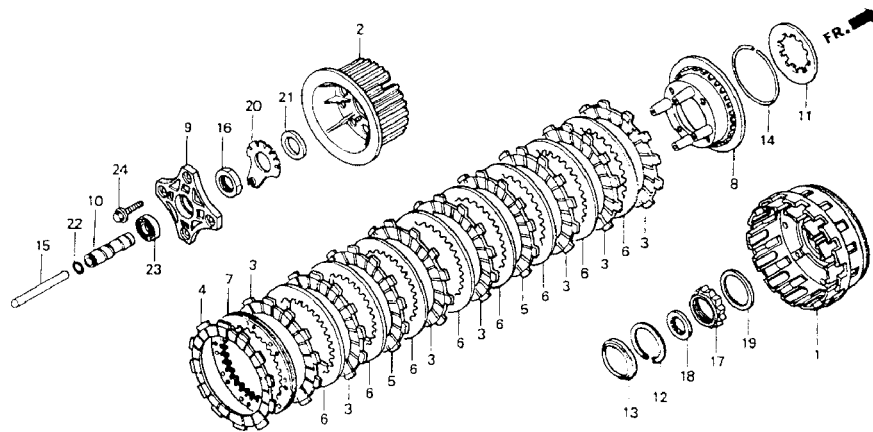
Catalog Title:

GL1500A / GL1500SE / GL1500I '92 '93

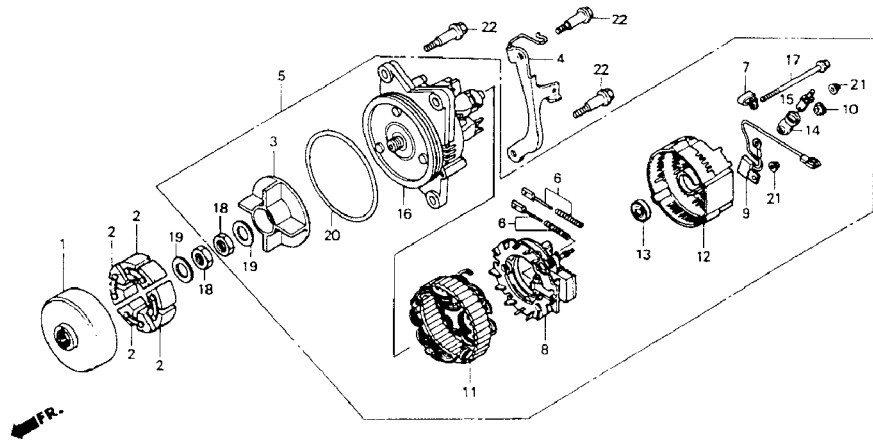
Block No.

E 08

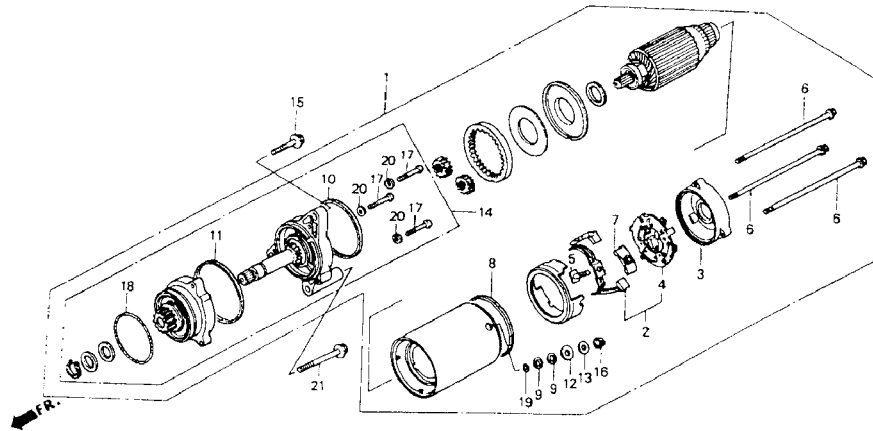
Block Title:

CLUTCH

Ref. No.	Part No.	Description
1	22100-MT8-000	CLUTCH OUTER COMP.
2	22120-MT8-000	CENTER COMP., CLUTCH
3	22201-MT8-000	DISK A, CL FRICTION
4	22202-MT8-000	DISK B, CL FRICTION
5	22203-MT8-000	DISK C, CL FRICTION
6	22321-MN5-000	PLATE A, CLUTCH
7	22322-MN5-000	PLATE B, CLUTCH
8	22350-MN5-000	PLATE (30T)
9	22361-MN5-000	PLATE, CLUTCH LIFTER
10	22366-MN5-000	PIECE, CLUTCH END
11	22402-MN5-000	SPRING, CLUTCH
12	22422-MN5-000	RING
13	22423-MN5-000	SEAT, CLUTCH SPRING
14	22425-MN5-000	SEAT, CLUTCH SPRING
15	22851-MN5-010	ROD, CLUTCH LIFTER
16	90206-MN5-000	NUT (22MM)
17	90245-MN5-000	NUT, LOCK (40MM)
18	90403-MN5-000	WASHER (25MM)
19	90491-MN5-000	WASHER (40MM)
20	90496-MN5-010	WASHER, LOCK (22MM)
21	90498-MN5-000	WASHER (22.2X35.2.6)
22	90602-KE1-000	CLIP (10.6)
23	91008-MN5-003	BEARING (6201)
24	95701-06018-08	BOLT, FLANGE (6X18)
24	95801-06018-08	BOLT, FLANGE (6X18)



Ref. No.	Part No.	Description
1	13531-MT8-000	CONNECTOR, ALTNTR
2	13534-MN5-020	RUBBER
3	13541-MN5-000	CONNECTOR, ALTNTR
4	17305-MT2-740	CLAMP, PCV TUBE
5	31100-MT2-005	ALTERNATOR ASSY.
6	31101-MN5-005	BRUSH, ALTERNATOR
7	31103-MN5-005	CLAMP
8	31105-MN5-005	RECTIFIER, REGULATE
9	31108-MN5-005	WIRE, ALTERNATOR
10	31109-MN5-005	CAP, TERMINAL
11	31110-MN5-005	CORE COMP., STATOR
12	31112-MN5-005	COVER, RR.
13	31113-MN5-005	BEARING, RR.
14	31114-MN5-005	HOUSING, OUTPUT
15	31115-MN5-005	TERMINAL, OUTPUT
16	31120-MT2-005	CORE COMP., ROTOR
17	90062-MN5-005	BOLT, ALTERNATOR
18	90204-MN5-000	NUT, HEX. (14MM)
19	90408-MN5-000	WASHER (14.2X23X2.6)
20	91320-MN5-003	O-RING (84.5X4)
21	94071-05080	NUT-WASHER (5MM)
22	95701-08038-08	BOLT, FLANGE (8X38)

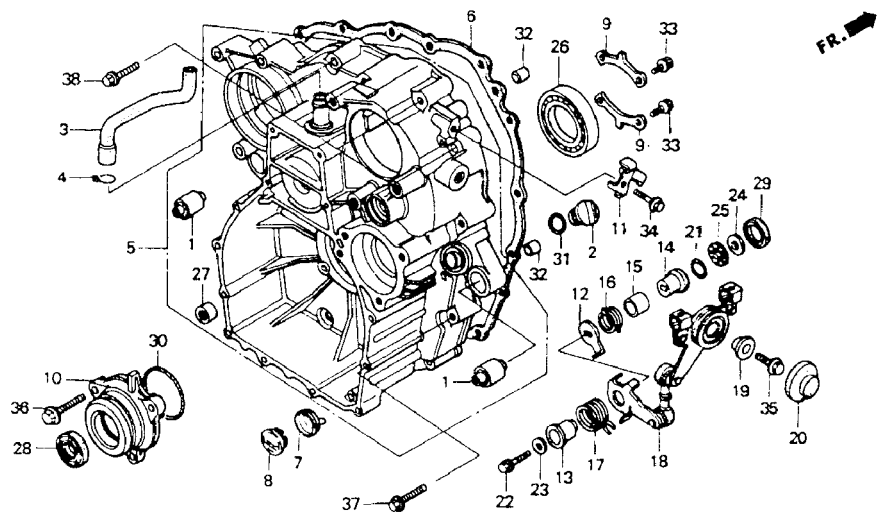


Ref. No.	Part No.	Description
1	31200-MT8-018	MOTOR ASSY. - A'92'93, SE'92'93
1	31200-MW5-871	MOTOR ASSY., STARTER - I'92'93
2	31201-MT8-008	BRUSH SET, TERMINAL
3	31202-MT8-008	BRACKET B, END
4	31203-MT8-008	HOLDER SET, BRUSH
5	31204-MN5-008	BOLT, TERMINAL
6	31205-MT8-008	BOLT, SETTING
7	31206-MN5-008	INSULATOR, TERMINAL
8	31207-KS5-901	RING
9	31207-MN5-008	WASHER, INSULATOR
10	31207-179-711	RING, SEAL
11	31208-MG9-004	RING - A'92'93, SE'92'93
12	31208-MN5-008	WASHER, INSULATOR
13	31209-MN5-008	WASHER (6MM)
14	31210-MT8-008	GEAR ASSY. - A'92'93, SE'92'93
14	31210-MW5-871	GEAR ASSY.- I'92'93
15	90013-MN5-000	BOLT, FLANGE (8X38)
16	90071-MB0-000	NUT-WASHER (6MM)
17	91001-MN5-008	BOLT (5X39) - A'92'93, SE'92'93
18	91309-MN5-008	O-RING (59.6X2.4)
19	91320-MB0-000	O-RING
20	94111-05000	WASHER, SPRING (5MM) - A'92'93, SE'92'93
21	95701-08060-08	BOLT, FLANGE (8X60)

Catalog Title:
GL1500A / GL1500SE / GL1500I '92 '93

Block No.
E 11

Block Title:
REAR CASE

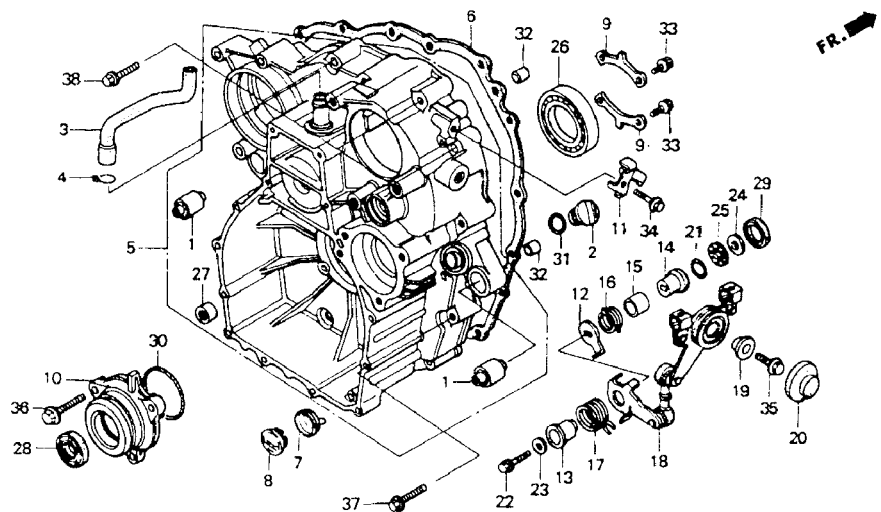


Ref. No.	Part No.	Description
1	11141-MN5-000	BUSH, ENGINE HANGER
2	15611-MB0-000	CAP, OIL FILTER
3	15761-MN5-000	TUBE, BREATHER
4	18532-634-670	CLIP (21.5)
5	21111-MT2-010	CASE COMP., RR. - A'92'93, SE'92'93
5	21110-MW5-870	CASE COMP., RR. - I'92'93
6	21112-MN5-650	GASKET, RR. CASE
7	21116-MT8-000	BODY
8	21117-MT8-000	CAP
9	21122-MN5-000	PLATE
10	23751-MN5-000	HOLDER
11	28214-MN5-000	PLATE - A'92'93, SE'92'93
11	28214-MN5-010	PLATE - A'92'93, SE'92'93
12	28215-MN5-000	PLATE, LOST MOTION - A'92'93, SE'92'93
13	28218-MN5-010	COLLAR (22MM) - A'92'93, SE'92'93
14	28219-MN5-010	COLLAR - A'92'93, SE'92'93
15	28221-MN5-000	BUSH, REVERSE SPRING - A'92'93, SE'92'93
16	28224-MN5-000	SPRING - A'92'93, SE'92'93
17	28226-MN5-000	SPRING, LOST MOTION - A'92'93, SE'92'93
18	28230-MT2-010	ARM, REVERSE SHIFT - A'92'93, SE'92'93
19	28234-MN5-000	COLLAR - A'92'93, SE'92'93
20	28238-MN5-000	COVER - A'92'93, SE'92'93
21	51996-SA5-800	O-RING - A'92'93, SE'92'93
22	90014-MN5-000	BOLT, FLANGE (6X20) - A'92'93, SE'92'93
23	90485-VM0-000	WASHER (6MM) - A'92'93, SE'92'93

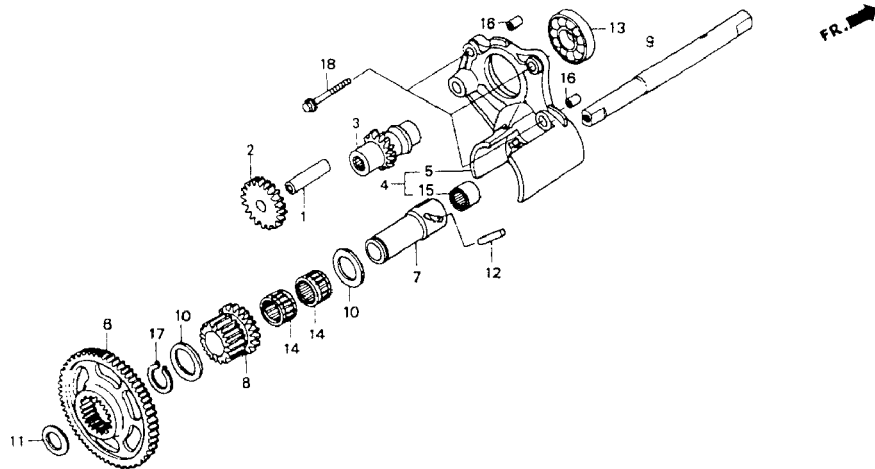
Catalog Title:
GL1500A / GL1500SE / GL1500I '92 '93

Block No.
E 11

Block Title:
REAR CASE



Ref. No.	Part No.	Description
24	90492-MN5-000	WASHER (12.2X23X1.6) - A'92'93, SE'92'93
25	91001-147-006	BEARING (12MM) - A'92'93, SE'92'93
26	91002-MN5-003	BEARING (6010)
27	91024-GJ5-003	BEARING (12X16X10) - A'92'93, SE'92'93
28	91204-MN5-005	OIL SEAL (28X48X9)
29	91208-MN5-003	OIL SEAL (27X34X5) - A'92'93, SE'92'93
30	91304-MN5-003	O-RING (63X3)
30	91316-PT6-003	O-RING (62.4X3.1)
31	91307-425-003	O-RING (21.5X3.2)
32	94301-10160	PIN, DOWEL (10X16)
33	95701-06016-08	BOLT, FLANGE (6X16)
34	95701-08016-08	BOLT, FLANGE (8X16) - A'92'93, SE'92'93
35	95701-08025-08	BOLT, FLANGE (8X25) - A'92'93, SE'92'93
36	95701-08028-08	BOLT, FLANGE (8X28)
37	95701-08045-08	BOLT, FLANGE (8X45)
38	95701-08055-08	BOLT, FLANGE (8X55)



Ref. No.	Part No.	Description
1	13111-GK8-000	PIN, PISTON (10X33)
1	13111-GS7-000	PIN, PISTON
1	13111-122-000	PIN, PISTON (10X33)
2	28106-MN5-010	GEAR (19T)
3	28141-MN5-000	GEAR (15T)
4	28150-MN5-000	HOLDER COMP. - A'92'93, SE'92'93
5	28151-MN5-300	HOLDER - I'92'93
6	28162-MN5-000	GEAR (46T) - A'92'93, SE'92'93
7	28165-MN5-000	SHIFTER, REVERSE - A'92'93, SE'92'93
8	28171-MN5-000	GEAR (18T) - A'92'93, SE'92'93
9	28211-MN5-000	SHAFT - A'92'93, SE'92'93
10	90409-ML4-610	WASHER B (30X1.7) - A'92'93, SE'92'93
11	90492-MN5-000	WASHER (12.2X23X1.6) - A'92'93, SE'92'93
12	90702-MN5-000	ROLLER (5X25) - A'92'93, SE'92'93
13	91007-MN5-003	BEARING (6904) - A'92'93, SE'92'93
14	91051-727-000	BEARING (20X24X17) - A'92'93, SE'92'93
15	91101-121-691	BEARING, NEEDLE - A'92'93, SE'92'93
16	94301-08140	PIN, DOWEL (8X14)
17	94510-20000	CIRCLIP (20MM) - A'92'93, SE'92'93
18	95701-06032-08	BOLT, FLANGE (6X32)

Catalog Title:

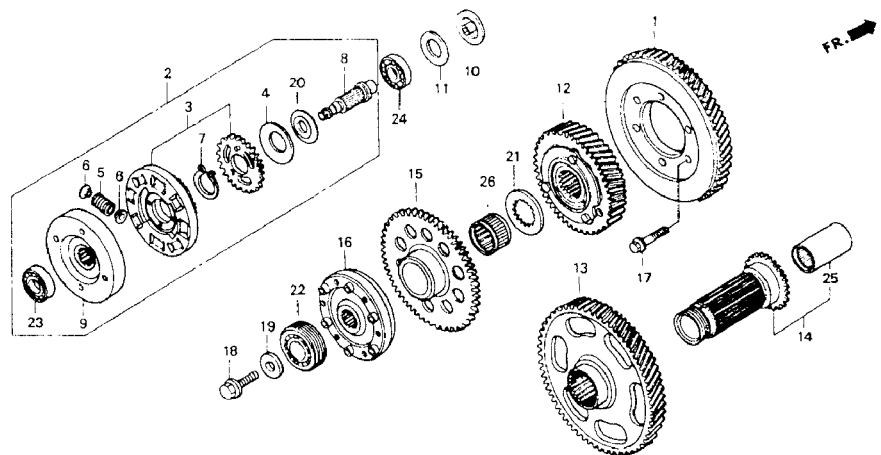
GL1500A / GL1500SE / GL1500I '92 '93

Block No.

E 13

Block Title:

PRIMARY DRIVE GEAR



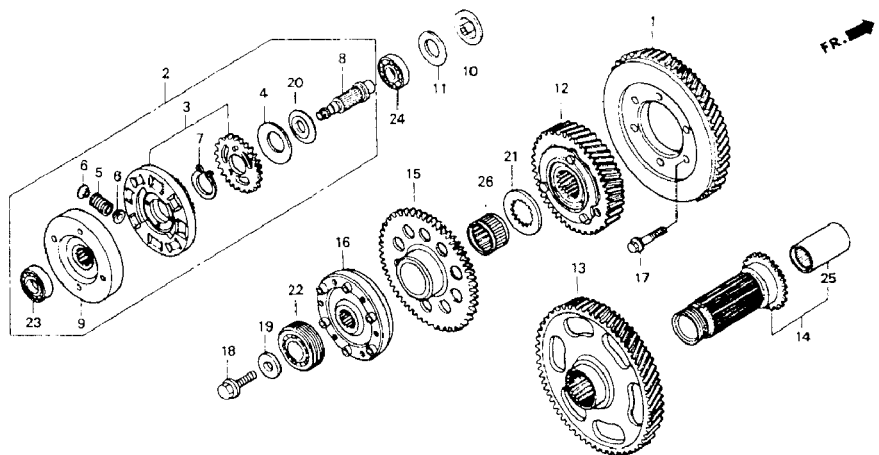
Ref. No.	Part No.	Description
1	13321-MT8-000	GEAR (103T)
2	13430-MT8-000	GEAR ASSY.
3	13434-MT8-305	GEAR SET
4	13435-MN5-300	SPRING
5	13436-MN5-004	SPRING
6	13438-MN5-310	SEAT, DAMPER SPRING
7	13439-MN5-310	SPRING
8	13452-MN5-310	SHAFT
9	13456-MN5-320	FLYWHEEL, ALTERNATOR
10	13459-MT8-000	PLATE
11	13538-MT8-000	SPRING, THRUST
12	23110-MN5-010	GEAR COMP. (49T)
13	23121-MN5-000	GEAR (78T)
14	23130-MN5-000	BOSS COMP.
15	28110-MN5-000	GEAR COMP. (66T)
16	28120-MN5-013	CLUTCH, STARTING- '92
16	28125-MN5-004	CLUTCH OUTER COMP.
17	90004-MN5-000	BOLT, UBS (8X20)
18	90005-MN5-000	BOLT, FLANGE (12X30)
19	90402-MN5-000	WASHER (12X33X4)
20	90413-MN5-000	WASHER (19.7X40X2.6)
21	90493-MN5-000	WASHER (28MM)
22	91009-MN5-003	BEARING (6205)
23	91015-MN5-003	BEARING (6003)
24	91016-MN5-003	BEARING (6003U)

Catalog Title:
GL1500A / GL1500SE / GL1500I '92 '93

Block No.
E 13

Block Title:
PRIMARY DRIVE GEAR

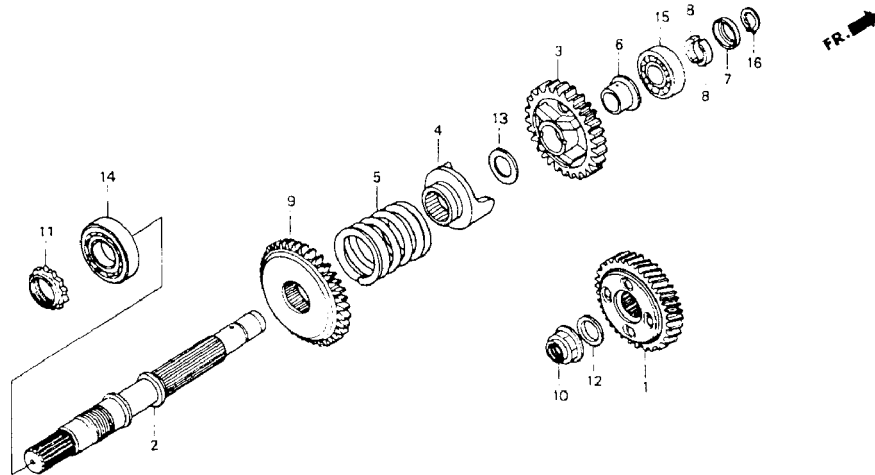
Ref. No.	Part No.	Description
25	91024-MN5-003	BEARING (28X35X60)
26	91027-PC9-E01	BEARING (36X41X18.3)



Catalog Title:
GL1500A / GL1500SE / GL1500I '92 '93

Block No.
E 14

Block Title:
FINAL GEAR SHAFT

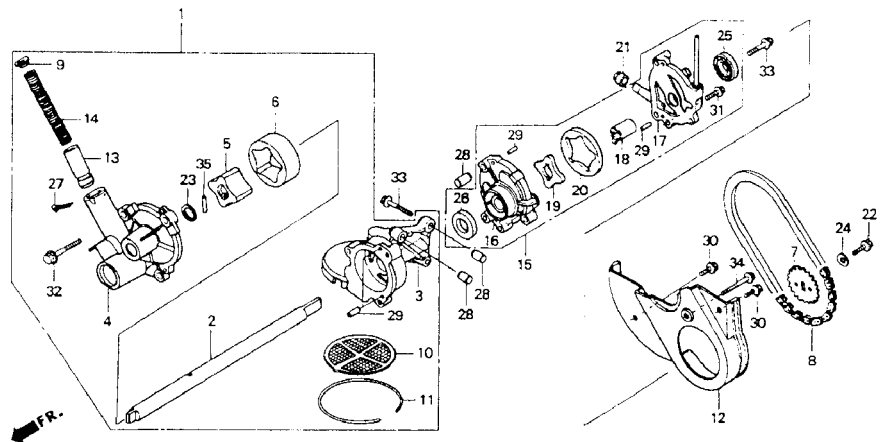


Ref. No.	Part No.	Description
1	23500-MT8-000	GEAR COMP. (35T)
2	23511-MN5-000	SHAFT, FINAL GEAR
3	23521-MT8-000	GEAR (34T)
4	23721-MN5-000	LIFTER, FINAL DAMPER
5	23732-MN5-000	SPRING, FINAL DAMPER
6	23733-MN5-000	COLLAR (22X26X27.6)
7	23741-MN5-000	RETAINER
8	23742-MN5-000	WASHER
9	28178-MN5-000	GEAR (45T)
10	90205-MN5-000	NUT, SPECIAL (22MM)
11	90241-MB0-000	NUT, LOCK (30MM)
12	90421-MN5-003	WASHER (22MM)
13	90498-MN5-000	WASHER (22.2X35.2.6)
14	91005-MN5-003	BEARING (22X52X15)
15	91011-MN5-003	BEARING (6206)
16	94510-22000	CIRCLIP (22MM)

Catalog Title:
GL1500A / GL1500SE / GL1500I '92 '93

Block No.
E 15

Block Title:
OIL PUMP



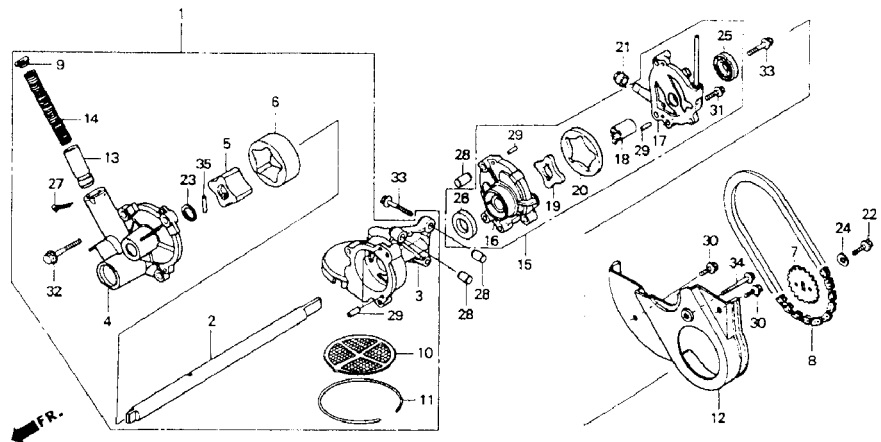
Ref. No.	Part No.	Description
1	15110-MN5-030	PUMP ASSY., OIL
2	15111-MN5-020	SHAFT, OIL PUMP
3	15112-MN5-000	BODY, OIL PUMP
4	15113-MN5-000	COVER, OIL PUMP
5	15124-MJ0-000	ROTOR (INNER)
6	15125-MJ0-000	ROTOR (OUTER)
7	15134-MN5-000	SPROCKET (24T)
8	15135-MN5-003	CHAIN (SC-0412HX54L)
9	15142-371-000	SEAT, RELIEF VALVE
10	15150-MG7-000	SCREEN, OIL PUMP
11	15160-PA5-003	RING, SNAP (92MM)
12	15171-MN5-000	GUIDE
13	15231-MN5-010	VALVE, RELIEF
14	15232-MN5-000	SPRING, RELIEF VALVE
15	15240-MN5-010	PUMP, SCAVENGE OIL
16	15241-MN5-010	BODY
17	15242-MN5-010	COVER COMP.
18	15243-MN5-010	COLLAR, OIL PUMP
19	15244-MN5-000	ROTOR (INNER)
20	15245-MN5-000	ROTOR (OUTER)
21	15247-MN5-000	GROMMET
22	90021-KE8-010	BOLT, HEX. (6X16)
23	90456-MC7-000	WASHER (13MM)
24	90488-MB0-000	WASHER (6X2.3)
25	91211-MN5-003	OIL SEAL (16X24X4)

Catalog Title:
GL1500A / GL1500SE / GL1500I '92 '93

Block No.
E 15

Block Title:
OIL PUMP

Ref. No.	Part No.	Description
26	91212-MN5-003	OIL SEAL (13X21X4)
27	94201-30250	PIN, SPLIT (3.0X25)
27	94201-30300	PIN, COTTER (3X30)
27	94201-30400	PIN, COTTER (3.0X40)
27	94201-30450	PIN, SPLIT (3.0X45)
28	94301-08140	PIN, DOWEL (8X14)
29	94303-05080	PIN, DOWEL (5X8)
30	95701-06014-08	BOLT, FLANGE (6X14)
31	95700-06018-00	BOLT, FLANGE (6X18)
31	95701-06018-00	BOLT, FLANGE (6X18)
32	95701-06022-00	BOLT, FLANGE (6X22)
33	95701-06032-08	BOLT, FLANGE (6X32)
34	95701-06045-08	BOLT, FLANGE (6X45)
35	96220-50178	ROLLER (5X17.8)



Catalog Title:

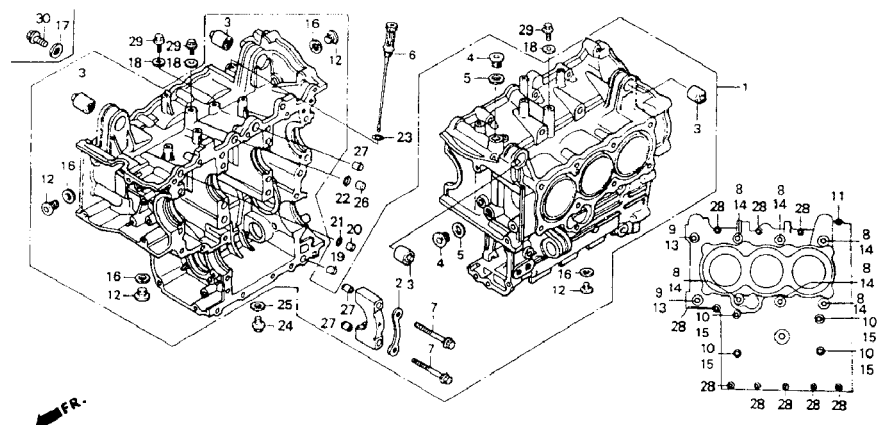
GL1500A / GL1500SE / GL1500I '92 '93

Block No.

E 16

Block Title:

CYLINDER BLOCK



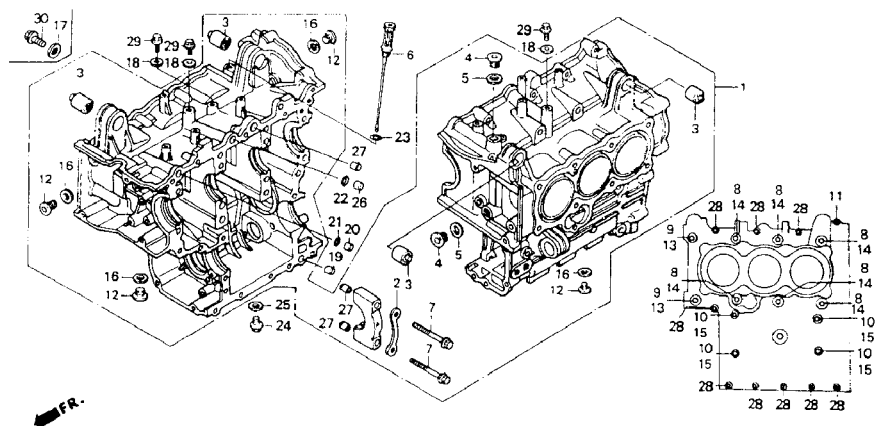
Ref. No.	Part No.	Description
1	11000-MN5-040	BLOCK, CYLINDER
1	11000-MN5-050	BLOCK, CYLINDER
2	11125-MN5-010	PLATE, BEARING CAP
3	11131-MN5-000	BUSH, ENGINE HANGER
4	12206-ML8-300	BOLT, SEALING (18MM)
5	12207-611-300	WASHER, SEALING BOLT
6	15650-MN5-000	DIPSTICK, OIL
7	90003-MN5-013	BOLT, FLANGE (10X87)
8	90009-371-015	BOLT, FLG (10X120)
9	90011-MN5-004	BOLT, FLANGE (10X13)
10	90012-MN5-000	BOLT, FLANGE (8X123)
11	90019-MN5-000	BOLT, FLANGE (6X35)
12	90048-MN5-000	BOLT, SEALING (20MM)
13	90403-ML4-610	WASHER (10MM)
14	90438-463-000	WASHER (11X21X2.3)
15	90441-MG8-000	WASHER (8MM)
16	90441-MN5-000	WASHER (20MM)
17	90443-MB0-000	WASHER (10MM) - I'92'93
18	90495-MN5-000	WASHER (8MM)
19	90702-371-000	COLLAR (15X20)
20	90706-MN5-000	PIN, DOWEL (14X12)
21	91303-MG7-003	O-RING (13.8X2.5)
21	91303-377-000	O-RING (13.8X2.5)
21	91303-426-000	O-RING (13.8X2.5)
22	91301-MJ0-003	O-RING (7.8X1.9)

Catalog Title:
GL1500A / GL1500SE / GL1500I '92 '93

Block No.
E 16

Block Title:
CYLINDER BLOCK

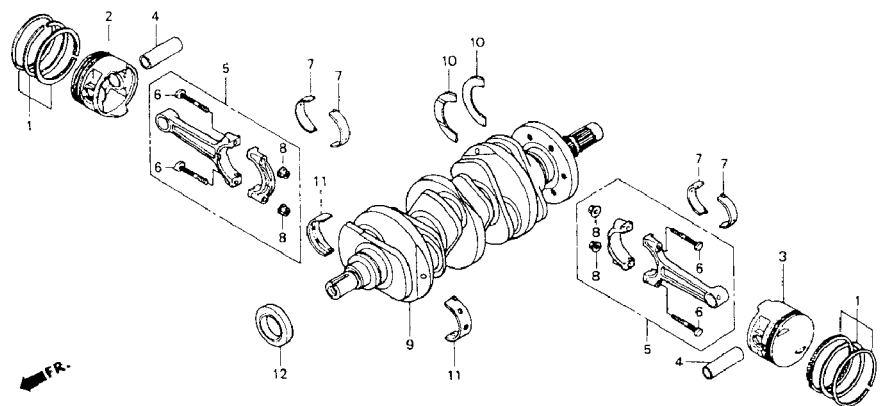
Ref. No.	Part No.	Description
22	91313-MN5-004	O-RING (7.8X1.9)
23	91316-MJ8-003	O-RING (8.4X2.4)
24	92800-14000	BOLT (14MM)
25	94109-14000	WASHER (14MM)
26	94301-08140	PIN, DOWEL (8X14)
27	94301-12200	PIN, DOWEL (12X20)
28	95701-06035-08	BOLT, FLANGE (6X35)
29	95701-08016-08	BOLT, FLANGE (8X16)
30	95701-10016-08	BOLT, FLANGE (10X16) - I'92'93



Catalog Title:
GL1500A / GL1500SE / GL1500I '92 '93

Block No.
E 17

Block Title:
CRANKSHAFT



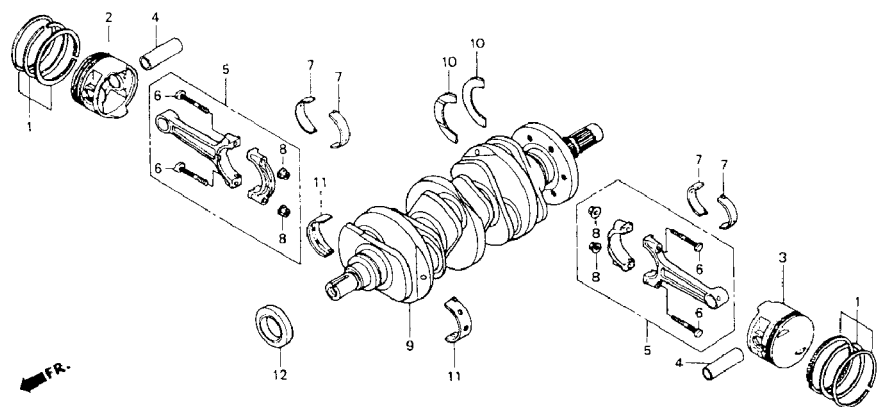
Ref. No.	Part No.	Description
1	13011-MN5-305	RING SET (STD)
1	13021-MN5-305	RING SET (OS 0.25)
1	13021-MN5-306	RING SET (OS 0.25)
1	13031-MN5-305	RING SET (OS 0.50)
1	13031-MN5-306	RING SET (OS 0.50)
1	13041-MN5-305	RING SET (0.75)
1	13041-MN5-306	RING SET (0.75)
1	13051-MN5-305	RING SET (1.00)
1	13051-MN5-306	RING SET (1.00)
2	13101-MT2-000	PISTON, R. (STD)
2	13103-MT2-305	PISTON, R. (OS 0.25)
2	13104-MT2-305	PISTON, R. (OS 0.50)
2	13105-MT2-305	PISTON, R. (0.75)
2	13106-MT2-305	PISTON, R. (1.00)
3	13102-MT2-000	PISTON, L. (STD)
3	13107-MT2-305	PISTON, L. (OS 0.25)
3	13108-MT2-305	PISTON, L. (OS 0.50)
3	13109-MT2-305	PISTON, L. (0.75)
3	13111-MT2-305	PISTON, L. (1.00)
4	13111-MT2-010	PIN, PISTON
5	13201-MT2-000	ROD A, CONNECTING
5	13202-MT2-000	ROD B, CONNECTING
5	13203-MT2-000	ROD C, CONNECTING
5	13204-MT2-000	ROD D, CONNECTING

Catalog Title:
GL1500A / GL1500SE / GL1500I '92 '93

Block No.
E 17

Block Title:
CRANKSHAFT

Ref. No.	Part No.	Description
5	13205-MT2-000	ROD E, CONNECTING
6	13213-MC7-004	BOLT, CONNECTING ROD
6	13213-MS2-610	BOLT, CONNECTING ROD
7	13214-MN5-003	BEARING A, CONN ROD BLUE
7	13215-MN5-003	BEARING B, CONN ROD BLACK
7	13216-MN5-003	BEARING C, CONN ROD BROWN
7	13217-MN5-003	BEARING D, CONN ROD GREEN
7	13218-MN5-003	BEARING E, CONN ROD YELLOW
8	13215-ML7-000	NUT, CONNECTING ROD
9	13310-MN5-010	CRANKSHAFT COMP.
10	13312-MN5-003	BEARING, THRUST
11	13314-MN5-003	BEARING A, MAIN BLUE
11	13315-MN5-003	BEARING B, MAIN BLACK
11	13316-MN5-003	BEARING C, MAIN BROWN
11	13317-MN5-003	BEARING D, MAIN GREEN
11	13318-MN5-003	BEARING E, MAIN YELLOW
12	91201-MN5-003	OIL SEAL (35X59X8)



GL1500A/SE/I '92 - '93 GOLDWING ASPENCADE/SE/INTERSTATE**Connecting rod bearing selection
(Oil clearance 28~46 μ m)**

Connecting rod I.D. 47 ϕ		1	2 or II	3 or III	
		0 ~ +0.006	+0.006~ +0.012	+0.012~ +0.018	
Crank pin O.D. 44 ϕ	A	-0.006~ -0.012	YELLOW	GREEN	BROWN
	B	-0.012~ -0.018	GREEN	BROWN	BLACK
	C	-0.018~ -0.024	BROWN	BLACK	BLUE

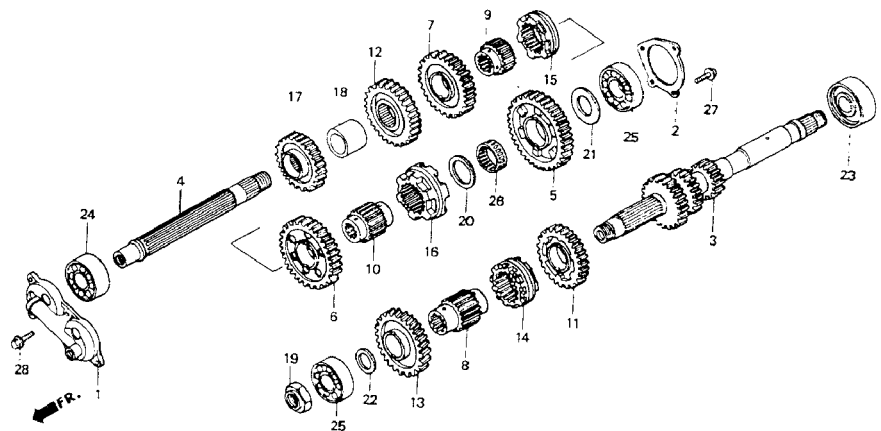
**Main bearing selection
(Oil clearance 27~45 μ m)**

Crankcase I.D. 54 ϕ		I	II	III	
		0 ~ +0.006	+0.006 ~ +0.012	+0.012~ +0.018	
Crankshaft O.D. 50 ϕ	1	-0.006 ~ -0.012	YELLOW	GREEN	BROWN
	2	-0.012~ -0.018	GREEN	BROWN	BLACK
	3	-0.018~ -0.024	BROWN	BLACK	BLUE

Catalog Title:
GL1500A / GL1500SE / GL1500I '92 '93

Block No.
E 18

Block Title:
TRANSMISSION



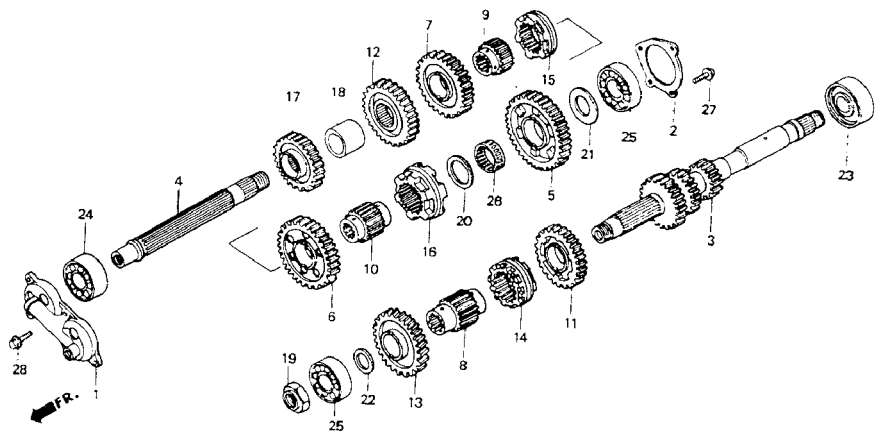
Ref. No.	Part No.	Description
1	23150-MN5-000	HOLDER COMP.
2	23161-MN5-000	PLATE
3	23210-MN5-000	MAINSHAFT COMP.
4	23220-MN5-000	COUNTERSHAFT COMP.
5	23421-MT8-000	GEAR (40T)
6	23441-MT8-000	GEAR (31T)
7	23451-MT8-000	GEAR (28T)
8	23455-MN5-010	COLLAR (28X43X69)
9	23456-MT8-000	COLLAR (28X43X34.4)
10	23457-MN5-000	COLLAR (28X43X59.4)
11	23461-MT8-000	*23010-MAM-305
12	23471-MT8-000	GEAR (27T)
13	23481-MN5-000	GEAR (29T)
14	23483-MT8-000	*23010-MAM-305
15	23484-MT8-000	SHIFTER, CENTER
16	23485-MT8-000	SHIFTER, RR.
17	23491-MT8-000	GEAR (22T)
18	23492-MT8-000	COLLAR (27.8X35X28)
19	90201-MN5-000	NUT, HEX. (22MM)
19	90201-MZ0-000	NUT, HEX. (22MM)
20	90467-MN5-000	WASHER (35.2X46X1.6)
21	90468-MN5-000	WASHER (25X47X2.6)
22	90471-MN5-000	WASHER (25X40X2.6)
23	91001-MN5-003	BEARING (28X54X20.6)
24	91003-MN5-003	BEARING (63/22)

Catalog Title:
GL1500A / GL1500SE / GL1500I '92 '93

Block No.
E 18

Block Title:
TRANSMISSION

Ref. No.	Part No.	Description
25	91006-MN5-003	BEARING (6305)
26	91014-MN5-003	BEARING (35X40X16)
27	95701-06016-08	BOLT, FLANGE (6X16)
28	95701-06020-08	BOLT, FLANGE (6X20)



Catalog Title:

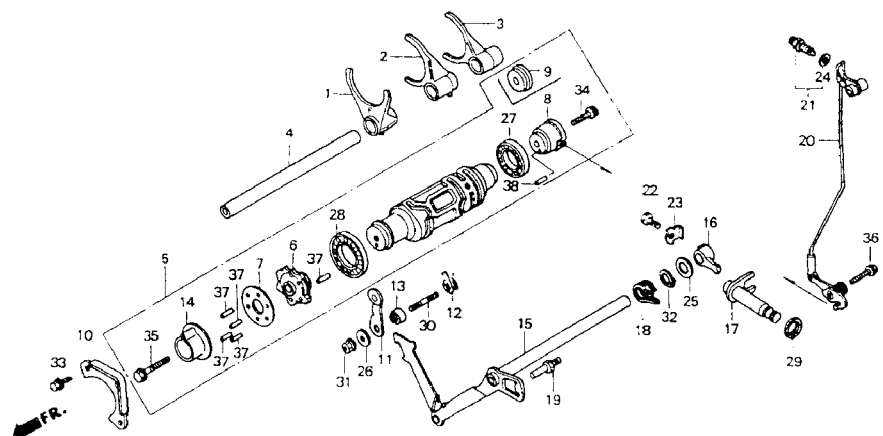
GL1500A / GL1500SE / GL1500I '92 '93

Block No.

E 19

Block Title:

GEARSHIFT FORK



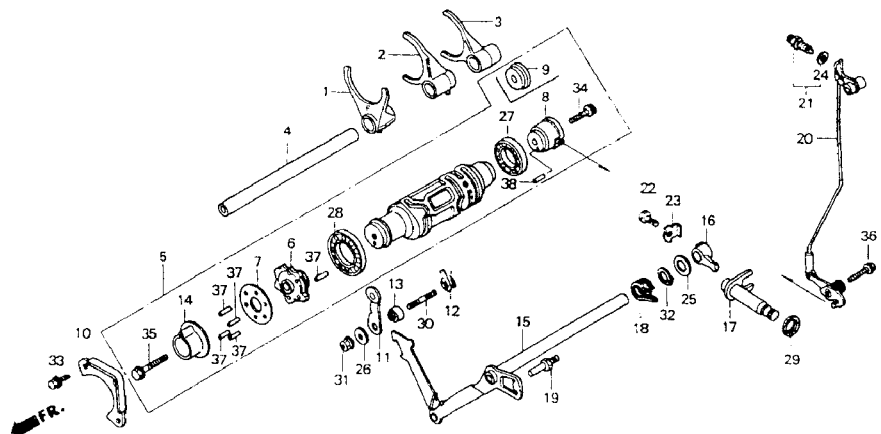
Ref. No.	Part No.	Description
1	24211-MN5-000	FORK, FR. GEARSHIFT
2	24212-MN5-000	FORK
3	24213-MN5-000	FORK, GEARSHIFT
4	24251-MN5-000	SHAFT, SHIFT FORK
5	24300-MT8-000	DRUM, GEARSHIFT - A'92'93, SE'92'93
5	24300-MW5-870	DRUM, GEARSHIFT - I'92'93
6	24302-MN5-000	CAM, SHIFT DRUM
7	24303-MN5-000	PLATE
8	24305-MN5-000	CAM - A'92'93, SE'92'93
9	24305-MW5-870	COLLAR - I'92'93
10	24307-MN5-000	PLATE, DRUM SET
11	24430-MN5-000	STOPPER COMP.
12	24435-MN5-000	SPRING, DRUM STOPPER
13	24437-MN5-000	COLLAR
14	24443-MN5-000	JOINT, SHIFT DRUM
15	24610-MN5-000	ARM COMP., GEARSHIFT
16	24615-MN5-000	ARM B, GEARSHIFT
17	24620-MN5-000	SPINDLE, GEARSHIFT
18	24651-MN5-000	SPRING, SHIFT RETURN
19	24652-028-000	PIN
20	28250-MN5-010	ARM COMP. - A'92'93, SE'92'93
21	35600-MM5-003	SWITCH, NEUTRAL - A'92'93, SE'92'93
22	90009-MN5-000	BOLT, HEX. (8X17)
23	90406-422-000	WASHER, LOCK (8MM)
24	90443-MJ6-000	WASHER, NEUTRAL - A'92'93, SE'92'93

Catalog Title:
GL1500A / GL1500SE / GL1500I '92 '93

Block No.
E 19

Block Title:
GEARSHIFT FORK

Ref. No.	Part No.	Description
25	90487-MN5-000	WASHER (14.2X28X2)
26	90488-MB0-000	WASHER (6X2.3)
27	91007-MN5-003	BEARING (6904)
28	91008-374-003	BEARING (16005)
29	91206-286-013	OIL SEAL (14X28X7)
30	92900-06025-0B	BOLT, STUD (6X25)
31	94050-06000	NUT, FLANGE (6MM)
32	94510-14000	CIRCLIP (14MM)
33	95701-06016-08	BOLT, FLANGE (6X16)
34	95701-06022-08	BOLT, FLANGE (6X22)
35	95701-08040-08	BOLT, FLANGE (8X40)
36	95801-06028-08	BOLT, FLANGE (6X28) - A'92'93, SE'92'93
37	96220-40148	ROLLER (4X14.8)



Catalog Title:

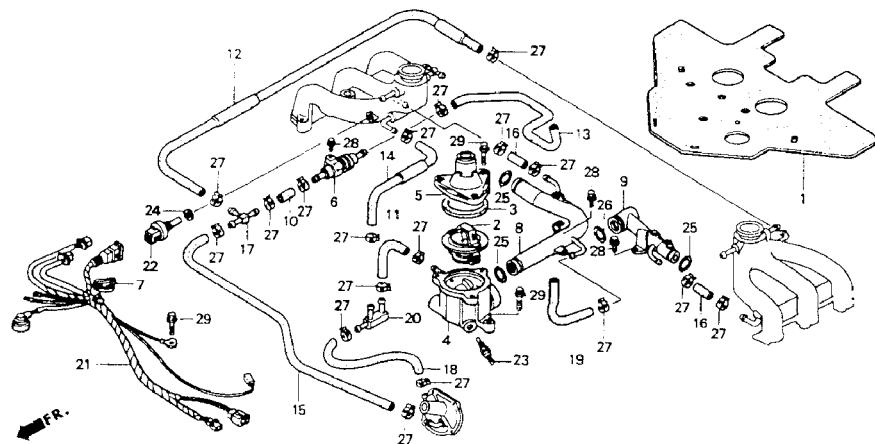
GL1500A / GL1500SE / GL1500I '92 '93

Block No.

E 20

Block Title:

WATER PIPE



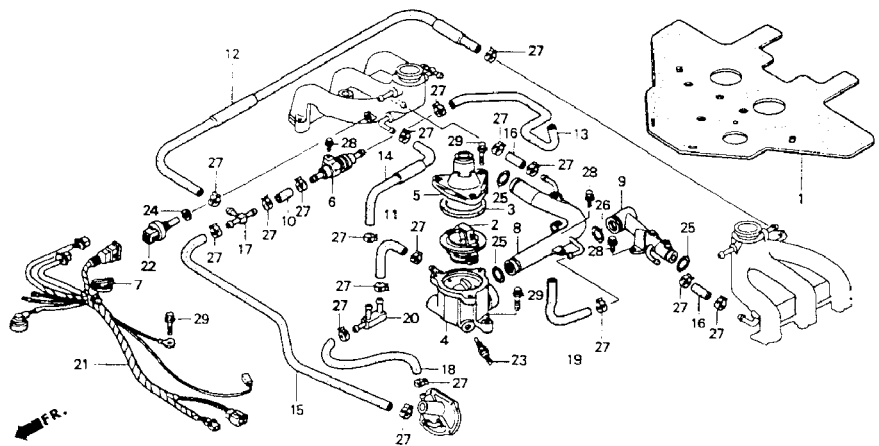
Ref. No.	Part No.	Description
1	19050-MT2-010	RUBBER
2	19300-611-005	THERMOSTAT UNIT
3	19305-MN5-000	RUBBER, THERMOSTAT
4	19310-MT8-000	CASE, THERMOSTAT
4	19310-MT8-010	CASE, THERMOSTAT
5	19320-MN5-000	COVER, THERMOSTAT
6	19330-MY4-004	VALVE, THERMO
7	19333-MN5-000	STAY, WIRE HARNESS
8	19422-MY4-000	PIPE, R.
9	19423-MW5-000	PIPE, L.
10	19511-MY4-000	TUBE, WATER
11	19512-MT8-000	TUBE, WATER
12	19513-MY4-000	TUBE, WATER
13	19514-MN5-000	TUBE D, WATER
14	19515-MY4-000	TUBE, WATER
15	19516-MY4-000	TUBE, WATER
16	19517-MT8-000	TUBE H, WATER
17	19518-MN5-010	JOINT, THREE-WAY
18	19521-MY4-000	HOSE, WATER
19	19522-MY4-000	TUBE, WATER
20	19525-MT8-000	JOINT, THREE-WAY
21	32104-MT8-000	SUB-HARNESS, ENGINE
22	36151-MT8-003	SENSOR, COOLANT TEMP
23	37750-PC1-004	SENDING UNIT
24	90454-MC7-000	WASHER (12MM)

Catalog Title:
GL1500A / GL1500SE / GL1500I '92 '93

Block No.
E 20

Block Title:
WATER PIPE

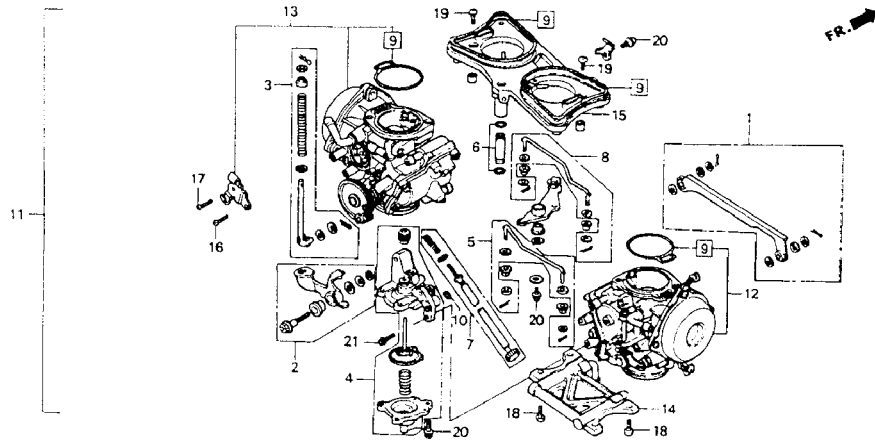
Ref. No.	Part No.	Description
25	91301-147-023	O-RING (18.3X2.3)
26	91351-KE1-000	O-RING (21.8X2.4)
27	91405-PD1-004	CLAMP, TUBE (D12)
28	95701-06014-08	BOLT, FLANGE (6X14)
29	95701-06025-08	BOLT, FLANGE (6X25)



Catalog Title:
GL1500A / GL1500SE / GL1500I '92 '93

Block No.
E 21

Block Title:
CARBURETOR (ASSY.)



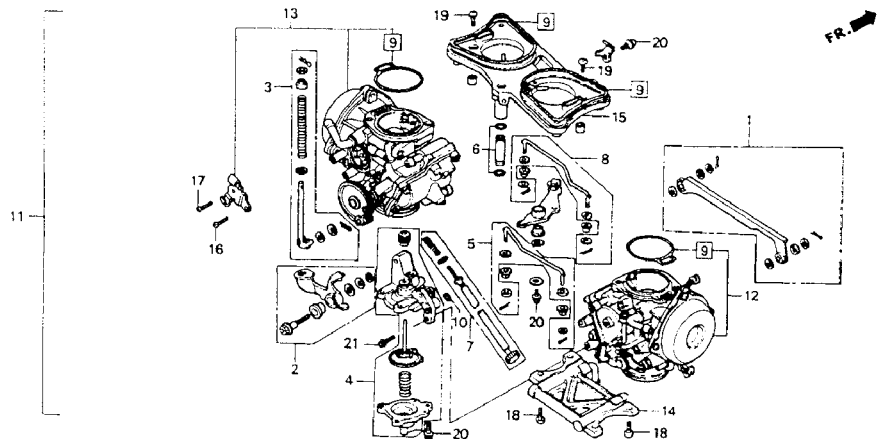
Ref. No.	Part No.	Description
1	16017-MT8-000	LEVER SET, LINK
2	16018-MN5-004	ARM SET, PUMP
3	16019-MY4-000	ROD SET, PUMP
4	16021-MW8-000	DIAPHRAGM SET
5	16025-MN5-004	ROD SET, STARTER
6	16026-MAM-000	JOINT SET, FUEL
6	16026-MY4-000	JOINT SET, FUEL
7	16028-MN5-004	SCREW SET B
8	16035-MN5-004	ROD SET B, STARTER
9	16040-MY4-000	GASKET B SET
10	16075-MY4-000	O-RING
11	16100-MY4-010	CARBURETOR ASSY. - A'92'93, SE'92'93
11	16100-MY4-741	CARBURETOR ASSY. - A'92'93, SE'92'93
11	16100-MY4-870	CARBURETOR ASSY. - I'92'93
11	16100-MY4-880	CARBURETOR ASSY. - I'92'93
12	16101-MY4-010	CARBURETOR ASSY., R. - A'92'93, SE'92'93
12	16101-MY4-741	CARBURETOR ASSY., R. - A'92'93, SE'92'93
12	16101-MY4-870	CARBURETOR ASSY., R. - I'92'93
12	16101-MY4-880	CARBURETOR ASSY., R. - I'92'93
13	16102-MY4-010	CARBURETOR ASSY., L. - A'92'93, SE'92'93
13	16102-MY4-741	CARBURETOR ASSY., L. - A'92'93, SE'92'93
13	16102-MY4-870	CARBURETOR ASSY., L. - I'92'93
13	16102-MY4-880	CARBURETOR ASSY., L. - I'92'93
14	16119-MN5-004	PLATE COMP., STAY
15	16188-MT8-000	BASE, AIR CLEANER

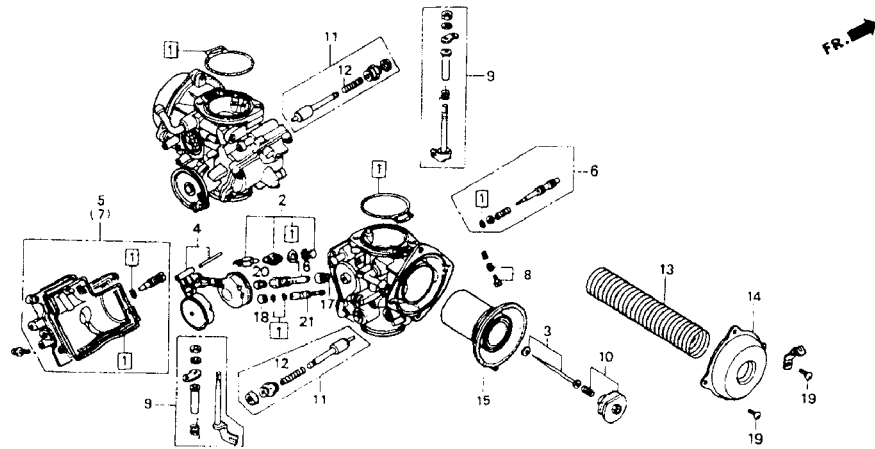
Catalog Title:
GL1500A / GL1500SE / GL1500I '92 '93

Block No.
E 21

Block Title:
CARBURETOR (ASSY.)

Ref. No.	Part No.	Description
16	93500-04012-0H	SCREW, PAN (4X12)
16	93500-04012-1H	SCREW, PAN (4X12)
17	93500-05012-0A	SCREW, PAN (5X12)
17	93500-05012-00	SCREW, PAN (5X12)
17	93500-05012-1A	SCREW, PAN (5X12)
18	93500-06014	SCREW, PAN (6X14)
18	93500-06014-0A	SCREW, PAN (6X14)
18	93500-06014-1A	SCREW, PAN (6X14)
18	93500-06015	SCREW, PAN (6X15)
19	93500-06016	SCREW, PAN (6X16)
19	93500-06016-0A	SCREW, PAN (6X16)
19	93500-06016-1A	SCREW, PAN (6X16)
20	93892-04012-00	SCREW-WASHER (4X12)
20	93892-04012-10	SCREW-WASHER (4X12)
21	93892-05014-10	SCREW-WASHER (5X14)



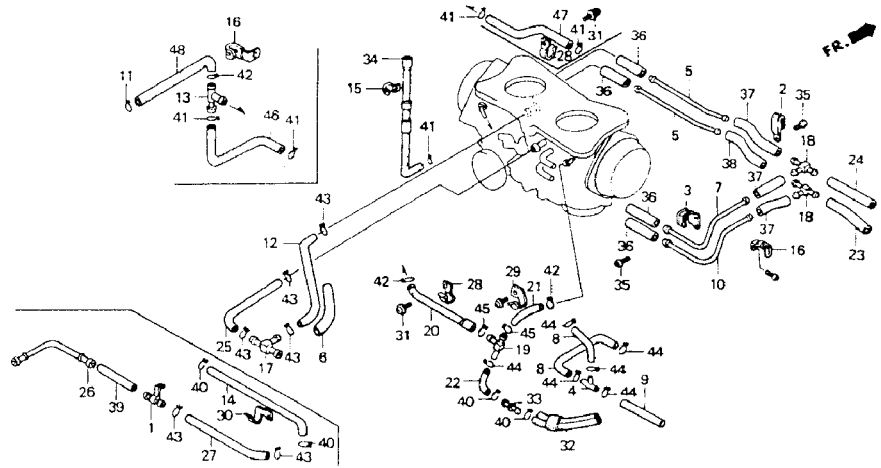


Ref. No.	Part No.	Description
1	16010-MAM-000	GASKET SET A
1	16010-MY4-000	GASKET SET A
1	16011-ML7-921	VALVE SET, FLOAT
2	16011-MN5-004	VALVE SET, FLOAT
3	16012-MY4-601	NEEDLE SET, JET
4	16013-MT2-004	FLOAT SET
5	16015-MT8-010	CHAMBER SET A, FLOAT
6	16016-MS8-681	SCREW SET
7	16023-MT8-010	CHAMBER SET B, FLOAT
8	16029-MB0-671	SCREW SET C
9	16031-MN5-014	LEVER SET, STARTER
10	16037-MN5-004	PLATE SET
11	16046-MT8-000	VALVE SET, STARTER
12	16050-MT2-004	SPRING
13	16051-MT8-000	SPRING
14	16107-MM8-004	TOP COMP.
15	16111-MY4-000	PISTON COMP., VACUUM
16	16165-MY4-000	HOLDER, NEEDLE JET
17	16168-MT8-000	HOLDER, JET
18	16168-MY4-000	HOLDER COMP., JET
19	93500-04010-0A	SCREW, PAN (4X10)
19	93500-04010-1A	SCREW, PAN (4X10)
20	99101-GHB-1480	JET (#148)
20	99101-393-1480	JET, MAIN (#148)
21	99103-MT8-0650	JET, SLOW (#65)

Catalog Title:
GL1500A / GL1500SE / GL1500I '92 '93

Block No.
E 22

Block Title:
TUBING (1)

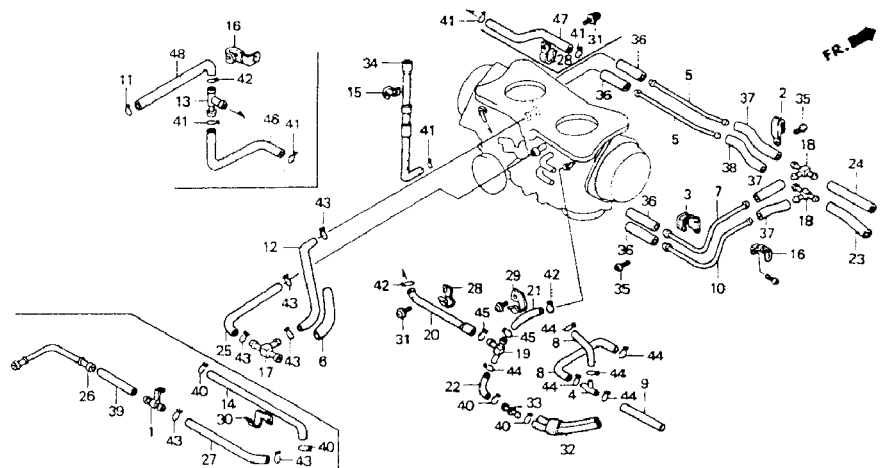


Ref. No.	Part No.	Description
1	16119-MT2-000	PLATE COMP., STAY
2	16134-MT8-000	BINDER
3	16135-MT8-000	BINDER
4	16180-195-731	JOINT
5	16197-MT8-000	TUBE
6	16198-MN5-000	TUBE
7	16198-MT8-000	TUBE
8	16199-GG2-701	TUBE, DRAIN
9	16199-MN5-000	TUBE
10	16199-MT8-000	TUBE
11	17132-MT2-740	CLIP C9, TUBE
12	17180-MN5-000	TUBE, FUEL
13	17182-MW5-740	T-JOINT
14	17186-MT2-741	TUBE
15	17191-MN5-740	CLIP, PLATE
16	17191-MT2-740	CLIP, PLATE
16	17191-MT2-740	CLIP, PLATE
17	17193-MT2-000	T-JOINT
18	17194-MN5-000	T-JOINT
19	17194-MT2-000	T-JOINT
19	17195-MN5-000	T-JOINT
20	17282-MT2-000	TUBE
21	17283-MT2-000	TUBE
22	17285-MT2-010	TUBE
23	17288-MN5-010	TUBE, AIR PRIMARY

Catalog Title:
GL1500A / GL1500SE / GL1500I '92 '93

Block No.
E 22

Block Title:
TUBING (1)



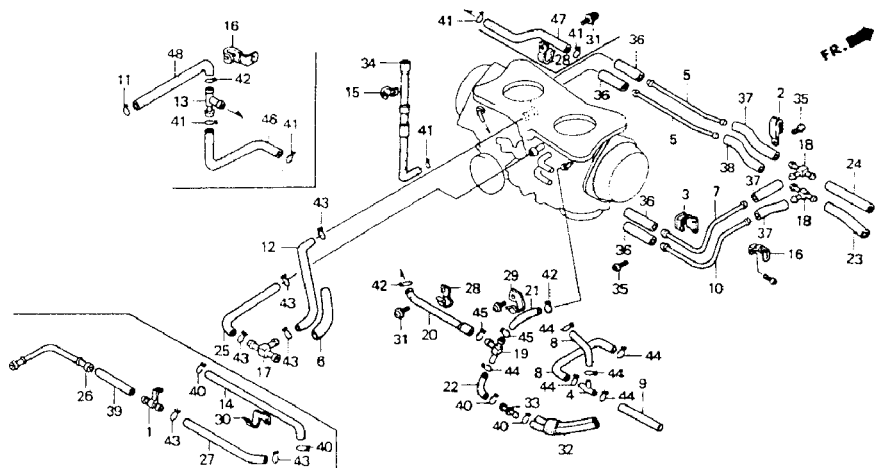
Ref. No.	Part No.	Description
24	17289-MN5-000	TUBE, AIR PRIMARY
25	17290-MN5-000	TUBE, FUEL
26	17306-MT2-740	PIPE, AIR VENT
27	17311-MT2-740	TUBE
28	17312-MT2-000	BINDER
28	17312-MT2-000	BINDER
29	17313-MT2-000	BINDER
30	17314-MT2-741	BINDER
31	17315-MT2-000	SCREW-WASHER
32	17316-MT2-010	TUBE COMP., DRAIN
33	17414-PC6-660	JOINT, TWO-WAY (3.5)
34	17458-MY4-000	TUBE
35	93892-05010-10	SCREW-WASHER (5X10)
36	95001-45008-40M	BULK HOSE (4.5X8000)
37	95001-45008-40M	BULK HOSE (4.5X8000)
38	95001-45008-40M	BULK HOSE (4.5X8000)
39	95001-75003-50M	BULK HOSE (7.5X3000)
40	95002-02070	CLIP, TUBE (B7)
41	95002-02080	CLIP, TUBE (B8)
42	95002-02100	CLIP, TUBE (B10)
43	95002-02120	CLIP, TUBE (B12)

Catalog Title:
GL1500A / GL1500SE / GL1500I '92 '93

Block No.
E 22

Block Title:
TUBING (1)

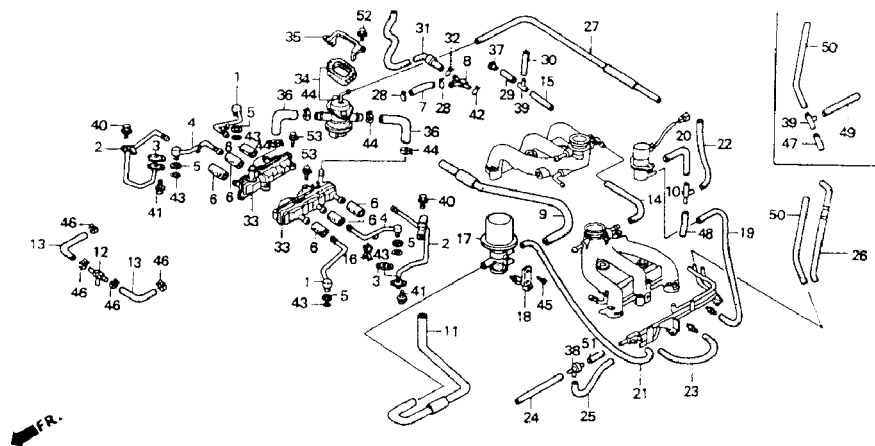
Ref. No.	Part No.	Description
44	95002-02650	CLIP, TUBE (B6.5)
45	95002-70000	CLIP, TUBE (C11)
46	95005-45008-10M	BULK HOSE (4.5X8000)
47	95005-45008-10M	BULK HOSE (4.5X8000)
48	95005-55008-10M	BULK HOSE (5.5X8000)



Catalog Title:
GL1500A / GL1500SE / GL1500I '92 '93

Block No.
E 2201

Block Title:
TUBING (2)

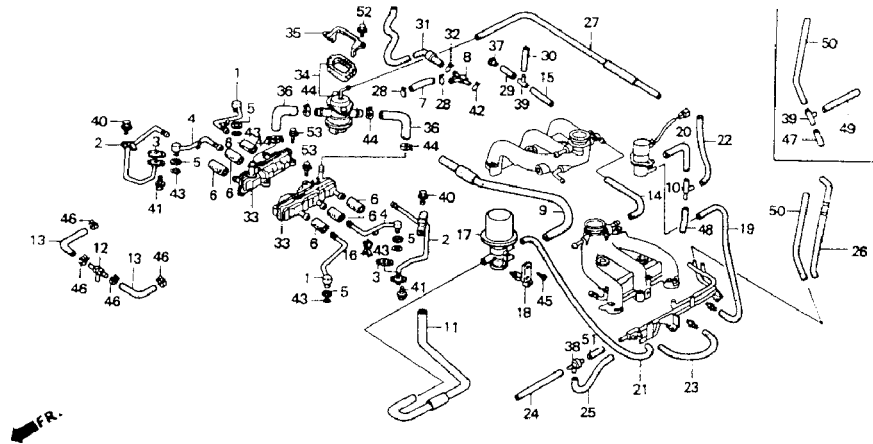


Ref. No.	Part No.	Description
1	17130-MN5-020	PIPE, AIR FEED
2	17140-MN5-000	PIPE B, AIR FEED
3	17142-MN5-000	GASKET
4	17150-MN5-020	PIPE, AIR FEED
5	17155-MT2-000	RUBBER
6	17161-MN5-010	HOSE, AIR FEED
7	17162-MN5-000	TUBE A, AIR IN.
8	17163-MN5-000	JOINT B, THREE-WAY
9	17164-MN5-000	TUBE B, AIR IN.
10	17165-MY4-000	JOINT
11	17170-MY4-000	TUBE, AIR IN.
12	17171-MW5-003	VALVE, CHECK
13	17172-MN5-000	TUBE G, AIR IN.
14	17173-MN5-000	TUBE, PRESSURE BOOST
15	17175-MT2-000	TUBE, PRESSURE BOOST
16	17176-MN5-000	CLAMP J, HOSE
17	17340-MT2-003	VALVE, SHOT AIR
18	17342-MT2-000	STAY, SHOT AIR VALVE
19	17350-MT8-000	TUBE, PRESSURE BOOST
20	17351-MT8-000	TUBE, PRESSURE BOOST
21	17352-MT8-000	TUBE, PRESSURE BOOST
22	17353-MT8-000	TUBE, PRESSURE BOOST
23	17354-MT8-000	TUBE, PRESSURE BOOST
24	17355-MT8-000	TUBE, PRESSURE BOOST - A'92'93, SE'92'93
25	17356-MT8-000	TUBE, PRESSURE BOOST - A'92'93, SE'92'93

Catalog Title:
GL1500A / GL1500SE / GL1500I '92 '93

Block No.
E 2201

Block Title:
TUBING (2)



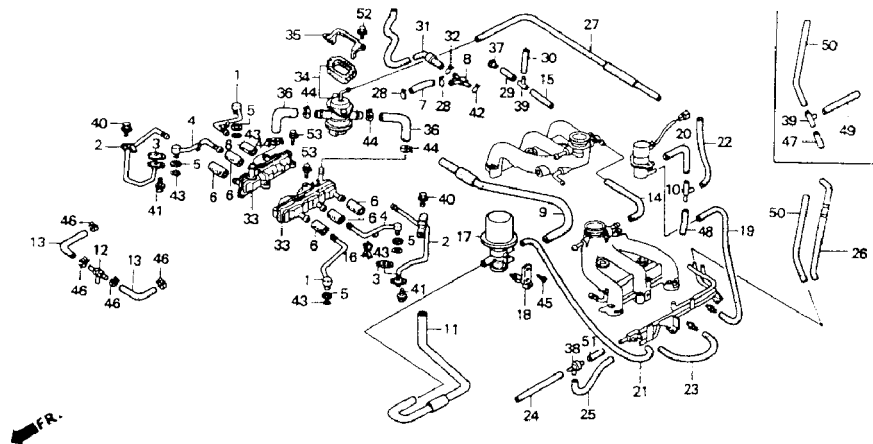
Ref. No.	Part No.	Description
26	17357-MY4-000	TUBE, PRESSURE BOOST - A'92'93, SE'92'93
27	17358-MT8-000	TUBE, PRESSURE BOOST
28	17369-KB4-670	CLIP, BREATHER TUBE
29	17461-MT2-000	TUBE, PRESSURE BOOST
30	17462-MT8-000	TUBE (4.5X260)
31	17472-MT2-000	TUBE (14MM)
32	17724-102-700	CLIP, SUB-TANK HOSE
33	18610-MW5-000	CASE, REED VALVE
34	18650-MN5-024	VALVE ASSY.
35	18652-MN5-000	STAY
36	18654-MN5-000	HOSE, AIR IN.
37	36034-PD1-000	PLUG, SEALING
38	36627-MN5-000	VALVE, CHECK - A'92'93, SE'92'93
38	36627-MN5-003	VALVE, CHECK - A'92'93, SE'92'93
39	38773-PB9-000	JOINT (3.5)
39	38773-PB9-000	JOINT (3.5)
40	90016-MN5-000	BOLT, FLANGE (6X14)
41	90040-MN5-000	BOLT, SOCKET (6X18)
42	90654-MK3-780	CLIP, TUBE (B14)
43	91305-422-000	O-RING (9.8X2.4)
43	91352-425-003	O-RING (9.8X7.4)
44	91405-PE0-003	CLAMP, TUBE (D20)
45	93904-25180	SCREW, TAP (5X10)
46	95002-41200-08	CLIP, TUBE (D12)
47	95005-35008-10M	BULK HOSE (3.5X8000)

Catalog Title:
GL1500A / GL1500SE / GL1500I '92 '93

Block No.
E 2201

Block Title:
TUBING (2)

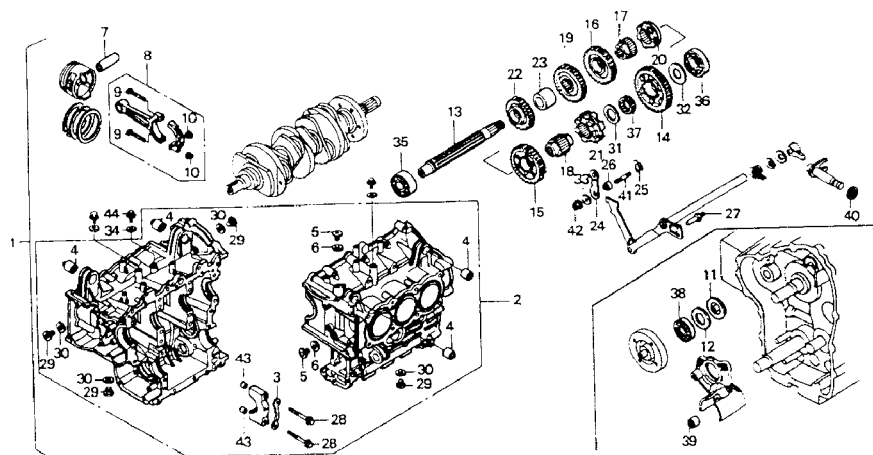
Ref. No.	Part No.	Description
48	95005-35008-10M	BULK HOSE (3.5X8000)
49	95005-35008-10M	BULK HOSE (3.5X8000)
50	95005-35008-10M	BULK HOSE (3.5X8000)
51	95005-45008-10M	BULK HOSE (4.5X8000)
52	95701-06014-08	BOLT, FLANGE (6X14)
53	95701-06025-08	BOLT, FLANGE (6X25)



Catalog Title:
GL1500A / GL1500SE / GL1500I '92 '93

Block No.
E 23

Block Title:
CYLINDER BLOCK SET '92



Ref. No.	Part No.	Description
1	10000-MY4-000	BLOCK SET, CYLINDER (NOT AVAIL)
2	11000-MN5-040	BLOCK, CYLINDER
2	11000-MN5-050	BLOCK, CYLINDER
3	11125-MN5-010	PLATE, BEARING CAP
4	11131-MN5-000	BUSH, ENGINE HANGER
5	12206-ML8-300	BOLT, SEALING (18MM)
6	12207-611-300	WASHER, SEALING BOLT
7	13111-MT2-010	PIN, PISTON
8	13201-MT2-000	ROD A, CONNECTING
8	13202-MT2-000	ROD B, CONNECTING
8	13203-MT2-000	ROD C, CONNECTING
8	13204-MT2-000	ROD D, CONNECTING
8	13205-MT2-000	ROD E, CONNECTING
9	13213-MC7-004	BOLT, CONNECTING ROD
9	13213-MS2-610	BOLT, CONNECTING ROD
10	13215-ML7-000	NUT, CONNECTING ROD
11	13459-MT8-000	PLATE
12	13538-MT8-000	SPRING, THRUST
13	23220-MN5-000	COUNTERSHAFT COMP.
14	23421-MT8-000	GEAR (40T)
15	23441-MT8-000	GEAR (31T)
16	23451-MT8-000	GEAR (28T)
17	23456-MT8-000	COLLAR (28X43X34.4)
18	23457-MN5-000	COLLAR (28X43X59.4)
19	23471-MT8-000	GEAR (27T)

Catalog Title:

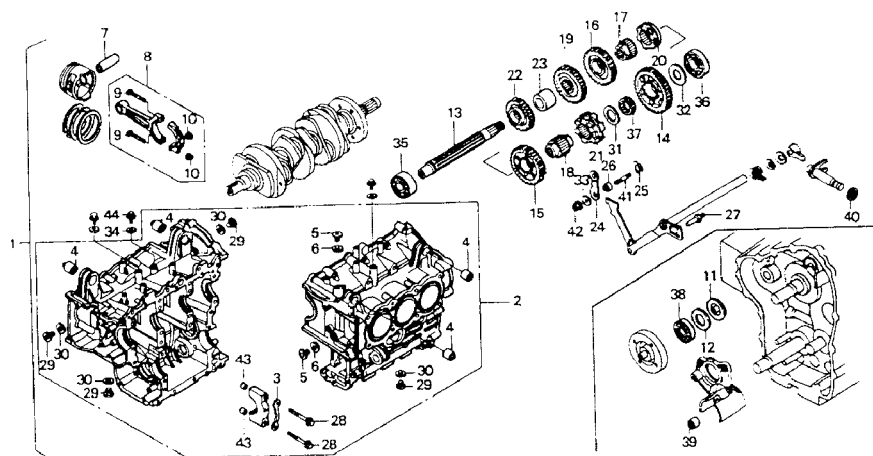
GL1500A / GL1500SE / GL1500I '92 '93

Block No.

E 23

Block Title:

CYLINDER BLOCK SET '92

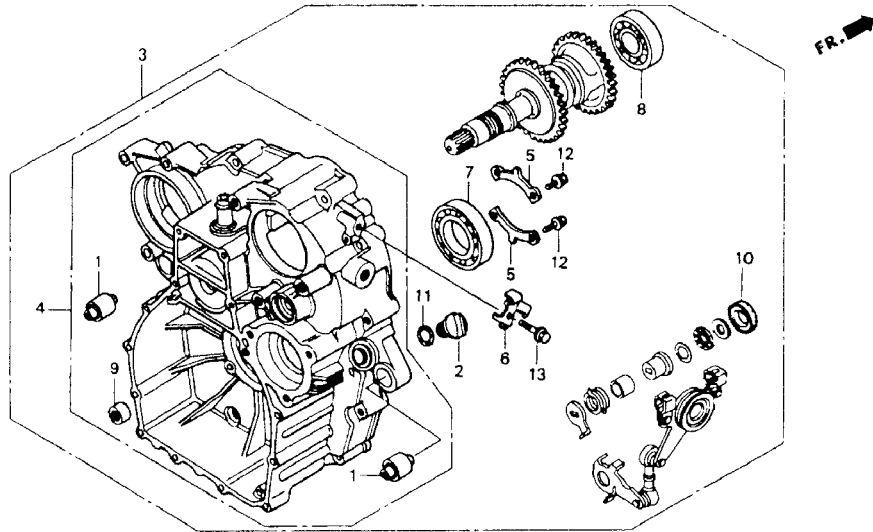


Ref. No.	Part No.	Description
20	23484-MT8-000	SHIFTER, CENTER
21	23485-MT8-000	SHIFTER, RR.
22	23491-MT8-000	GEAR (22T)
23	23492-MT8-000	COLLAR (27.8X35X28)
24	24430-MN5-000	STOPPER COMP.
25	24435-MN5-000	SPRING, DRUM STOPPER
26	24437-MN5-000	COLLAR
27	24652-028-000	PIN
28	90003-MN5-013	BOLT, FLANGE (10X87)
29	90048-MN5-000	BOLT, SEALING (20MM)
30	90441-MN5-000	WASHER (20MM)
31	90467-MN5-000	WASHER (35.2X46X1.6)
32	90468-MN5-000	WASHER (25X47X2.6)
33	90488-MB0-000	WASHER (6X2.3)
34	90495-MN5-000	WASHER (8MM)
35	91003-MN5-003	BEARING (63/22)
36	91006-MN5-003	BEARING (6305)
37	91014-MN5-003	BEARING (35X40X16)
38	91016-MN5-003	BEARING (6003U)
39	91101-121-691	BEARING, NEEDLE
40	91206-286-013	OIL SEAL (14X28X7)
41	92900-06025-0B	BOLT, STUD (6X25)
42	94050-06000	NUT, FLANGE (6MM)
43	94301-12200	PIN, DOWEL (12X20)
44	95701-08016-08	BOLT, FLANGE (8X16)

Catalog Title:
GL1500A / GL1500SE / GL1500I '92 '93

Block No.
E 24

Block Title:
REAR CASE SET '92



Ref. No.	Part No.	Description
1	11141-MN5-000	BUSH, ENGINE HANGER
2	15611-MB0-000	CAP, OIL FILTER
3	21100-MY4-000	CASE SET, RR. - A/SE'92
3	21100-MY4-870	CASE SET, RR. - I'92
4	21111-MT2-010	CASE COMP., RR. - A/SE'92
4	21110-MW5-870	CASE COMP., RR. - I'92
5	21122-MN5-000	PLATE
6	28214-MN5-000	PLATE - A/SE'92
6	28214-MN5-010	PLATE - A/SE'92
7	91002-MN5-003	BEARING (6010)
8	91011-MN5-003	BEARING (6206)
9	91024-GJ5-003	BEARING (12X16X10) - A/SE'92
10	91208-MN5-003	OIL SEAL (27X34X5) - A/SE'92
11	91307-425-003	O-RING (21.5X3.2)
12	95701-06016-08	BOLT, FLANGE (6X16)
13	95701-08016-08	BOLT, FLANGE (8X16) - A/SE'92

Block No.
EOP01

Block Title:
GASKET KIT A

Ref. No.	Part No.	Description
0	061A1-MT8-640	GASKET KIT A
1	11561-MN5-650	GASKET
2	12209-422-005	SEAL, VALVE STEM
3	12251-MN5-004	GASKET, CYL HD
3	12251-MN5-013	GASKET, CYL HD
4	12314-MAF-000	GASKET, HEAD COVER
4	12314-MN5-000	GASKET, HEAD COVER
5	12318-MN5-000	GASKET, RR.
6	17142-MN5-000	GASKET
7	17231-MN5-003	GASKET, IN. MANIFOLD
7	17231-MN5-004	GASKET, IN. MANIFOLD
8	18291-MN5-650	GASKET, EX. PIPE
9	91301-147-023	O-RING (18.3X2.3)
10	91319-MN5-003	O-RING (82X3)
11	91351-KE1-000	O-RING (21.8X2.4)
12	91305-422-000	O-RING (9.8X2.4)
12	91352-425-003	O-RING (9.8X7.4)

Block No.
EOP02

Block Title:
GASKET KIT B

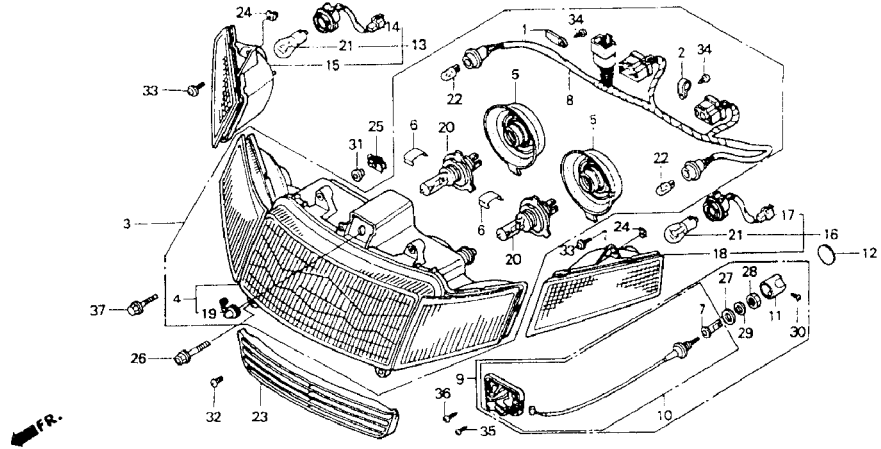
Ref. No.	Part No.	Description
0	061B1-MN5-651	GASKET KIT B
1	11351-MN5-651	GASKET, CLUTCH COVER
2	11391-MN5-650	GASKET, TRANS CVR
3	19226-MN5-000	GASKET
4	19305-MN5-000	RUBBER, THERMOSTAT
5	21112-MN5-650	GASKET, RR. CASE
6	51996-SA5-800	O-RING
7	91301-147-023	O-RING (18.3X2.3)
8	91302-MB0-013	O-RING (32.95X2.62)
9	91303-MG7-003	O-RING (13.8X2.5)
9	91303-377-000	O-RING (13.8X2.5)
9	91303-426-000	O-RING (13.8X2.5)
10	91304-MN5-003	O-RING (63X3)
10	91316-PT6-003	O-RING (62.4X3.1)
11	91301-MC7-003	O-RING (15.8X2.5)
11	91305-MN5-003	O-RING (15.9X2.4)
12	91307-425-003	O-RING (21.5X3.2)
13	91309-MN5-008	O-RING (59.6X2.4)
14	91301-MJ0-003	O-RING (7.8X1.9)
14	91313-MN5-004	O-RING (7.8X1.9)
15	91315-MN5-004	O-RING (5.4X3.2)
16	91316-MJ8-003	O-RING (8.4X2.4)
17	91320-MN5-003	O-RING (84.5X4)
18	94109-14000	WASHER (14MM)

Catalog Title:
GL1500A / GL1500SE / GL1500I '92 '93

Block No.
F 01

Block Title:
HEADLIGHT

Ref. No.	Part No.	Description
1	32910-MN5-003	CLAMP, CONNECTOR
2	32920-MN5-003	CLAMP, WIRE
3	33101-MN5-053	HDLT (12V 60/55W)
4	33103-MN5-023	HEADLIGHT UNIT
5	33112-ML7-003	COVER, RUBBER
6	33113-ML7-601	CLIP, LENS HOLDER
7	33117-MN5-003	NUT, BEAM ADJ.
8	33130-MN5-013	WIRE, HEADLIGHT
9	33140-MT8-770	ADJUSTER, HEADLIGHT
10	33150-MN5-003	ADJUSTER, HEADLIGHT
11	33156-MT8-770	KNOB, BEAM ADJUSTING
12	33157-MT8-770	MARK - SE'92'93
13	33400-MN5-013	TURN SIGNAL ASSY.
13	33400-MN5-023	TURN SIGNAL ASSY.
14	33405-MN5-003	SOCKET COMP., R. FR.
15	33410-MN5-013	TURN SIGNAL, R. FR.
15	33410-MN5-023	TURN SIGNAL SUB, R.
16	33450-MN5-003	TURN SIGNAL ASSY.
16	33450-MN5-013	TURN SIGNAL ASSY.
17	33455-MN5-003	SOCKET COMP., L. FR.
18	33460-MN5-013	TURN SIGNAL SUB, L.
18	33460-MN5-023	TURN SIGNAL SUB, L.
19	33753-MN5-003	BUSHING, RUBBER
20	34901-MN5-003	BULB (12V 45/45W)
21	34906-313-671	BULB (12V23/8W)

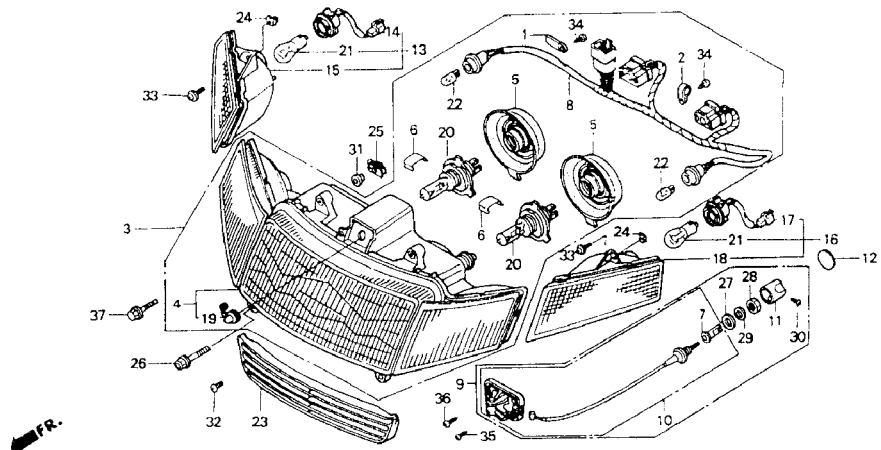


Catalog Title:
GL1500A / GL1500SE / GL1500I '92 '93

Block No.
F 01

Block Title:
HEADLIGHT

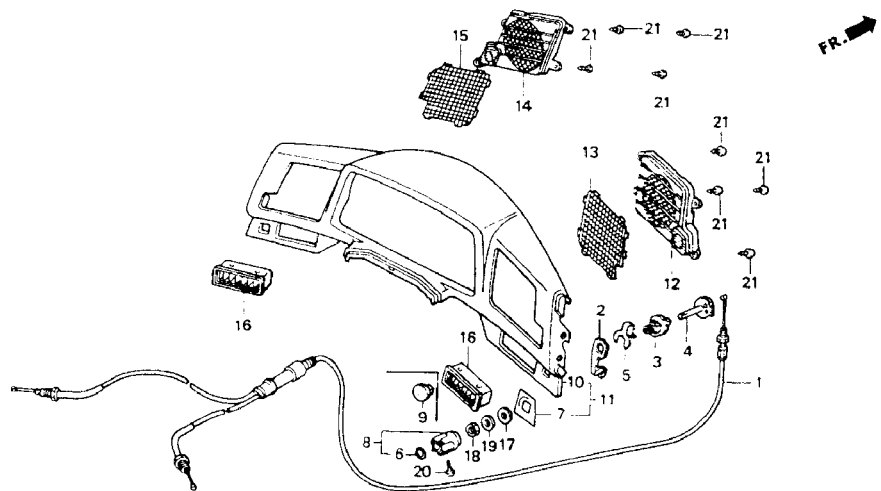
Ref. No.	Part No.	Description
22	34908-GA7-701	BULB (12V 3.4W)
22	37102-567-009	BULB (12V3.4W) (158)
22	37237-SA5-003	BULB (14V3.4W)
22	37237-SA5-004	BULB (12V3.4W) (158)
23	64270-MT2-000	GRILLE, FR. - A'92'93, I'92'93
23	64270-MW5-770	GRILLE, FR. SE'92'93
24	64521-MN5-000	NUT, CLIP (4MM)
25	64529-MN5-000	NUT, CLIP (6MM)
26	90112-MN5-000	BOLT, SPECIAL (6X28)
27	90150-MN5-003	WASHER, SPECIAL
28	90153-MN5-003	NUT, SPECIAL (16MM)
29	90154-MN5-003	WASHER, SPECIAL
30	90417-MN5-003	SCREW, TAPPING (4MM)
31	90512-440-980	WASHER (6MM)
32	93500-04008-0G	SCREW, PAN (4X8)
33	93891-04012-07	SCREW-WASHER (4X12)
34	93901-34320	SCREW, TAP (4X12)
35	93903-24380	SCREW, TAP (4X12)
36	93903-26180	SCREW, TAP (6X12)
37	95701-06028-08	BOLT, FLANGE (6X28)



Catalog Title:
GL1500A / GL1500SE / GL1500I '92 '93

Block No.
F 02

Block Title:
METER PANEL



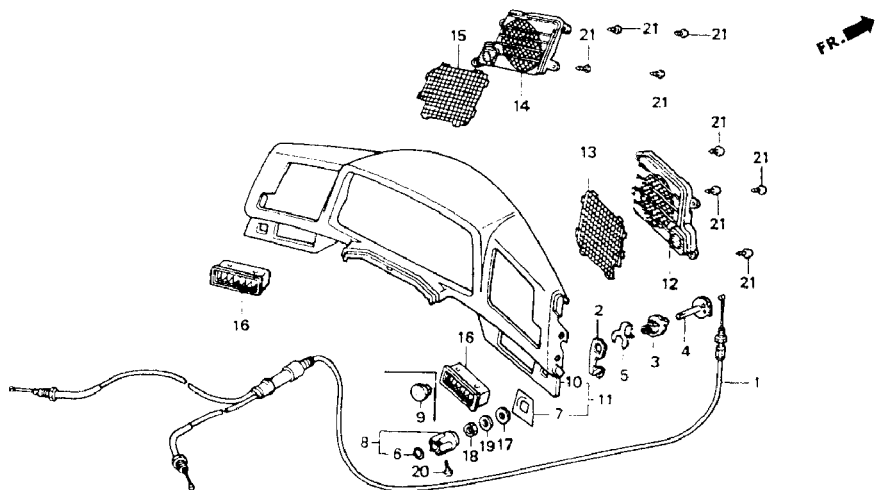
Ref. No.	Part No.	Description
1	18337-MT8-770	CABLE COMP. SE'92
1	18337-MZ3-770	CABLE COMP. - SE'92'93
2	18342-MT8-770	STAY, CABLE- SE'92'93
3	18343-MT8-770	HOLDER, DRUM- SE'92'93
4	18344-MT8-770	DRUM, CABLE- SE'92'93
5	18345-MT8-770	SPRING, DRUM- SE'92'93
6	18346-MT8-770	MARK (LOWER)- SE'92'93
7	18347-MT8-770	MARK (LOWER)- SE'92'93
8	18350-MT8-770	KNOB, VENT ADJUSTING- SE'92'93
9	64236-MG9-770	GROMMET - A'92'93, I'92'93
10	64240-MN5-000ZA	PNL, METER *NH159L* - A'92'93, I'92'93
10	64240-MT8-000ZC	PNL *NH159L* (TYPE1) - A'92'93, I'92'93
11	64241-MT8-770ZD	PANEL *B75L* (TYPE5) - SE'92'93
11	64241-MT8-770ZB	PANEL COMP. *NH159L* - SE'93
12	64242-MN5-000ZA	CVR *NH159L* (TYPE1) - A'92'93, I'92'93, SE'93
12	64242-MN5-000ZE	COVER *B75L* (TYPE5) - SE'92'93
13	64243-MN5-000ZA	GRL *NH159L* (TYPE1) - A'92'93, I'92'93, SE'93
13	64243-MN5-000ZE	GRL *B75L* (TYPE5) - SE'92'93
14	64247-MN5-000ZA	CVR *NH159L* (TYPE1) - A'92'93, I'92'93, SE'93
14	64247-MN5-000ZE	COVER *B75L* (TYPE5) - SE'92'93
15	64248-MN5-000ZA	GRL *NH159L* (TYPE1) - A'92'93, I'92'93, SE'93
15	64248-MN5-000ZE	GRL *B75L* (TYPE5) - SE'92'93
16	64480-MN5-000ZA	OUTLET *NH159L* - A'92'93, I'92'93, SE'93
16	64480-MN5-000ZE	OUTLET *B75L* - SE'92'93
17	90150-MN5-003	WASHER, SPECIAL - SE'92'93

Catalog Title:
GL1500A / GL1500SE / GL1500I '92 '93

Block No.
F 02

Block Title:
METER PANEL

Ref. No.	Part No.	Description
18	90153-MN5-003	NUT, SPECIAL (16MM) - SE'92'93
19	90154-MN5-003	WASHER, SPECIAL - SE'92'93
20	90417-MN5-003	SCREW, TAPPING (4MM) - SE'92'93
21	93903-24320	SCREW, TAP (4X12)



Catalog Title:

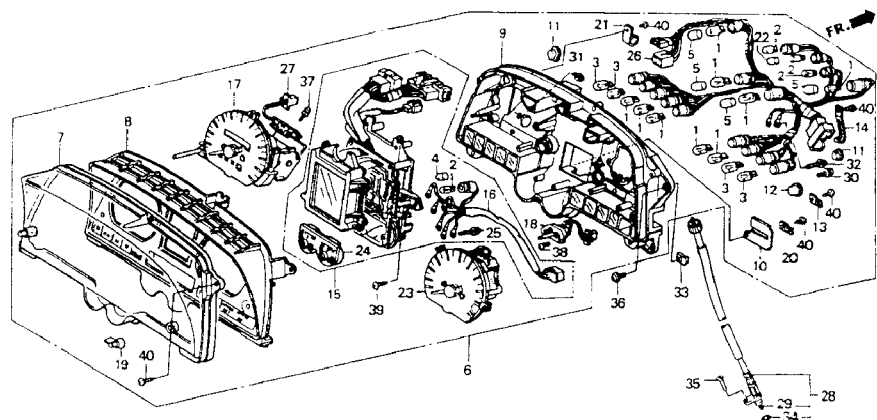
GL1500A / GL1500SE / GL1500I '92 '93

Block No.

F 03

Block Title:

METER (A/SE)



Ref. No.	Part No.	Description
1	34908-GA7-701	BULB (12V 3.4W)
1	37102-567-009	BULB (12V3.4W) (158)
1	37237-SA5-003	BULB (14V3.4W)
1	37237-SA5-004	BULB (12V3.4W) (158)
2	34908-KM1-671	BULB (12V/3W)
3	34908-MB9-871	BULB (12V 1.7W)
4	34909-MN5-008	CAP, BULB (T7 BLUE)
5	34910-MN5-008	CAP, BULB (T10 BLUE)
6	37100-MT8-771	METER, COMBINATION
7	37102-MN5-008	GLASS COMP., METER
8	37103-MN5-008	PLATE, REFLECTING
9	37104-MT8-008	CASE COMP., METER
10	37105-MN5-008	COVER, CASE
11	37113-ML7-008	CAP
12	37116-KG4-008	CAP A
13	37121-ML7-671	CLAMP
14	37121-MN5-008	CLAMP
15	37130-MT8-771	L.C.D. ASSY.
16	37132-MN5-008	SOCKET COMP., L.C.D.
17	37205-MN5-008	SPEEDOMETER COMP.
18	37213-MT2-008	SWITCH ASSY.
19	37214-MN5-008	KNOB
20	37215-KM1-670	CLAMP
21	37215-KV0-008	CLAMP, WIRE
22	37225-KW3-008	CAP, BULB

Catalog Title:

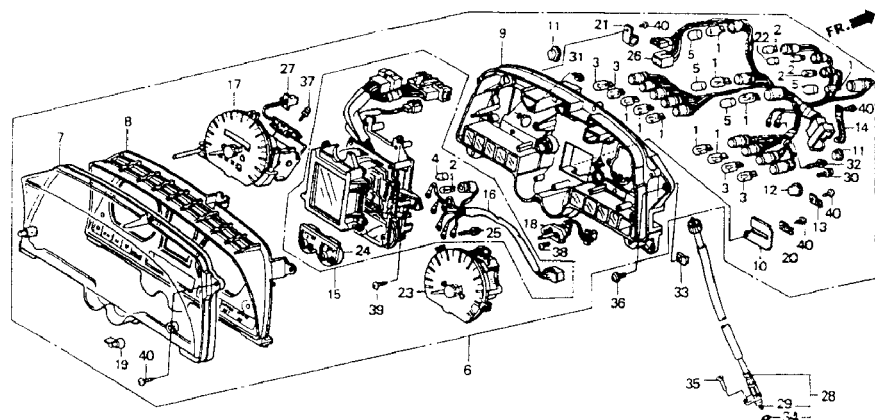
GL1500A / GL1500SE / GL1500I '92 '93

Block No.

F 03

Block Title:

METER (A/SE)



Ref. No.	Part No.	Description
23	37250-MT8-008	TACHOMETER ASSY.
24	37300-MT8-008	METER ASSY.
25	37305-KE5-008	SCREW-WASHER (3X22)
26	37619-MT8-008	SOCKET COMP.
27	37700-MN5-008	SENSOR, SPEEDOMETER
28	44830-MN5-000	CABLE, SPEEDOMETER
29	44831-MN5-000	CABLE (INNER)
30	90032-ML7-671	SCREW, TAP (4X36)
31	90101-GE1-670	SCREW, FLANGE (4X12)
32	90102-MT8-008	SCREW-WASHER (3X12)
33	90305-MN5-000	NUT, PLATE (5MM)
34	91301-027-000	O-RING (6.8X1.9)
34	91306-PJ4-000	O-RING (6.8X1.9)
34	91310-MC7-003	O-RING B (6.8X1.9)
35	93700-05020-0G	SCREW, OVAL (5X20)
36	93891-05016-07	SCREW-WASHER (5X16)
37	93893-03012-18	SCREW-WASHER (3X12)
38	93901-22220	SCREW, TAP (3X10)
39	93901-24410	SCREW, TAP (4X16)
40	93903-24420	SCREW, TAP (4X16)

Catalog Title:

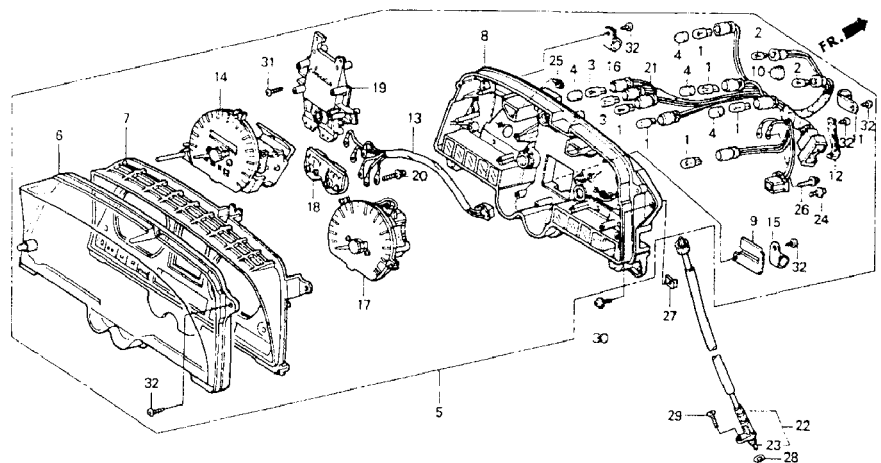
GL1500A / GL1500SE / GL1500I '92 '93

Block No.

F 0301

Block Title:

METER (I)

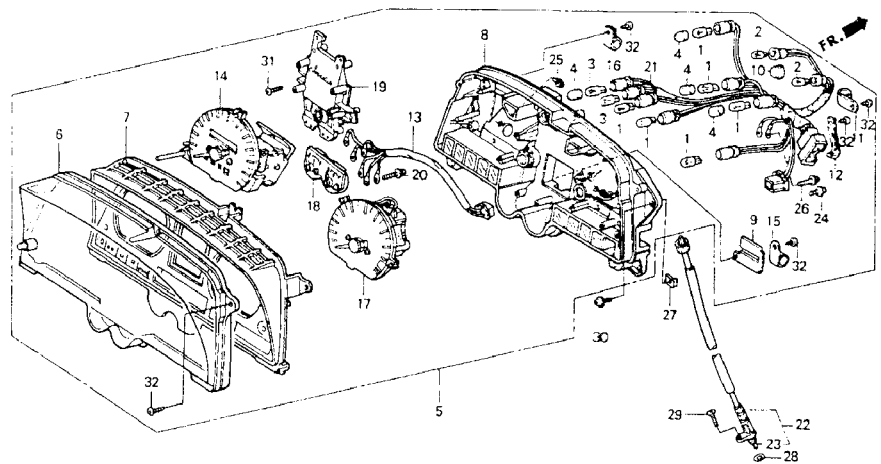


Ref. No.	Part No.	Description
1	34908-GA7-701	BULB (12V 3.4W)
1	37102-567-009	BULB (12V3.4W) (158)
1	37237-SA5-003	BULB (14V3.4W)
1	37237-SA5-004	BULB (12V3.4W) (158)
2	34908-KM1-671	BULB (12V/3W)
3	34908-MB9-871	BULB (12V 1.7W)
4	34910-MN5-008	CAP, BULB (T10 BLUE)
5	37100-MW5-871	METER, COMBINATION
6	37102-MW5-871	GLASS COMP., METER
7	37103-MW5-871	PLATE, REFLECTING
8	37104-MW5-871	CASE COMP., METER
9	37105-MW5-871	COVER
10	37113-KV0-670	CAP
11	37121-ML7-671	CLAMP
12	37121-MN5-008	CLAMP
13	37132-MW5-871	WIRE COMP.
14	37200-MW5-871	SPEEDOMETER ASSY.
15	37215-KM1-670	CLAMP
16	37215-KV0-008	CLAMP, WIRE
17	37250-MT8-008	TACHOMETER ASSY.
18	37300-MT8-008	METER ASSY.
19	37302-MW5-871	CASE (INNER)
20	37305-KE5-008	SCREW-WASHER (3X22)
21	37619-MW5-871	SOCKET COMP., METER
22	44830-MN5-000	CABLE, SPEEDOMETER

Catalog Title:
GL1500A / GL1500SE / GL1500I '92 '93

Block No.
F 0301

Block Title:
METER (I)

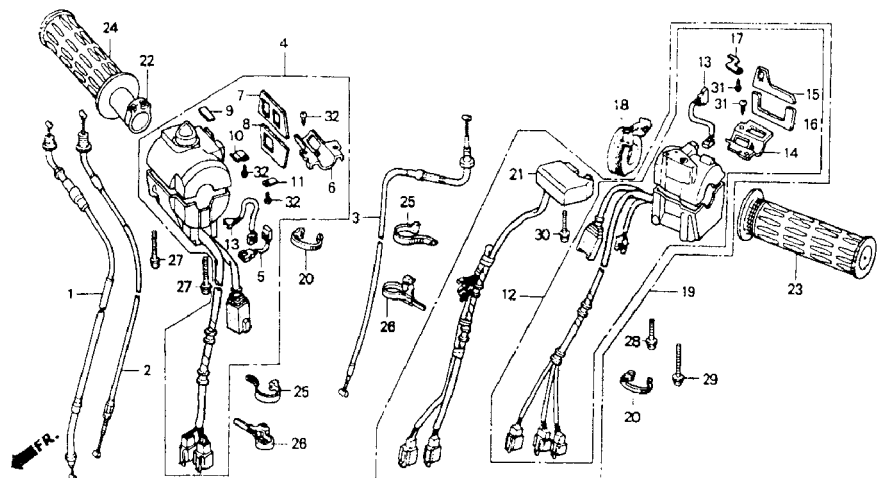


Ref. No.	Part No.	Description
23	44831-MN5-000	CABLE (INNER)
24	90032-ML7-671	SCREW, TAP (4X36)
25	90101-GE1-670	SCREW, FLANGE (4X12)
26	90102-MT8-008	SCREW-WASHER (3X12)
27	90305-MN5-000	NUT, PLATE (5MM)
28	91301-027-000	O-RING (6.8X1.9)
28	91306-PJ4-000	O-RING (6.8X1.9)
28	91310-MC7-003	O-RING B (6.8X1.9)
29	93700-05020-0G	SCREW, OVAL (5X20)
30	93891-05016-07	SCREW-WASHER (5X16)
31	93901-24410	SCREW, TAP (4X16)
32	93903-24420	SCREW, TAP (4X16)

Catalog Title:
GL1500A / GL1500SE / GL1500I '92 '93

Block No.
F 04

Block Title:
HANDLE SWITCH - A '92'93 - SE'92



Ref. No.	Part No.	Description
1	17910-MT8-004	CABLE A, THROTTLE
2	17920-MT8-004	CABLE COMP.
3	17950-MN5-004	CABLE COMP., CHOKE
4	35130-MT2-003	SWITCH ASSY. - A'92'93
4	35130-MT8-771	SWITCH ASSY. - SE'92
5	35131-MT8-771	BULB COMP. A (T3) - SE'92
6	35132-MN5-010	PLATE
7	35133-MN5-000	PLATE A, ORNAMENT - A'92'93
7	35133-MT8-771	PLATE, ORNAMENT - SE'92
8	35134-MN5-000	PLATE, ORNAMENT - A'92'93
8	35134-MT8-771	PLATE, ORNAMENT - SE'92
9	35135-MT8-771	PLATE, ORNAMENT - SE'92
10	35136-MT8-771	CLAMP A - SE'92
11	35137-MT8-771	CLAMP B - SE'92
12	35200-MW5-003	SWITCH, TURN SIGNAL - A'92'93
12	35200-MW5-013	SWITCH, TURN SIGNAL- A'92'93
12	35200-MT8-771	SWITCH, TURN SIGNAL - SE'92
12	35200-MT8-772	SWITCH, TURN SIGNAL - SE'92
13	35201-MT8-771	BULB COMP. (T3) - SE'92
14	35202-MN5-010	PLATE
15	35203-MN5-000	PLATE A, ORNAMENT- A'92'93
15	35203-MT8-771	PLATE, ORNAMENT - SE'92
16	35204-MN5-000	PLATE B, ORNAMENT
17	35206-MT8-771	CLAMP, WIRE - SE'92
18	35209-MN5-000	LEVER, CHOKE

Catalog Title:

GL1500A / GL1500SE / GL1500I '92 '93

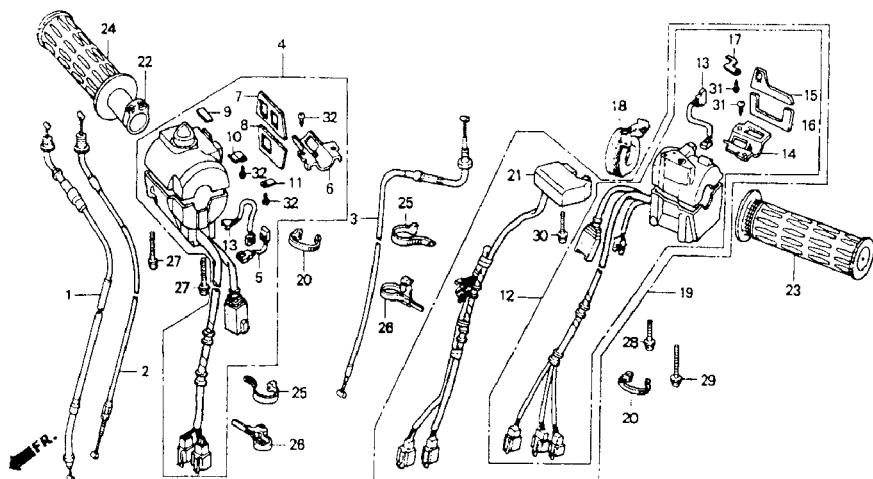
Block No.

F 04

Block Title:

HANDLE SWITCH (A/SE) '92

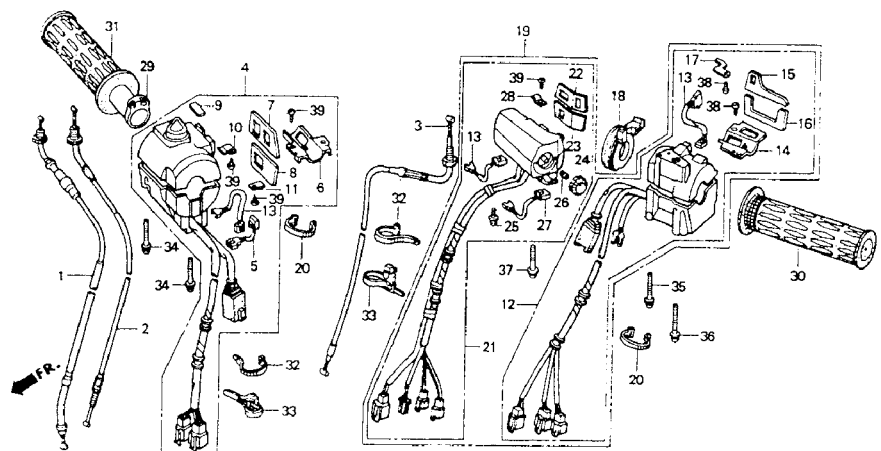
Ref. No.	Part No.	Description
19	35210-MW5-003	SWITCH ASSY.- A'92'93
19	35210-MW5-013	SWITCH ASSY.- A'92'93
19	35210-MT8-771	SWITCH ASSY. - SE'92
20	35701-MG9-950	BAND
21	39210-MN5-020	SWITCH ASSY., AUDIO- A'92'93
21	39210-MT8-771	SWITCH ASSY., AUDIO - SE'92
22	53141-MG9-680	PIPE, GRIP
23	53167-MG9-315	GRIP, L. HANDLEBAR
24	53168-MG9-315	GRIP, R. HANDLEBAR
25	90651-MA6-720	BAND, WIRE HARNESS
26	90690-GHB-611	CLIP (25MM)
26	90690-GHB-661	CLIP, CABLE (20MM)
27	93892-05025-07	SCREW-WASHER (5X25)
27	93892-05026-07	SCREW-WASHER (5X26)
28	93892-05028-07	SCREW-WASHER (5X28)
29	93892-05045-07	SCREW-WASHER (5X45)
30	93893-05032-08	SCREW-WASHER (5X32)
31	93901-32120	SCREW, TAPPING (3X8)
32	93901-32220	SCREW, TAP (3X10)



Catalog Title:
GL1500A / GL1500SE / GL1500I '92 '93

Block No.
F 0401

Block Title:
HANDLE SWITCH (SE) '93

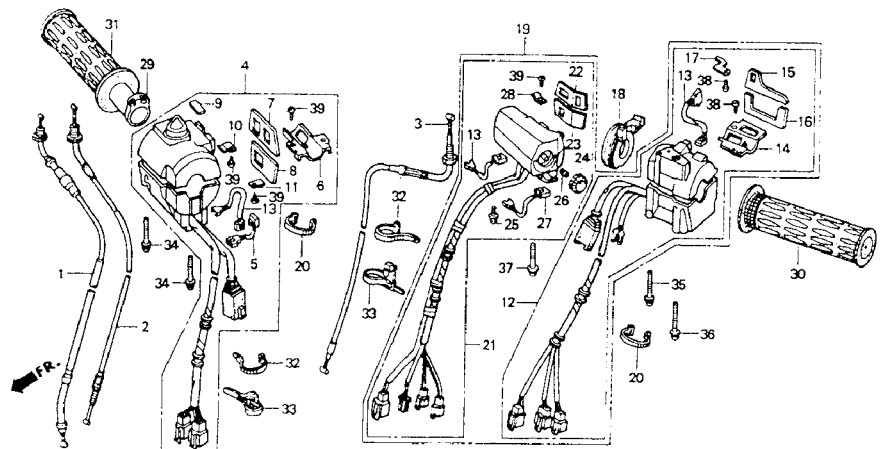


Ref. No.	Part No.	Description
1	17910-MT8-004	CABLE A, THROTTLE
2	17920-MT8-004	CABLE COMP.
3	17950-MN5-004	CABLE COMP., CHOKE
4	35130-MT8-771	SWITCH ASSY.
5	35131-MT8-771	BULB COMP. A (T3)
6	35132-MN5-010	PLATE
7	35133-MT8-771	PLATE, ORNAMENT
8	35134-MT8-771	PLATE, ORNAMENT
9	35135-MT8-771	PLATE, ORNAMENT
10	35136-MT8-771	CLAMP A
11	35137-MT8-771	CLAMP B
12	35200-MT8-771	SWITCH, TURN SIGNAL
12	35200-MT8-772	SWITCH, TURN SIGNAL
13	35201-MT8-771	BULB COMP. (T3)
14	35202-MN5-010	PLATE
15	35203-MT8-771	PLATE, ORNAMENT
16	35204-MN5-000	PLATE B, ORNAMENT
17	35206-MT8-771	CLAMP, WIRE
18	35209-MN5-000	LEVER, CHOKE
19	35210-MZ3-771	SWITCH ASSY.
20	35701-MG9-950	BAND
21	39200-MZ3-771	SWITCH, AUDIO & CB
22	39201-MZ3-771	PLATE, ORNAMENT
23	39202-MZ3-771	PLATE, ORNAMENT
24	39203-MZ3-771	KNOB, FADER

Catalog Title:
GL1500A / GL1500SE / GL1500I '92 '93

Block No.
F 0401

Block Title:
HANDLE SWITCH (SE) '93



Ref. No.	Part No.	Description
25	39204-MZ3-771	SCREW-WASHER (3X8)
26	39205-MZ3-771	SPRING, PLATE KNOB
27	39206-MZ3-771	BULB COMP. (T3)
28	39214-MZ3-771	CLAMP, CORD
29	53141-MG9-680	PIPE, GRIP
30	53167-MG9-315	GRIP, L. HANDLEBAR
31	53168-MG9-315	GRIP, R. HANDLEBAR
32	90651-MA6-720	BAND, WIRE HARNESS
33	90690-GHB-611	CLIP (25MM)
33	90690-GHB-661	CLIP, CABLE (20MM)
34	93892-05025-07	SCREW-WASHER (5X25)
34	93892-05026-07	SCREW-WASHER (5X26)
35	93892-05028-07	SCREW-WASHER (5X28)
36	93892-05045-07	SCREW-WASHER (5X45)
37	93893-05032-08	SCREW-WASHER (5X32)
38	93901-32120	SCREW, TAPPING (3X8)
39	93901-32220	SCREW, TAP (3X10)

Catalog Title:

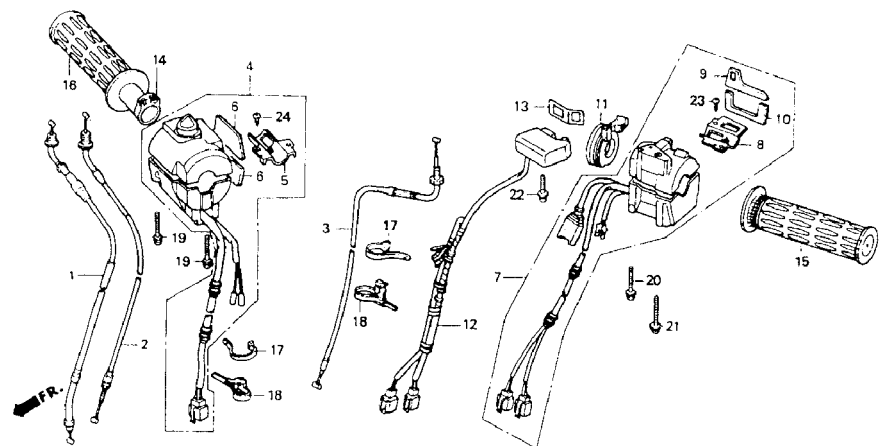
GL1500A / GL1500SE / GL1500I '92 '93

Block No.

F 0402

Block Title:

HANDLE SWITCH (I)



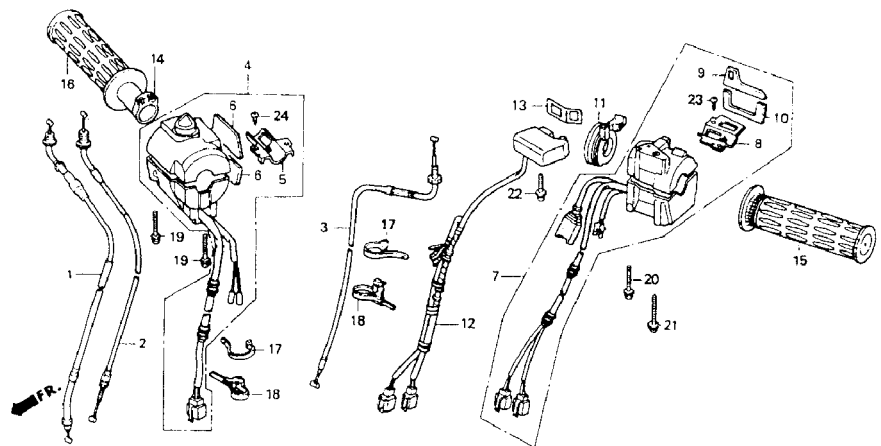
Ref. No.	Part No.	Description
1	17910-MT2-000	CABLE A, THROTTLE
2	17920-MW5-870	CABLE B, THROTTLE
3	17950-MN5-004	CABLE COMP., CHOKE
4	35130-MW5-871	SWITCH ASSY.
5	35132-MN5-010	PLATE
6	35133-MW5-871	PLATE, ORNAMENT
7	35200-MW5-871	SWITCH, TURN SIGNAL
7	35200-MW5-872	SWITCH, TURN SIGNAL
8	35202-MN5-010	PLATE
9	35203-MN5-000	PLATE A, ORNAMENT
10	35204-MN5-000	PLATE B, ORNAMENT
11	35209-MN5-000	LEVER, CHOKE
12	39210-MY4-871	SWITCH ASSY., AUDIO
13	39212-MY4-871	PLATE, ORNAMENT
14	53141-MG9-680	PIPE, GRIP
15	53167-MG9-315	GRIP, L. HANDLEBAR
16	53168-MG9-315	GRIP, R. HANDLEBAR
17	90651-MA6-720	BAND, WIRE HARNESS
18	90690-GHB-611	CLIP (25MM)
18	90690-GHB-661	CLIP, CABLE (20MM)
19	93892-05025-07	SCREW-WASHER (5X25)
19	93892-05026-07	SCREW-WASHER (5X26)
20	93892-05028-07	SCREW-WASHER (5X28)
21	93892-05045-07	SCREW-WASHER (5X45)
22	93893-05032-08	SCREW-WASHER (5X32)

Catalog Title:
GL1500A / GL1500SE / GL1500I '92 '93

Block No.
F 0402

Block Title:
HANDLE SWITCH (I)

Ref. No.	Part No.	Description
23	93901-32120	SCREW, TAPPING (3X8)
24	93901-32220	SCREW, TAP (3X10)

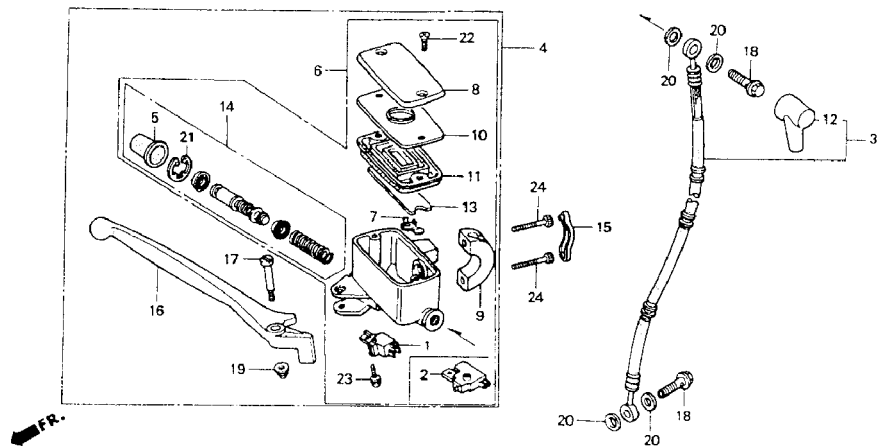


Catalog Title:
GL1500A / GL1500SE / GL1500I '92 '93

Block No.
F 05

Block Title:
FR. BRAKE MASTER CYLINDER

Ref. No.	Part No.	Description
1	35340-MG9-305	SWITCH, FR. STOP - A'92'93, SE'92'93
1	35340-MG9-951	SWITCH ASSY., FR - A'92'93, SE'92'93
2	35340-MM5-600	SWITCH, FR. STOP - I '92'93
3	45125-MT8-003	HOSE, R. FR. BRAKE
4	45500-MT8-026	M/CYL ASSY., FR. - A/SE'92
4	45500-MW5-871	M/CYL ASSY., FR. - I'92
5	45504-410-003	BOOT COMP.
6	45510-MT8-305	M/CYL SUB-ASSY, FR. - A/SE'93
6	45510-MW5-305	M/CYL SUB-ASSY, FR. - I'93
7	45512-MA6-006	PROTECTOR
8	45513-MN5-006	CAP, MASTER CYLINDER
9	45517-MN5-006	HOLDER
10	45518-MM5-006	PLATE, DIAPHRAGM
11	45520-MM5-006	DIAPHRAGM
12	45522-422-000	BOOT
13	45523-MN5-006	FLOAT, FR.
14	45530-MG9-951	MASTER CYLINDER SET
15	45553-MN5-000	CAP - A/SE'92'93
16	53175-MT8-016	LEVER, R. HANDLEBAR
17	90114-MG9-951	BOLT, HANDLEBAR
18	90145-MS9-611	BOLT, OIL (10X22)
18	90145-MS9-612	BOLT, OIL (10X22)
19	90202-ZV0-000	NUT, CAP (6MM)
20	90545-300-000	WASHER, OIL BOLT
21	90651-MA5-671	CIRCLIP

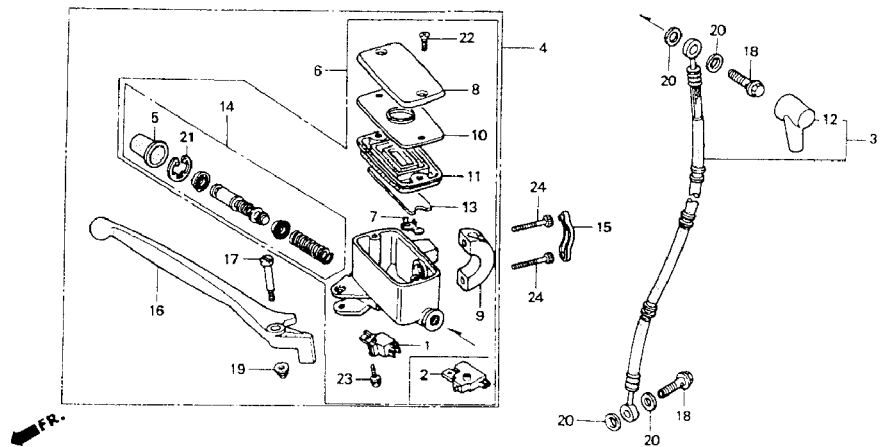


Catalog Title:
GL1500A / GL1500SE / GL1500I '92 '93

Block No.
F 05

Block Title:
FR. BRAKE MASTER CYLINDER

Ref. No.	Part No.	Description
22	93600-04012-0G	SCREW, FLAT (4X12)
22	93600-04012-1G	SCREW, FLAT (4X12)
23	93893-04012-08	SCREW-WASHER (4X12)
23	93893-04012-18	SCREW-WASHER (4X12)
24	96600-06020-17	BOLT, SOCKET (6X20)



Catalog Title:

GL1500A / GL1500SE / GL1500I '92 '93

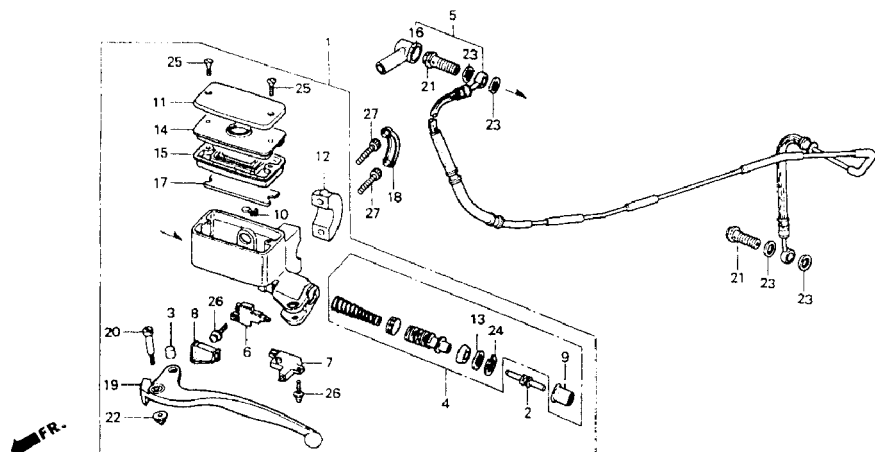
Block No.

F 06

Block Title:

CLUTCH MASTER CYLINDER

Ref. No.	Part No.	Description
1	22880-MN5-006	M/CYL ASSY., CLUTCH - A/SE'92'93
1	22880-MW5-871	M/CYL ASSY., CLUTCH - I '92'93
2	22884-MB0-006	ROD, PUSH
3	22885-MB0-006	BUSH
4	22886-MB4-305	PISTON SET
5	22900-MT2-000	HOSE COMP., CLUTCH
6	35330-MB0-003	SWITCH ASSY., CLUTCH
7	35335-MG9-951	SWITCH ASSY. - A/SE'92'93
8	35359-MN5-000	COVER, CLUTCH SWITCH
9	45504-410-003	BOOT COMP.
10	45512-MA6-006	PROTECTOR
11	45513-MN5-006	CAP, MASTER CYLINDER
12	45517-MN5-006	HOLDER
13	45518-MB0-006	PLATE, STOPPER
14	45518-MM5-006	PLATE, DIAPHRAGM
15	45520-MM5-006	DIAPHRAGM
16	45522-422-000	BOOT
17	45523-MN5-006	FLOAT, FR.
18	45553-MN5-000	CAP - A/SE'92'93
19	53178-MN5-006	LEVER, L. HANDLE
20	90114-MG9-951	BOLT, HANDLEBAR
21	90145-MS9-611	BOLT, OIL (10X22)
21	90145-MS9-612	BOLT, OIL (10X22)
22	90202-ZV0-000	NUT, CAP (6MM)
23	90545-300-000	WASHER, OIL BOLT

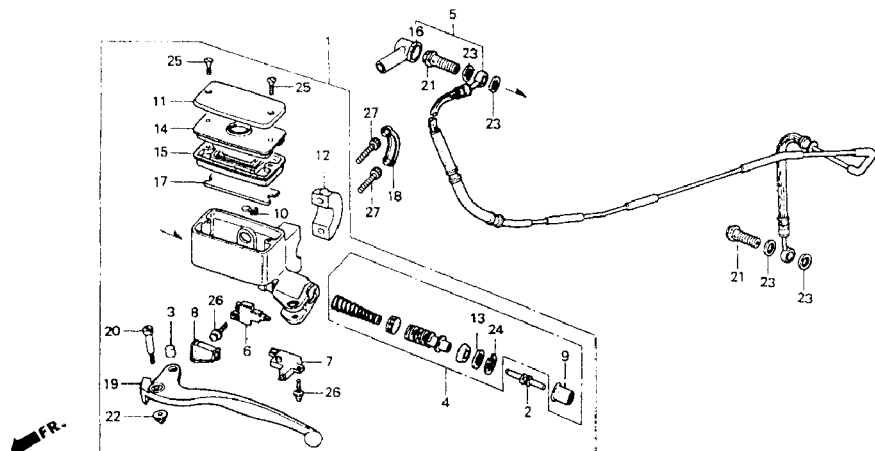


Catalog Title:
GL1500A / GL1500SE / GL1500I '92 '93

Block No.
F 06

Block Title:
CLUTCH MASTER CYLINDER

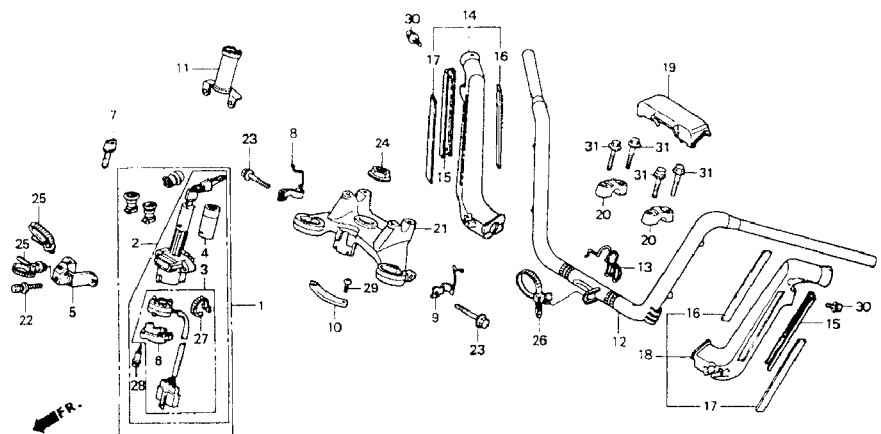
Ref. No.	Part No.	Description
24	90651-377-003	CIRCLIP (18MM)
25	93600-04012-0G	SCREW, FLAT (4X12)
25	93600-04012-1G	SCREW, FLAT (4X12)
26	93893-04012-07	SCREW-WASHER (4X12)
27	96600-06020-17	BOLT, SOCKET (6X20)



Catalog Title:
GL1500A / GL1500SE / GL1500I '92 '93

Block No.
F 07

Block Title:
HANDLEBAR

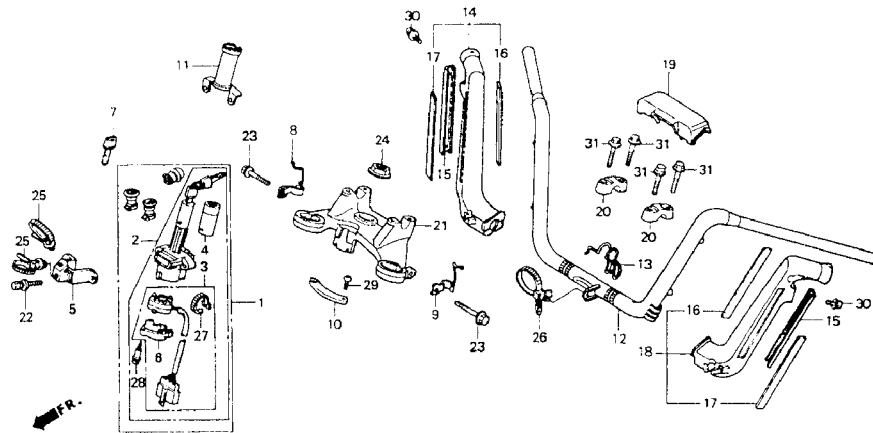


Ref. No.	Part No.	Description
1	35010-MT8-771	LOCK SET - A/SE'92'93
1	35010-MW5-870	LOCK SET - I '92'93
2	35100-MT8-771	SWITCH ASSY.
3	35101-MT8-771	BASE COMP., CONTACT
4	35102-MT8-770	CAP
5	35105-MN5-000	STAY
6	35105-MT8-770	COVER, SWITCH
7	35121-MN5-810	KEY, BLANK (TYPE1) - A/SE'92'93
7	35122-MN5-810	KEY, BLANK (TYPE2) - A/SE'92'93
7	35121-KW3-771	KEY, BLANK (TYPE1) - I '92'93
7	35122-KW3-771	KEY, BLANK (TYPE2) - I'92'93
8	45158-MN5-000	CLAMP, R. HOSE - '92
8	45158-MZ3-000	CLAMP, R. HOSE - '93
9	45159-MN5-000	CLAMP, L. HOSE - '92
9	45159-MZ3-000	CLAMP, L. HOSE - '93
10	50341-MN5-000	CVR, HANDLE STOPPER
11	50410-MT8-000	GUARD
12	53100-MN5-000	HANDLEBAR '92
12	53100-MZ3-000	HANDLEBAR
13	53101-MW5-000	GUIDE
14	53110-MN5-000ZA	CVR *NH159L* (TYPE1) - A/I '92'93, SE'93
14	53110-MN5-000ZE	COVER *B75L* (TYPE5) - SE'92'93
15	53111-MN5-000ZA	PLATE *NH159L* - A/I '92'93, SE'93
15	53111-MN5-000ZE	PLATE *B75L* (TYPE5) - SE'92'93
16	53115-MN5-300	MOLDING A

Catalog Title:
GL1500A / GL1500SE / GL1500I '92 '93

Block No.
F 07

Block Title:
HANDLEBAR



Ref. No.	Part No.	Description
17	53116-MN5-300	MOLDING B
18	53120-MN5-000ZA	CVR *NH159L* (TYPE1) - A/I '92'93, SE'93
18	53120-MN5-000ZE	COVER *B75L* (TYPE5) - SE'92'93
19	53130-MN5-000	COVER, HANDLE CENTER
20	53131-MN5-000	HOLDER (UPPER)
21	53230-MN5-000	BRIDGE, FORK TOP - '92
21	53230-MN5-610	BRIDGE, FORK TOP - '92
21	53230-MZ3-000	BRIDGE, FORK TOP - '93
22	90103-MN5-000	BOLT
23	90155-167-000	BOLT, FLANGE (7X36) - '92
23	90112-KE1-760	BOLT, FLANGE (8X35) - '93
24	90304-MJ4-670	NUT, STEERING STEM
25	90672-MN5-000	CLIP, WIRE HARNESS
26	90672-SA0-003	STRAP, CABLE (118MM)
27	91058-MG9-681	BAND, SELF-LOCK
28	91059-MG9-681	SCREW, TAP (3X16)
29	93500-04006-0G	SCREW, PAN (4X6)
30	93891-04008-07	SCREW-WASHER (4X8)
30	93891-04008-17	SCREW-WASHER (4X8)
31	95701-08035-02	BOLT, FLANGE (8X35)

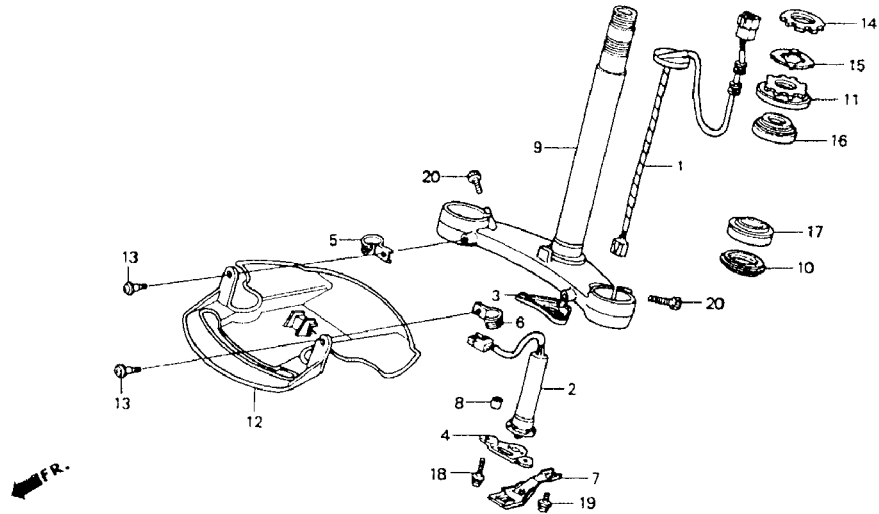
Selection table for lock or blank key

Refer to the following selection table to select the lock or blank key.

Type	Key No.
TYPE 1	A **, B **
TYPE 2	C **, D **

* : 0, 1, 2, 3, 4, 5, 6, 7, 8 or 9

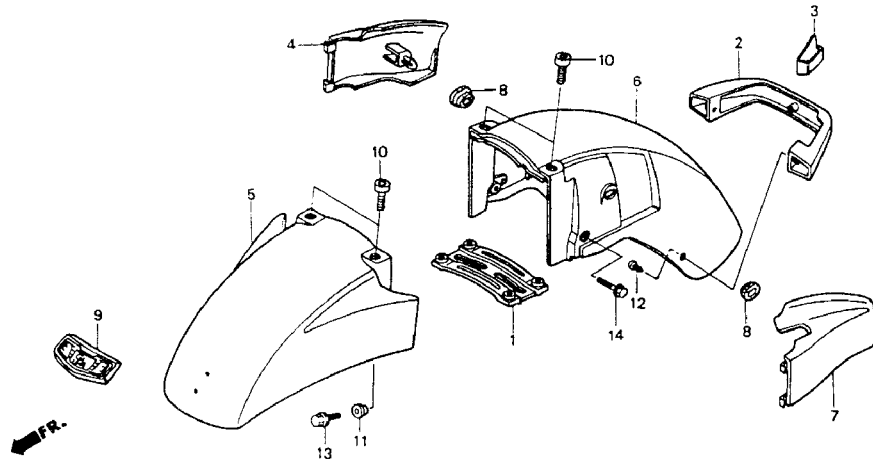
Ref. No.	Part No.	Description
1	32108-MN5-000	SUB-WIRE, CANCEL - A/SE'92'93
2	35220-MB3-771	CANCEL UNIT - A/SE'92'93
2	35220-MB3-772	CANCEL UNIT - A/SE'92'93
2	35220-MN5-003	CANCEL UNIT - A/SE'92'93
3	35231-MG9-680	PLATE, ANGLE SENSOR - A/SE'92'93
4	35255-MN5-000	PLATE, ANGLE SENSOR
5	45156-MN5-000	CLAMP, R. FR.
6	45157-MN5-000	CLAMP, L. FR.
7	50231-MB9-010	SUPPORT, SENSOR - A/SE'92'93
8	52156-GB0-900	COLLAR, HANDLE COVER - I'92'93
9	53200-MN5-000	STEM COMP., STEERING
10	53214-371-010	DUST SEAL
11	53220-422-000	THREAD COMP. (UPPER)
12	61403-MT8-010	PROTECTOR, WIND
13	90105-MB1-000	SCREW (5X12)
14	90302-425-830	THREAD
15	90506-425-830	WASHER, LOCK
16	91015-425-831	BEARING, HEAD PIPE
16	91015-425-832	BEARING, HEAD PIPE
17	91016-371-000	BEARING, HEAD PIPE
18	93893-05016-07	SCREW-WASHER (5X16)
19	93894-05012-07	SCREW-WASHER (5X12) - A/SE'92'93
20	96700-10025-17	BOLT, SOCKET (10X25)



Catalog Title:
GL1500A / GL1500SE / GL1500I '92 '93

Block No.
F 09

Block Title:
FRONT FENDER



Ref. No.	Part No.	Description
1	61101-MN5-000	STAY, FENDER
2	61102-MW5-000ZA	GUARD *MRCR2* - A/SE'92'93
2	61102-MN5-000ZA	GUARD *NH132M* - I '92'93
3	61103-MN5-000	GUIDE, CABLE
4	61104-MN5-000ZN	CVR, R. FR. *R176C* - A/I'92'93
4	61104-MN5-000ZP	CVR, R. FR. *PB240M* - A/I'92'93
4	61104-MN5-000ZJ	COVER, R. FR. *NH1Z* - A/I'93
4	61104-MN5-000ZR	CVR, R. FR. *B134M* - SE '92'93
4	61104-MN5-000ZQ	CVR, R. FR. *NH326P* - SE'93
4	61104-MN5-000ZS	CVR, R. FR. *PB255P* - SE'93
5	61105-MN5-000ZN	FDR A, FR. *R176C* - A/I '92'93
5	61105-MN5-000ZP	FDR A, FR. *PB240M* - A/I '92'93
5	61105-MN5-000ZJ	FENDER A, FR. *NH1Z* - A/I'93
5	61105-MN5-000ZQ	FDR A, FR. *B134M* - SE'92 '93
5	61105-MN5-000ZR	FDR A, FR. *B134M* - SE '92'93
5	61105-MN5-000ZS	FDR A, FR. *NH326P* - SE'93
5	61105-MN5-000ZT	FDR A, FR. *PB255P* - SE'93
6	61106-MN5-000ZN	FENDER B *R176C* - A/I '92'93
6	61106-MN5-000ZP	FENDER B *PB240M* - A/I '92'93
6	61106-MN5-000ZJ	FENDER B, FR. *NH1Z* - A/I '93
6	61106-MN5-000ZQ	FENDER B *B134M* - SE'92'93
6	61106-MN5-000ZR	FENDER B *B134M* - SE'92'93
6	61106-MN5-000ZS	FENDER B *NH326P* - SE'93
6	61106-MN5-000ZT	FENDER B *PB255P* - SE'93
7	61114-MN5-000ZN	CVR, L. FR. *R176C* - A/I '92'93

Catalog Title:

GL1500A / GL1500SE / GL1500I '92 '93

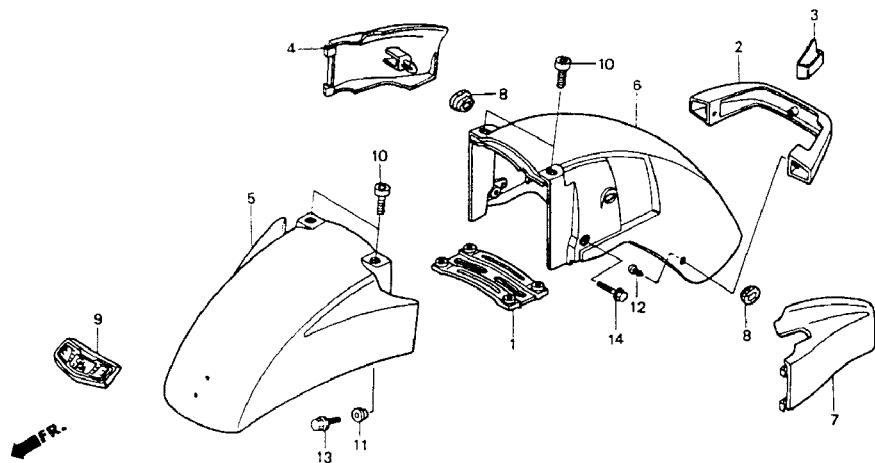
Block No.

F 09

Block Title:

FRONT FENDER

Ref. No.	Part No.	Description
7	61114-MN5-000ZP	CVR, L. FR. *PB240M* - A/I '92'93
7	61114-MN5-000ZJ	COVER, L. FR. *NH1Z* - A/I '93
7	61114-MN5-000ZR	CVR, L. FR. *B134M* - SE'92'93
7	61114-MN5-000ZQ	CVR, L. FR. *NH326P* - SE'93
7	61114-MN5-000ZS	CVR, L. FR. *PB255P* - SE'93
8	64266-MG9-770	GROMMET
9	87124-MT8-000	EMBLEM, FR. FENDER - A/I '92'93
9	87124-MT8-770	EMBLEM, FR. FENDER - SE'92'93
10	90124-MN5-000	BOLT, SOCKET (7X17)
11	90555-197-890	WASHER, FLG (6X3.5)
12	93903-24220	SCREW, TAP (4X10)
13	95701-06010-08	BOLT, FLANGE (6X10)
14	95701-06016-08	BOLT, FLANGE (6X16)



Catalog Title:

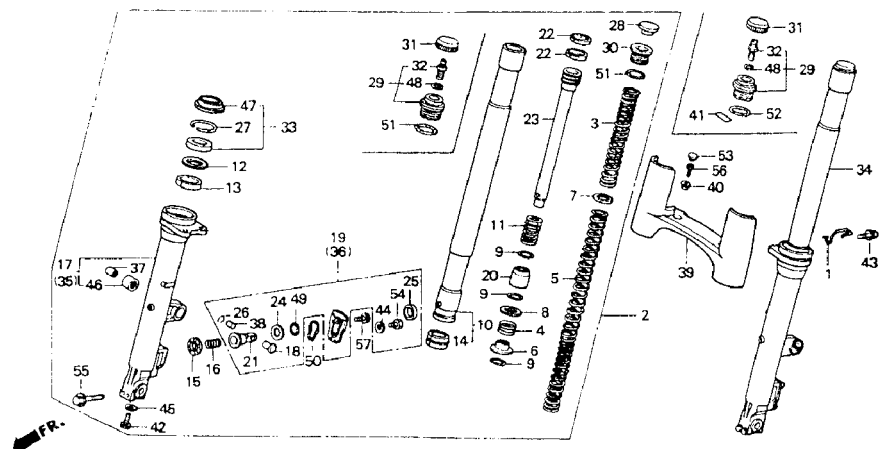
GL1500A / GL1500SE / GL1500I '92 '93

Block No.

F 10

Block Title:

FRONT FORK A / SE '92 '93



Ref. No.	Part No.	Description
1	44832-MT8-000	GUIDE, METER CABLE
2	51400-MT8-003	FORK ASSY., R. FR.-A/SE'92
2	51400-MZ3-771	FORK ASSY., R. FR. A/SE'93
3	51401-MN5-003	SPRING, FR. FORK
4	51402-MB7-611	SPRING, OIL LOCK
5	51402-MN5-003	SPRING B, FR. FORK
6	51403-MB7-611	VALVE, OIL LOCK
7	51404-MB4-003	PLATE, SPRING JOINT
8	51404-MB7-611	SEAT, SPRING
9	51405-MB7-611	RING, STOPPER
10	51410-MT8-003	PIPE COMP., FR. FORK
11	51411-MN5-003	SPRING, REBOUND
12	51412-MB4-003	RING, BACK-UP
13	51414-MN5-003	BUSH, GUIDE
14	51415-MN5-003	BUSH, SLIDER
15	51417-MJ6-013	GASKET
16	51418-MN5-003	SPRING, PISTON
17	51421-MN5-003	CASE, R. (LOWER)
18	51423-MJ0-003	COLLAR, PISTON
19	51430-MT8-003	CASE COMP., PISTON
20	51432-MN5-003	PIECE, OIL LOCK
21	51436-MT8-003	PISTON
22	51437-MN5-003	RING, PISTON
23	51440-MN5-003	PIPE, SEAT
24	51441-MT8-003	RUBBER, STOPPER

Catalog Title:

GL1500A / GL1500SE / GL1500I '92 '93

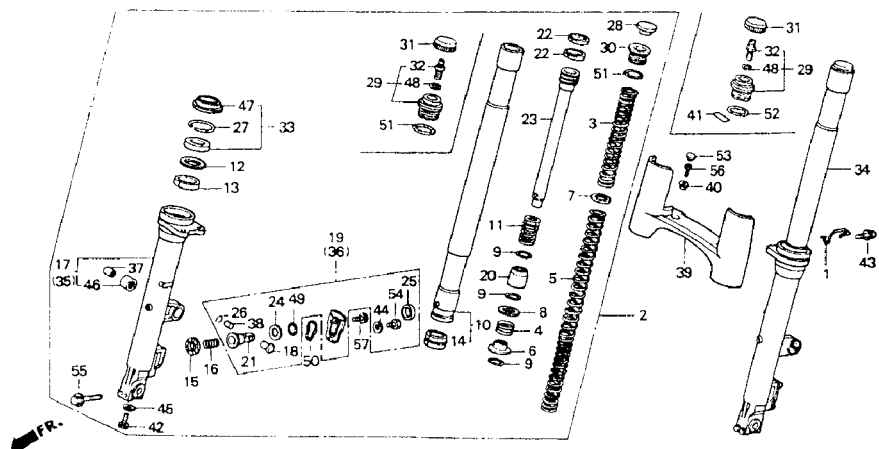
Block No.

F 10

Block Title:

FRONT FORK (A/SE)

Ref. No.	Part No.	Description
25	51442-MJ0-003	BOOT, PISTON CASE
26	51445-MJ0-003	RING, STOPPER
27	51447-KA4-711	RING
28	51449-MN5-003	CAP, FORK PIPE - A/SE '92
29	51450-MN5-305	BOLT ASSY., FR. FORK
30	51455-MN5-003	BOLT, FR. FORK - A/SE '92
31	51456-MB2-003	CAP, AIR VALVE
32	51456-469-013	VALVE COMP., AIR
33	51490-MN8-305	SEAL SET, FR. FORK
34	51500-MT8-003	FORK ASSY., L. FR. - A/SE '92
34	51500-MZ3-771	FORK ASSY., L. FR. - A/SE '93
35	51521-MN5-003	CASE, L. (LOWER)
36	51530-MT8-003	CASE, L. PISTON
37	51536-ML7-000	COLLAR, L. FR.
38	51545-MJ0-003	BUSH, RUBBER
39	61050-MW5-000ZA	CVR *MRCR2* (TYPE7)
40	64630-GE3-610	COLLAR
41	87517-KM9-640	LABEL, FR. - A/SE '92
42	90116-KV3-701	BOLT, SOCKET (8MM)
43	90132-MN5-000	SCREW-WASHER (5X12)
44	90543-273-000	GASKET, FR.
45	90544-283-000	WASHER (8MM)

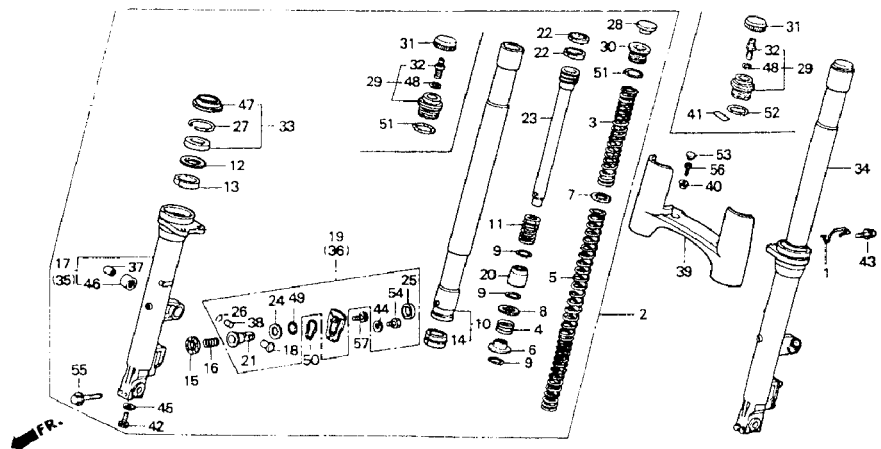


Catalog Title:
GL1500A / GL1500SE / GL1500I '92 '93

Block No.
F 10

Block Title:
FRONT FORK (A/SE)

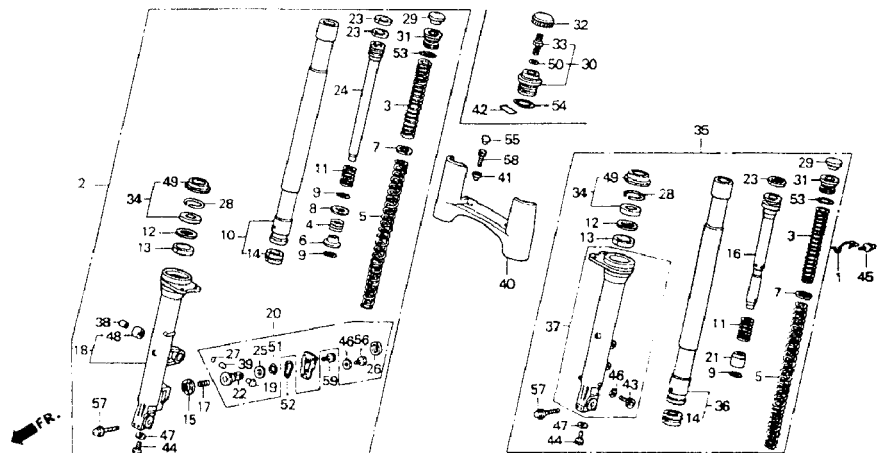
Ref. No.	Part No.	Description
46	91071-ML7-003	BEARING (1422)
47	91254-MM8-003	DUST SEAL
48	91301-469-003	O-RING (5.8X1.9)
48	91305-323-000	O-RING (5.8X1.9)
48	91318-ME5-003	O-RING (5.6X1.9)
49	91304-MJ0-003	O-RING (15.8X2.4)
50	91308-MJ0-003	O-RING
51	91356-KF0-003	O-RING (33.2X2.4)
52	91356-KF0-003	O-RING (33.2X2.4) - A/SE '92
53	91455-MG8-000	CAP (6MM)
54	92101-06008-0A	BOLT, HEX. (6X8)
55	96400-08045-08	BOLT, FLANGE (8X45)
56	96700-06010-08	BOLT, SOCKET (6X10)
57	96600-06016-00	BOLT, SOCKET (6X16)
57	96700-06016-00	BOLT, SOCKET (6X16)
57	96700-06016-17	BOLT, SOCKET (6X16)



Catalog Title:
GL1500A / GL1500SE / GL1500I '92 '93

Block No.
F 1001

Block Title:
FRONT FORK (I)

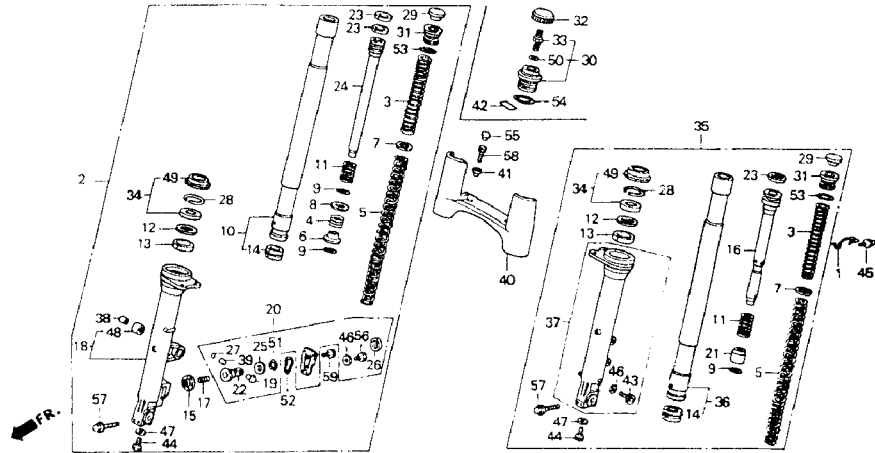


Ref. No.	Part No.	Description
1	44832-MT8-000	GUIDE, METER CABLE
2	51400-MW5-871	FORK ASSY., R. FR.
3	51401-MN5-003	SPRING, FR. FORK
4	51402-MB7-611	SPRING, OIL LOCK
5	51402-MN5-003	SPRING B, FR. FORK
6	51403-MB7-611	VALVE, OIL LOCK
7	51404-MB4-003	PLATE, SPRING JOINT
8	51404-MB7-611	SEAT, SPRING
9	51405-MB7-611	RING, STOPPER
10	51410-MT8-003	PIPE COMP., FR. FORK
11	51411-MN5-003	SPRING, REBOUND
12	51412-MB4-003	RING, BACK-UP
13	51414-MN5-003	BUSH, GUIDE
14	51415-MN5-003	BUSH, SLIDER
15	51417-MJ6-013	GASKET
16	51417-MW5-871	PIPE, L. SEAT
17	51418-MN5-003	SPRING, PISTON
18	51421-MN5-003	CASE, R. (LOWER)
19	51423-MJ0-003	COLLAR, PISTON
20	51430-MT8-003	CASE COMP., PISTON
21	51432-MN5-003	PIECE, OIL LOCK
22	51436-MT8-003	PISTON
23	51437-MN5-003	RING, PISTON
24	51440-MN5-003	PIPE, SEAT
25	51441-MT8-003	RUBBER, STOPPER

Catalog Title:
GL1500A / GL1500SE / GL1500I '92 '93

Block No.
F 1001

Block Title:
FRONT FORK (I)



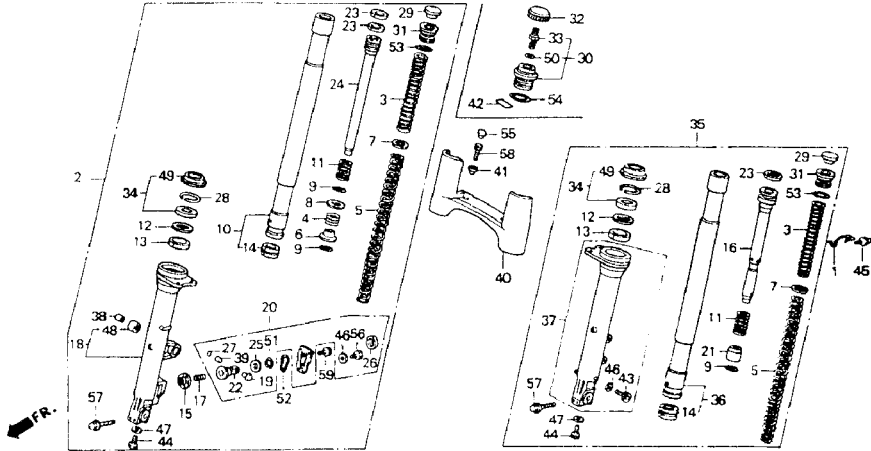
Ref. No.	Part No.	Description
26	51442-MJ0-003	BOOT, PISTON CASE
27	51445-MJ0-003	RING, STOPPER
28	51447-KA4-711	RING
29	51449-MN5-003	CAP, FORK PIPE
30	51450-MN5-305	BOLT ASSY., FR. FORK
31	51455-MN5-003	BOLT, FR. FORK
32	51456-MB2-003	CAP, AIR VALVE
33	51456-469-013	VALVE COMP., AIR
34	51490-MN8-305	SEAL SET, FR. FORK
35	51500-MW5-871	FORK ASSY., L. FR.
36	51510-MW5-871	PIPE, L. FR. FORK
37	51521-MW5-871	CASE, L. (LOWER)
38	51536-ML7-000	COLLAR, L. FR.
39	51545-MJ0-003	BUSH, RUBBER
40	61050-MN5-000ZA	CVR "NH132M" (TYPE1)
41	64630-GE3-610	COLLAR
42	87517-KM9-640	LABEL, FR.
43	90111-MK7-671	BOLT, SOCKET (6X8)
44	90116-KV3-701	BOLT, SOCKET (8MM)
45	90132-MN5-000	SCREW-WASHER (5X12)
46	90543-273-000	GASKET, FR.
47	90544-283-000	WASHER (8MM)
48	91071-ML7-003	BEARING (1422)
49	91254-MM8-003	DUST SEAL
50	91301-469-003	O-RING (5.8X1.9)

Catalog Title:
GL1500A / GL1500SE / GL1500I '92 '93

Block No.
F 1001

Block Title:
FRONT FORK (I)

Ref. No.	Part No.	Description
50	91305-323-000	O-RING (5.8X1.9)
50	91318-ME5-003	O-RING (5.6X1.9)
51	91304-MJ0-003	O-RING (15.8X2.4)
52	91308-MJ0-003	O-RING
53	91356-KF0-003	O-RING (33.2X2.4)
54	91356-KF0-003	O-RING (33.2X2.4)
55	91455-MG8-000	CAP (6MM)
56	92101-06008-0A	BOLT, HEX. (6X8)
57	96400-08045-08	BOLT, FLANGE (8X45)
58	96700-06010-08	BOLT, SOCKET (6X10)
59	96600-06016-00	BOLT, SOCKET (6X16)
59	96700-06016-00	BOLT, SOCKET (6X16)
59	96700-06016-17	BOLT, SOCKET (6X16)



Catalog Title:

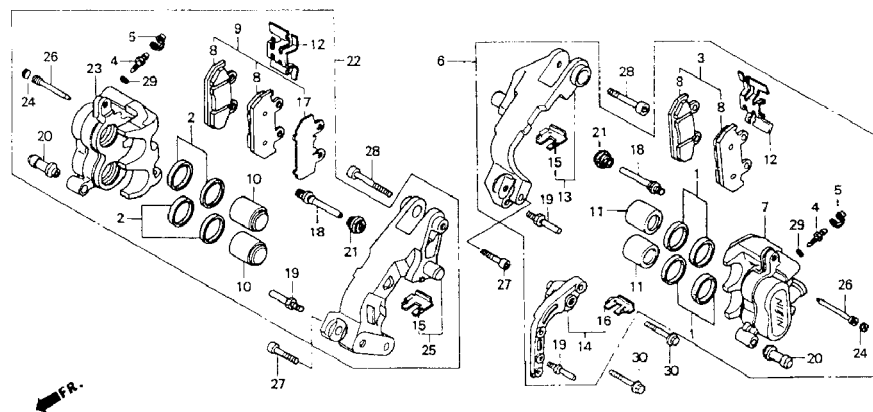
GL1500A / GL1500SE / GL1500I '92 '93

Block No.

F 11

Block Title:

FRONT BRAKE CALIPER



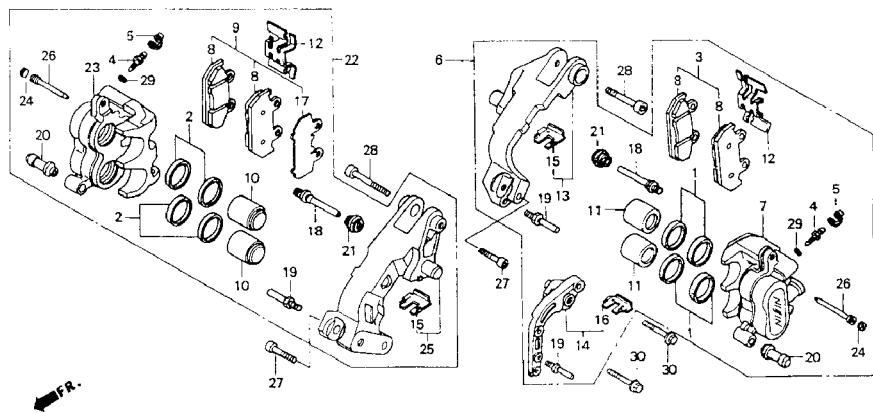
Ref. No.	Part No.	Description
1	06451-GE2-405	SEAL SET, PISTON
2	06451-166-405	SEAL SET, PISTON
3	06455-MT8-405	PAD SET, FR. - '93
4	43352-MG9-006	SCREW, BLEEDER
5	43353-MG9-006	CAP, BLEEDER SCREW
5	43353-443-761	CAP, BLEEDER SCREW
5	43353-461-771	CAP, BLEEDER
6	45100-MT8-008	CLPR, L. FR. BRAKE - A/SE'92'93
6	45100-MW5-871	CALIPER, L. FR. - I'92'93
7	45101-MT8-006	CALIPER, L. FR.
8	45105-MT8-008	PAD, FR. (TT2450GG)
9	45106-MT8-305	PAD SET, FR.
10	45107-MN5-006	PISTON
11	45107-MT8-006	PISTON
12	45108-KV0-701	SPRING, PAD
13	45110-MN5-006	BRACKET, L. FR. - A/SE'92'93
14	45110-MW5-871	BRACKET, L. FR. - I'92'93
15	45112-MN5-006	RETAINER, BRACKET
16	45112-MW5-871	RETAINER, BRACKET - I'92'93
17	45114-MT8-006	SHIM
18	45131-HA5-672	BOLT A, BOLT
19	45131-166-016	PIN, BOLT
20	45132-166-016	BUSH, PIN

Catalog Title:
GL1500A / GL1500SE / GL1500I '92 '93

Block No.
F 11

Block Title:
FRONT BRAKE CALIPER

Ref. No.	Part No.	Description
21	45133-MA3-006	BOOT B
22	45200-MT8-018	CLPR, R. FR. BRAKE
23	45201-MT8-006	CALIPER, R. FR.
24	45203-MG3-016	PLUG, PIN
25	45210-MN5-006	BRACKET, R. FR.
26	45215-KA3-732	PIN, HANGER
27	90105-MT8-000	BOLT, SOCKET (6X25)
28	90131-ML7-000	BOLT, SOCKET (8X36)
29	91355-MG9-006	O-RING
30	96400-08032-00	BOLT, FLANGE (8X32) - I '92
30	90131-KBV-003	BOLT, FLANGE (8X32) - I '93
900	451A0-MT8-670	BRAKE PAD KIT
900	45106-MT8-305	PAD SET, FR.

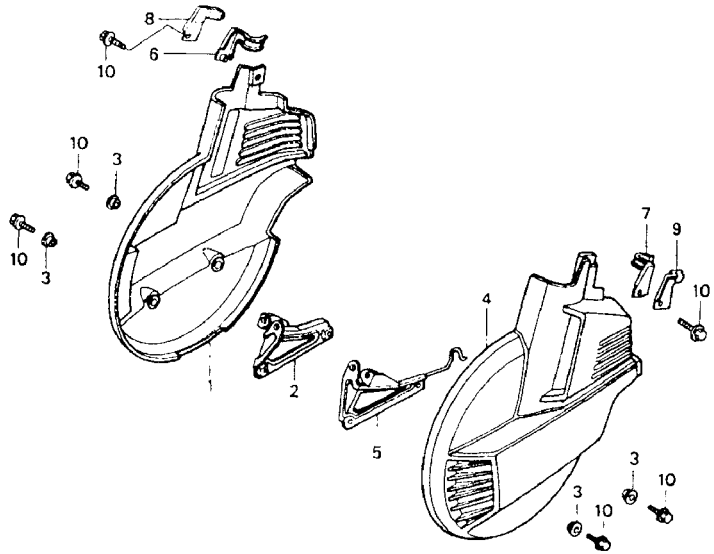


Catalog Title:
GL1500A / GL1500SE / GL1500I '92 '93

Block No.
F 12

Block Title:
FRONT WHEEL COVER

Ref. No.	Part No.	Description
1	44111-MW5-000	COVER, R. FR. WHEEL - A/SE'92'93
1	44111-MAF-000ZB	CVR, R. FR. (TYPE1) - I '92'93
1	44111-MN5-000ZA	CVR *NH132M* (TYPE1) - I '92'93
2	44115-MN5-000	STAY, R. FR.
3	44125-MN5-000	COLLAR, FR.
4	44211-MW5-000	COVER, L. FR. WHEEL - A/SE'92'93
4	44211-MAF-000ZB	CVR, L. FR. (TYPE1) - I '92'93
4	44211-MN5-000ZA	CVR *NH132* (TYPE1) - I '92'93
5	44215-MN5-000	STAY, L. FR.
6	45154-MT8-000	CLIP, R. FR. (LOWER)
7	45155-MT8-000	CLIP, L. FR. (LOWER)
8	45156-MT8-000	CLIP, R. FR. (LOWER)
9	45157-MT8-000	CLIP, L. FR. (LOWER)
10	96001-06016-02	BOLT, FLANGE (6X16)



Catalog Title:

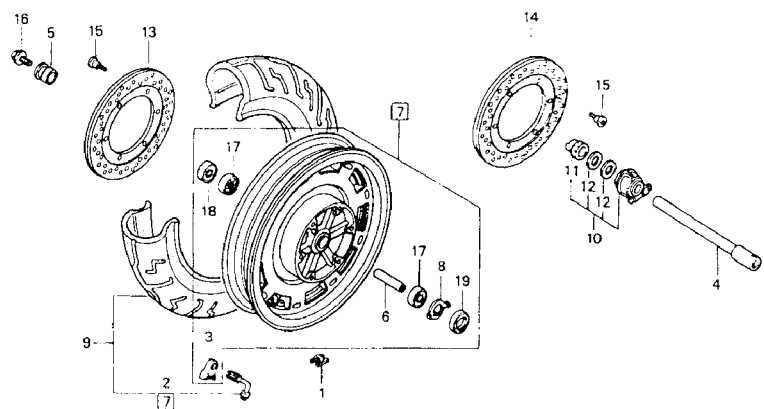
GL1500A / GL1500SE / GL1500I '92 '93

Block No.

F 13

Block Title:

FRONT WHEEL



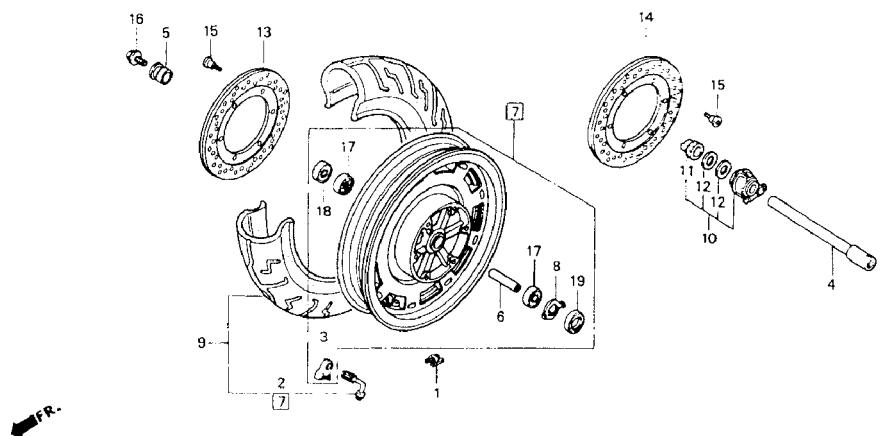
Ref. No.	Part No.	Description
1	42704-MB0-000	WEIGHT (10G)
1	42705-MB0-000	WEIGHT (20G)
1	42706-MB0-000	WEIGHT (30G)
2	42753-MN5-004	VALVE, RIM
3	42754-MN5-000	HOLD, RIM VALVE
4	44301-MR5-000	AXLE, FR. WHEEL
5	44311-ML7-000	COLR, FR. WHEEL SIDE
6	44620-MW5-000	COLLAR, FR.
7	44650-MW5-305	WHEEL SET, FR.
8	44680-MT2-000	RETAINER, GEAR BOX
9	44710-MN5-005	TIRE (130/70-18)
9	44711-MN5-005	TIRE (130/70-18 63H)
9	44711-MN5-015	TIRE (130/70-18 63H)
10	44800-MT2-003	BOX ASSY.
11	44806-MT2-003	GEAR, SPEEDOMETER
12	44809-ML7-003	WASHER
13	45251-MT8-000	DISK, R. FR. BRAKE
14	45351-MT8-000	DISK, L. FR. BRAKE
15	90105-KR3-000	BOLT, FR. (8X24)
16	90305-ML7-000	BOLT, FR. AXLE
17	91054-MAM-003	BEARING (6004UU)
17	91054-MW5-003	BEARING (6004)
18	91257-KA3-711	DUST SEAL (28X42X8)
18	91257-KA3-712	DUST SEAL (28X42X8)
18	91257-MAY-003	DUST SEAL (28X42X8)

Catalog Title:
GL1500A / GL1500SE / GL1500I '92 '93

Block No.
F 13

Block Title:
FRONT WHEEL

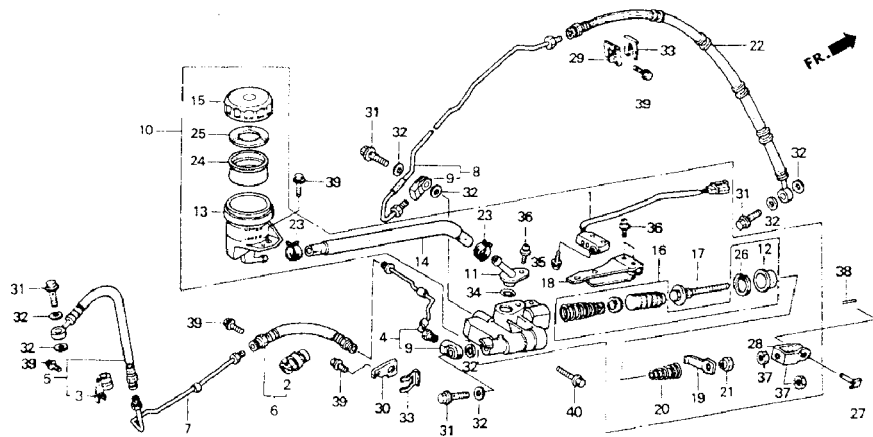
Ref. No.	Part No.	Description
19	91258-ML7-003	DUST SEAL (45X55X5)
19	91258-ML7-004	DUST SEAL (45X55X5)



Catalog Title:
GL1500A / GL1500SE / GL1500I '92 '93

Block No.
F 14

Block Title:
RR. BRAKE MASTER CYLINDER

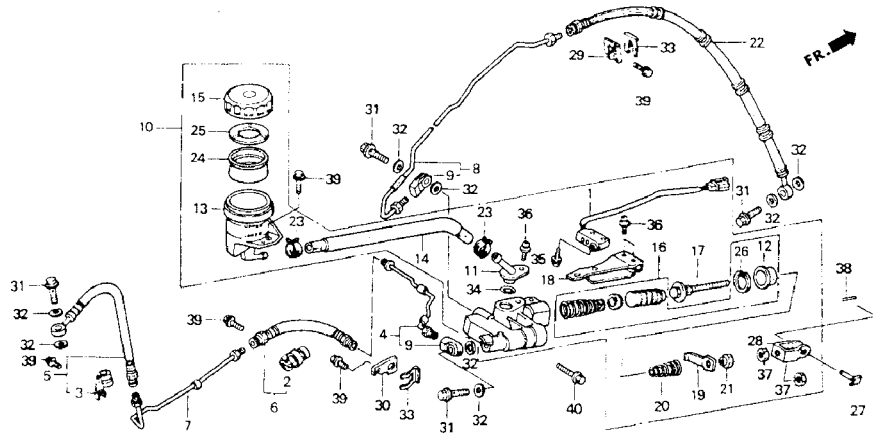


Ref. No.	Part No.	Description
1	35355-MT8-003	SWITCH ASSY., RR. - A/SE'92'93
2	43156-MN5-000	CLAMP, RR.
3	43157-MN5-000	CLAMP B, RR.
4	43300-MY4-000	PIPE ASSY., RR.
5	43310-MT8-003	HOSE, RR. BRAKE
6	43313-MT8-003	HOSE, RR. BRAKE
7	43314-MN5-000	PIPE, RR. BRAKE
8	43320-MY4-000	PIPE ASSY., RR.
9	43321-MY4-003	JOINT
10	43500-MT8-006	MASTER CYLINDER, RR. - A/SE'92'93
10	43500-MW5-871	MASTER CYLINDER, RR. - I '92'93
11	43503-MN5-006	CONNECTOR
12	43504-MB2-006	BOOT COMP.
13	43511-MN5-006	CUP
14	43512-MN5-000	HOSE, RR.
15	43513-MB4-672	CAP COMP., OIL CUP
16	43520-MG9-305	PISTON SET
17	43530-MN5-006	ROD COMP., PUSH
18	43535-MN5-006	BRACKET, SWITCH - A/SE'92'93
19	43537-MN5-006	PLATE, SWITCH - A/SE'92'93
20	43538-MN5-006	SPRING, SWITCH - A/SE'92'93
21	43539-MN5-006	NUT, SWITCH PLATE - A/SE'92'93
22	45124-MT8-003	HOSE, L. FR. BRAKE
23	45514-KV3-006	CLAMP
24	45520-371-013	DIAPHRAGM

Catalog Title:
GL1500A / GL1500SE / GL1500I '92 '93

Block No.
F 14

Block Title:
RR. BRAKE MASTER CYLINDER

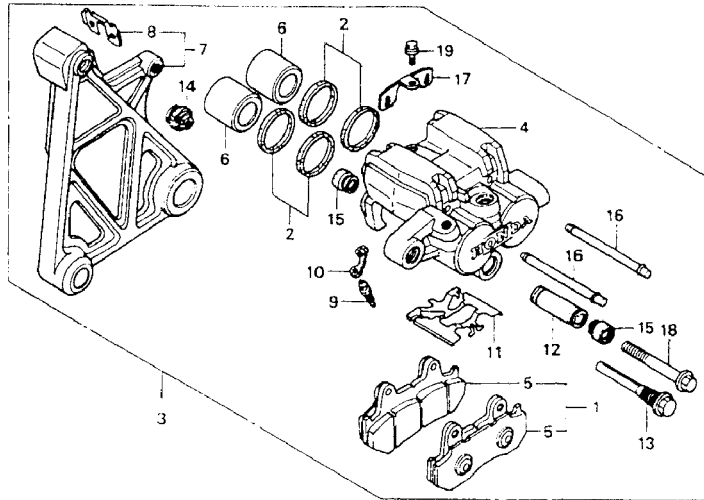


Ref. No.	Part No.	Description
25	45521-MJ6-006	PLATE, DIAPHRAGM
26	46182-500-013	CIRCLIP
27	46503-KW3-000	PIN COMP., BRAKE ROD
27	95015-54000	PIN D, JOINT
28	46504-MT8-006	JOINT, BRAKE ROD
29	50301-MN5-000	BRKT, FR. BRAKE HOSE
30	50302-MN5-000	BRKT, RR. BRAKE HOSE
31	90145-MS9-611	BOLT, OIL (10X22)
31	90145-MS9-612	BOLT, OIL (10X22)
32	90545-300-000	WASHER, OIL BOLT
33	90651-538-000	CLIP, BRAKE HOSE
34	91212-422-006	O-RING (14.8X2.4)
35	93891-04014-08	SCREW-WASHER (4X14) - A/SE'92'93
36	93893-04012-08	SCREW-WASHER (4X12)
37	94002-08000-0S	NUT, HEX. (8MM)
37	94002-08080-0S	NUT, HEX. (8MM)
38	94201-20150	PIN, SPLIT (2.0X15)
39	95701-06012-08	BOLT, FLANGE (6X12)
40	95701-06025-08	BOLT, FLANGE (6X25)

Catalog Title:
GL1500A / GL1500SE / GL1500I '92 '93

Block No.
F 15

Block Title:
REAR BRAKE CALIPER

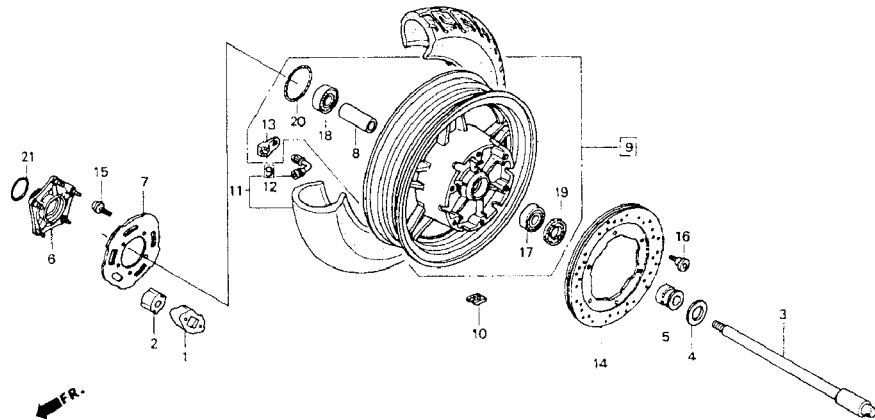


Ref. No.	Part No.	Description
1	06435-MT8-405	PAD SET, RR. - '93
2	06451-MA7-405	SEAL SET, PISTON
3	43100-MT8-008	CALIPER, RR. BRAKE
4	43101-MT8-006	CALIPER COMP., RR.
5	43105-MT8-008	PAD, RR. (TT2450GG) - '92
6	43107-MA7-006	PISTON
7	43110-MT8-006	BRACKET COMP., RR.
8	43112-445-631	RETAINER, RR.
9	43352-568-003	SCREW, BLEEDER
10	43353-461-771	CAP, BLEEDER
11	45108-MA2-006	SPRING, PAD
12	45111-MA3-006	SLEEVE
13	45131-MA3-006	PIN, BOLT
14	45133-MA3-006	BOOT B
15	45133-166-016	BOOT, PIN
16	45215-MA2-006	PIN, HANGER
17	45217-MA3-006	PLATE
18	90180-MA3-006	BOLT, FLANGE (8X49)
19	96001-06010-07	BOLT, FLANGE (6X10)
900	06435-MT8-405	PAD SET, RR.
900	431A0-MT8-670	BRAKE PAD KIT

Catalog Title:
GL1500A / GL1500SE / GL1500I '92 '93

Block No.
F 16

Block Title:
REAR WHEEL



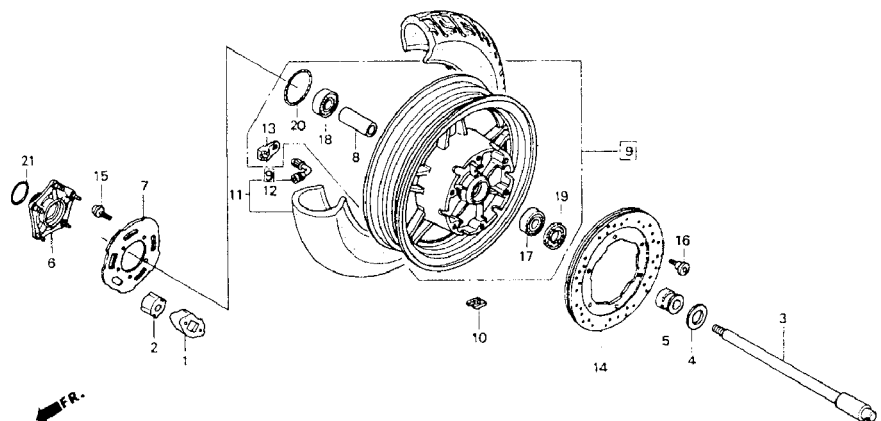
Ref. No.	Part No.	Description
1	41241-MT8-003	DAMPER, RR. WHEEL
2	41242-MR5-000	PIECE, DAMPER WHEEL
3	42301-MN5-000	AXLE, RR. WHEEL
4	42312-463-000	SPACER, RR.
5	42313-422-000	COLLAR, RR.
6	42614-MT8-000	FLANGE, FINAL DRIVEN
7	42617-MT8-000	HOLDER, DAMPER
8	42620-MW5-000	COLLAR, RR.
9	42650-MW5-305	WHEEL SET, RR.
10	42704-MB0-000	WEIGHT (10G)
10	42705-MB0-000	WEIGHT (20G)
10	42706-MB0-000	WEIGHT (30G)
11	42710-MN5-005	TIRE (160/80-16)
11	42711-MN5-005	TIRE (160/80-16 75H)
11	42711-MN5-015	TIRE (160/80-16 75H)
12	42753-MN5-004	VALVE, RIM
13	42754-MN5-000	HOLD, RIM VALVE
14	43251-MT8-000	DISK, RR. BRAKE
15	90105-KN5-000	BOLT, DISK (6X17)
16	90105-KR3-000	BOLT, FR. (8X24)
17	91052-MAE-004	BEARING (6204UU)
17	91052-MT3-004	BEARING (6204UU)
18	91053-MN5-003	BEARING (20X47X20.6)
19	91253-443-761	DUST SEAL (30X47X8)
19	91253-443-762	DUST SEAL (30X47X8)

Catalog Title:
GL1500A / GL1500SE / GL1500I '92 '93

Block No.
F 16

Block Title:
REAR WHEEL

Ref. No.	Part No.	Description
20	91302-MA6-003	O-RING (61X2)
21	91358-MG9-003	O-RING (50.5X3.5)
21	91358-MG9-004	O-RING (50.5X3.5)



Catalog Title:

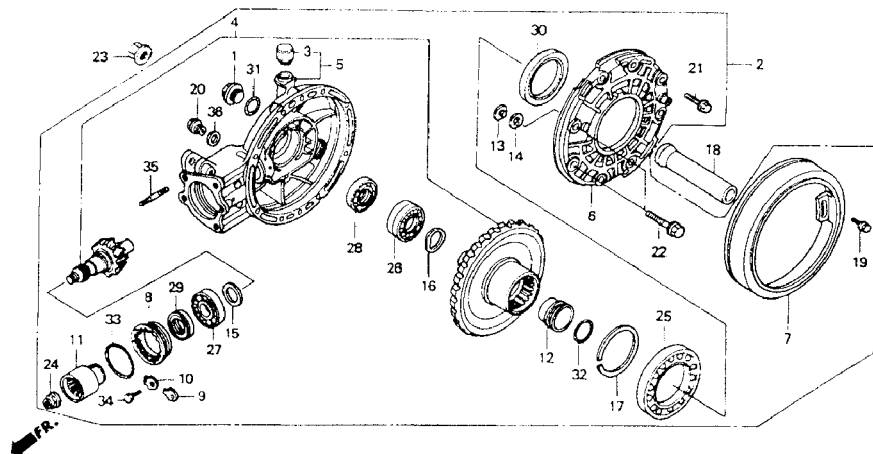
GL1500A / GL1500SE / GL1500I '92 '93

Block No.

F 17

Block Title:

FINAL DRIVEN GEAR



Ref. No.	Part No.	Description
1	12361-035-000	CAP, VALVE ADJ.
1	12361-300-000	CAP, VALVE ADJ.
1	12361-371-980	CAP, VALVE ADJ.
2	41300-MT8-000	GEAR ASSY., FINAL - '92
2	41300-MZ3-000	GEAR ASSY., FINAL - '93
3	41306-MB0-010	CAP, BREATHER
4	41310-MN5-305	GEAR SET, FINAL
5	41311-MN5-305	CASE SET, FINAL
6	41321-MN5-000	COVER, GEAR CASE
7	41324-MT8-010	PLATE, DUST GUARD
8	41331-MN5-000	RETAINER, BEARING
9	41332-415-000	LOCK A, BEARING ADJ.
10	41333-415-000	LOCK B, BEARING ADJ.
11	41410-MN5-000	JOINT, PINION
12	41433-MG9-000	HOLDER, O-RING
13	41436-MB0-310	PIN
14	41437-MB0-310	SHIM A (0.10)
14	41438-MB0-310	SHIM B (0.15)
15	41450-MG9-000	SHIM A (1.32)
15	41451-MG9-000	SHIM B (1.38)
15	41452-MG9-000	SHIM C (1.44)
15	41453-MG9-000	SHIM D (1.50)
15	41454-MG9-000	SHIM E (1.56)
15	41455-MG9-000	SHIM F (1.62)
15	41456-MG9-000	SHIM G (1.68)

Catalog Title:

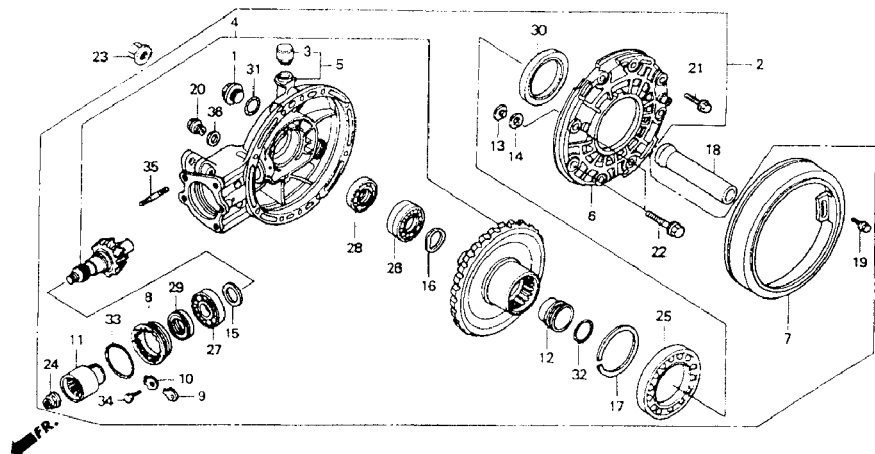
GL1500A / GL1500SE / GL1500I '92 '93

Block No.

F 17

Block Title:

FINAL DRIVEN GEAR



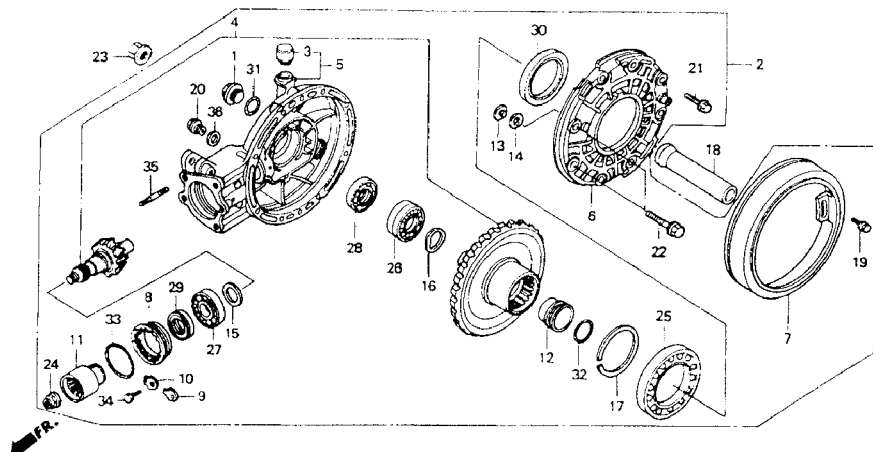
Ref. No.	Part No.	Description
16	41510-MB0-003	WASHER (35X40)
17	41530-MG9-000	SPACER A (1.82)
17	41531-MG9-000	SPACER B (1.88)
17	41532-MG9-000	SPACER C (1.94)
17	41533-MG9-000	SPACER D (2.00)
17	41534-MG9-000	SPACER E (2.06)
17	41535-MG9-000	SPACER F (2.12)
17	41536-MG9-000	SPACER G (2.18)
17	41537-MG9-000	SPACER H (2.24)
17	41538-MG9-000	SPACER I (2.30)
18	42625-MW5-000	COLLAR B, RR.
19	90013-883-000	BOLT (6X12) (CT200)
20	90081-MC7-000	BOLT, PLUG (14MM)
21	90133-MB0-000	BOLT, FLANGE (8X27)
22	90134-371-000	BOLT, FLANGE (10X38) - '92
22	90134-HA0-000	BOLT, FLANGE (10X35) - '93
23	90306-MN5-003	NUT, FLANGE (18MM)
24	90381-MB0-010	NUT, HEX. (16MM) - '92
24	90381-MT3-000	NUT, HEX. (16MM) - '93
25	91051-MN5-003	BEARING (65X100X11)
26	91052-MN5-003	BEARING (35X62X18)
27	91061-MN5-004	BEARING (30X76X19) - '92
27	91061-MT3-003	BEARING (QJ3/28V1)
28	91261-MG9-003	OIL SEAL (35X54X8) - '92
28	91261-MY3-003	OIL SEAL (35X54X8) - '93

Catalog Title:
GL1500A / GL1500SE / GL1500I '92 '93

Block No.
F 17

Block Title:
FINAL DRIVEN GEAR

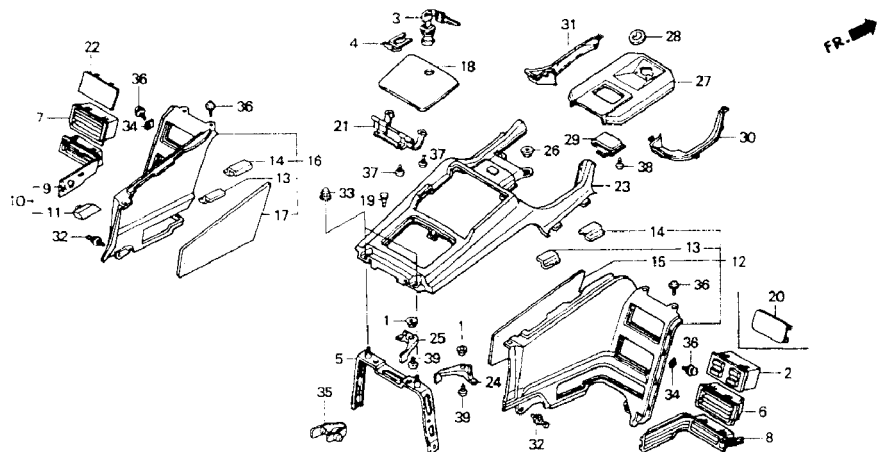
Ref. No.	Part No.	Description
29	91262-MG9-003	OIL SEAL (39X56X7) - '92
29	91262-MG9-004	OIL SEAL (39X56X7) - '92
29	91262-MY3-003	OIL SEAL (39X56X7) - '93
30	91265-MG9-003	OIL SEAL (65X85X7) - '92
30	91265-MG9-004	OIL SEAL (65X85X7) - '92
30	91265-MY3-003	OIL SEAL (65X85X7) -'93
31	91302-001-020	O-RING (30.8MM)
32	91356-MG9-003	O-RING (39.5X2.4)
32	91356-MG9-004	O-RING (39.5X2.4)
33	91359-MG9-003	O-RING (64.5X3.5)
33	91359-MG9-004	O-RING (64.5X3.5)
34	92101-06012-0A	BOLT, HEX. (6X12)
35	92900-10032-0E	BOLT, STUD (10X32)
36	94109-14000	WASHER (14MM)



Catalog Title:
GL1500A / GL1500SE / GL1500I '92 '93

Block No.
F 18

Block Title:
SHELTER

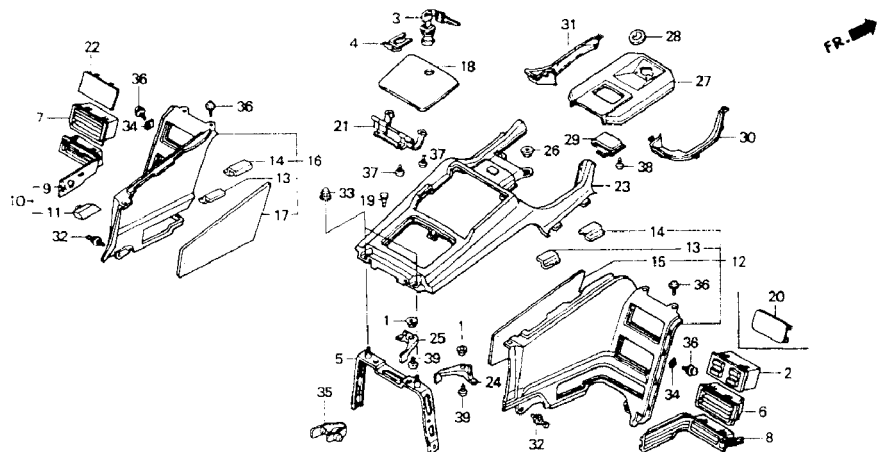


Ref. No.	Part No.	Description
1	33712-GC2-000	COLLAR A, TAILLIGHT
2	35800-MN5-010	SWITCH ASSY. - A/SE'92'93
3	37220-439-007	LOCK, FILLER LID
4	37222-463-000	SPRING
5	50250-MN5-000	BRACKET
6	64445-MN5-000	OUTLET, R. FRESH AIR
7	64455-MN5-000	OUTLET, L. FRESH AIR
8	64470-MN5-000	OUTLET, R. HOT AIR
9	64475-MN5-000	OUTLET, L. HOT AIR - A/SE'92'93
10	64475-MW5-870	OUTLET, L. HOT AIR - I '92'93
11	64478-MW5-870	CAP B, AIR PANEL - I '92'93
12	83110-MN5-000ZM	SHELTER, R. *R176C* - A '92'93
12	83110-MN5-000ZN	SHELTER, R. *PB240M* - A'92'93
12	83110-MN5-000ZJ	SHELTER, R. *NH1Z* - A'93
12	83110-MW5-870ZB	SHELTER, R. *R176C* - I '92'93
12	83110-MW5-870ZC	SHELTER, R. *PB240M* - I '92'93
12	83110-MW5-870ZD	SHELTER, R. *NH1Z* - I'93
12	83110-MN5-000ZP	SHELTER, R. *B134M* - SE'92'93
12	83110-MN5-000ZQ	SHELTER, R. *NH326P* - SE'93
12	83110-MN5-000ZR	*83210-MZ3-770ZF - SE'93
13	83112-MN5-310	RUBBER, TOP SHELTER
14	83113-MN5-300	RUBBER B
15	83115-MN5-300	MAT, R. SIDE SHELTER - A/SE'92'93
16	83120-MN5-000ZM	SHELTER, L. *R176C* - A'92'93
16	83120-MN5-000ZN	SHELTER, L. *PB240M - A'92'93

Catalog Title:
GL1500A / GL1500SE / GL1500I '92 '93

Block No.
F 18

Block Title:
SHELTER

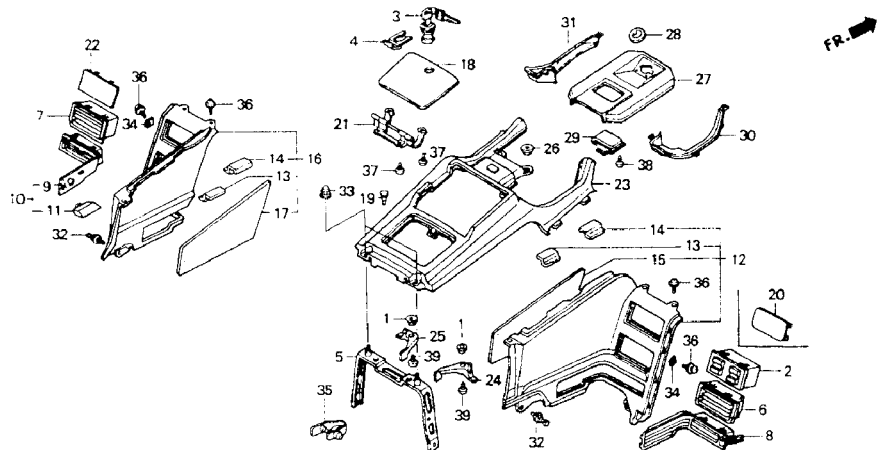


Ref. No.	Part No.	Description
16	83120-MN5-000ZJ	SHELTER, L. *NH1Z* - A'93
16	83120-MW5-870ZB	SHELTER, L. *R176C* - I '92'93
16	83120-MW5-870ZC	SHELTER, L. *PB240M* - I '92'93
16	83120-MW5-870ZD	SHELTER, L. *NH1Z* - I '93
16	83120-MN5-000ZP	SHELTER, L. *B134M* - SE '92'93
16	83120-MN5-000ZQ	SHELTER, L. *NH326P* - SE '93
16	83120-MN5-000ZR	*83220-MZ3-770ZF - SE '93
17	83125-MN5-300	MAT, L. SIDE SHELTER - A/SE'92'93
18	83131-MN5-000ZA	LID *NH159L* (TYPE1)- A'92'93, SE'93
18	83131-MN5-000ZE	LID *B75L* (TYPE5) - SE'92'93
19	83132-MN5-000	RUBBER, SHELTER LID
20	83139-MW5-870ZB	PANEL, R. *R176C* - I '92'93
20	83139-MW5-870ZC	PANEL, R. *PB240M* - I'92'93
20	83139-MW5-870ZD	PNL, R. BLIND *NH1Z* - I'93
21	83140-MN5-000	HINGE, SHELTER LID
22	83149-MN5-000ZN	PANEL, L. *R176C* - A/I '92'93
22	83149-MN5-000ZP	PANEL, L. *PB240M - A/I '92'93
22	83149-MN5-000ZJ	PNL, L. BLIND *NH1Z* - A/I '93
22	83149-MN5-000ZR	PANEL, L. *B134M* - SE'92
23	83150-MY4-000ZA	SHELTER *NH159L* - A/I '92'93, SE'93
23	83150-MY4-000ZB	SHELTER, TOP *B75L* - A/I '92'93, SE'93
24	83151-MN5-000	LOCK, R. TOP SHELTER - SE'92'93
25	83152-MN5-000	LOCK, L. TOP SHELTER
26	83156-MN5-000	GROMMET, TOP SHELTER
27	83160-MN5-000ZA	CVR *NH159L* (TYPE1) - A/I '92'93, SE'93

Catalog Title:
GL1500A / GL1500SE / GL1500I '92 '93

Block No.
F 18

Block Title:
SHELTER



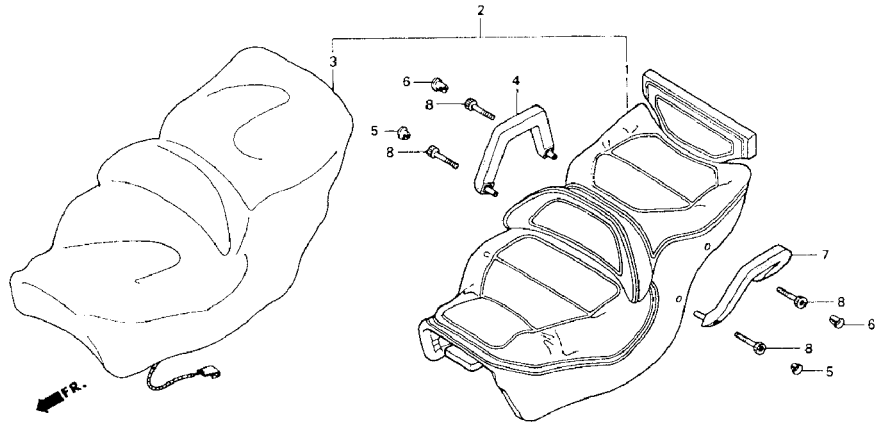
Ref. No.	Part No.	Description
27	83160-MN5-000ZE	COVER *B75L* (TYPE5) - SE'92'93
28	83161-MN5-000ZA	GROMMET *NH159L* - A/I '92'93, SE'93
28	83161-MN5-000ZE	GROMMET *B75L* - SE'92'93
29	83162-MT2-000	EMBLEM
30	83165-MN5-000	COVER, R. FR.
31	83166-MN5-000	COVER, L. FR.
32	90101-MN5-003	BOLT
33	90201-428-900	NUT, CAP (6MM)
33	90308-MT8-000	NUT, CAP (6MM)
34	90305-MN5-000	NUT, PLATE (5MM)
35	90676-HC0-000	BAND, WIRE
36	93894-05014-08	SCREW-WASHER (5X14)
37	93903-24380	SCREW, TAP (4X12)
38	93903-25280	SCREW, TAP (5X12)
39	93903-25480	SCREW, TAP (5X20)

Catalog Title:
GL1500A / GL1500SE / GL1500I '92 '93

Block No.
F 19

Block Title:
SEAT

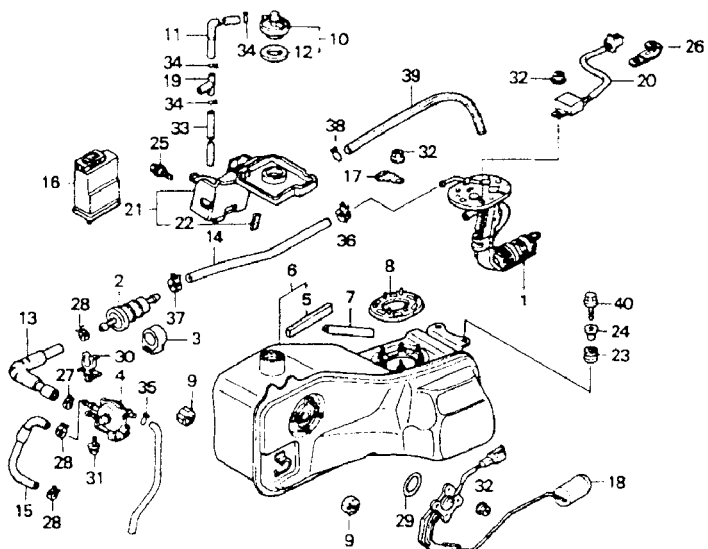
Ref. No.	Part No.	Description
1	77200-MT8-000ZC	SEAT COMP. *NH159L* - A'92'93
1	77200-MW5-870ZB	SEAT COMP. *NH159L* - I '92'93
2	77200-MT8-770ZC	SEAT *B75L* (TYPE6) - SE'92
2	77200-MY4-770ZA	SEAT *B75L* (TYPE6) - SE'92'93
2	77200-MY4-770ZC	SEAT COMP. *NH159L* - SE'93
3	77650-MT8-770	COVER COMP., SEAT - SE'92'93
4	84110-MN5-000ZA	GRIP, R. *NH159L* - A/I '92'93, SE'93
4	84110-MN5-000ZE	GRIP *B75L* (TYPE5) - SE'92'93
5	84111-MT2-000ZA	GROMMET *NH159L* - A'92'93, SE'93
5	84111-MT2-000ZE	GROMMET, FR. *B75L* - SE'92'93
6	84112-MT2-000ZA	GROMMET *NH159L* - A'92'93, SE'93
6	84112-MT2-000ZE	GROMMET, RR. *B75L* - SE'92'93
7	84120-MN5-000ZA	GRIP, L. *NH159L* - A/I '92'93, SE'93
7	84120-MN5-000ZE	GRIP *B75L* (TYPE5) - SE'92'93
8	90010-MW5-000	BOLT, SOCKET (8X50)



Catalog Title:
GL1500A / GL1500SE / GL1500I '92 '93

Block No.
F 20

Block Title:
FUEL TANK

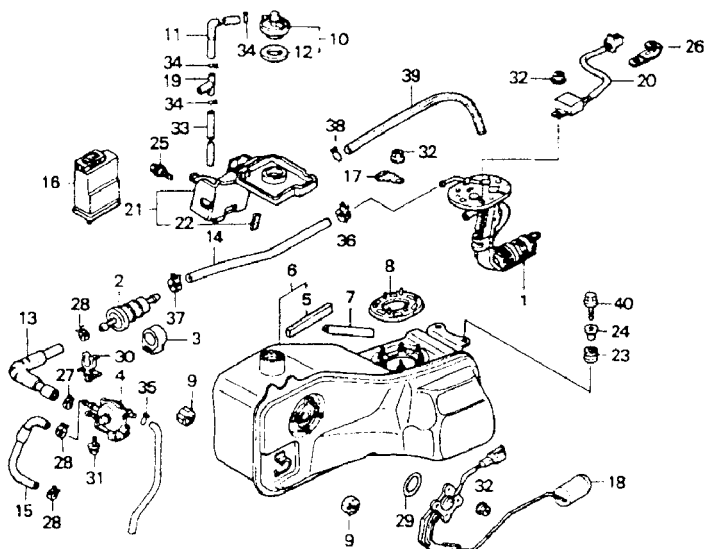


Ref. No.	Part No.	Description
1	16700-MAF-000	PUMP ASSY., FUEL - A/SE '92'93
1	16700-MT2-000	PUMP UNIT, FUEL - A/SE'92'93
1	16700-MT2-010	PUMP UNIT, FUEL- A/SE '92'93
1	16700-MAF-870	PUMP ASSY., FUEL - I'92'93
1	16700-MW5-870	PUMP UNIT, FUEL - I'92'93
1	16700-MW5-871	PUMP UNIT, FUEL - I'92'93
2	16900-MG8-003	FILTER COMP., FUEL
3	16905-MG7-000	RUBBER
4	16970-MN5-003	PETCOCK ASSY.
5	17509-MN5-000	RUBBER, BATTERY TRAY
6	17510-MT8-000	TANK COMP., FUEL - '92
6	17510-MZ3-000	TANK COMP., FUEL
7	17516-MK7-000	TRIM, FUEL TANK
8	17574-MN5-000	GASKET, BASE
9	17611-MG2-000	CUSHION, FR.
9	17611-429-000	RUBBER, FR.
10	17670-MW5-741	CAP, FUEL FILLER
11	17681-MY4-000	HOSE, FUEL (4.5X730)
12	17682-679-013	GASKET
13	17704-MN5-010	TUBE, L. FUEL
14	17707-MN5-000	TUBE A, FUEL
15	17708-MT2-000	TUBE, FUEL
16	30410-MY4-003	CONTROL UNIT, ENGINE - A/I '92
16	30410-MZ3-003	CONTROL UNIT, ENGINE - A/I '93
16	30410-MZ3-013	CONTROL UNIT, ENGINE - A/I '93

Catalog Title:
GL1500A / GL1500SE / GL1500I '92 '93

Block No.
F 20

Block Title:
FUEL TANK



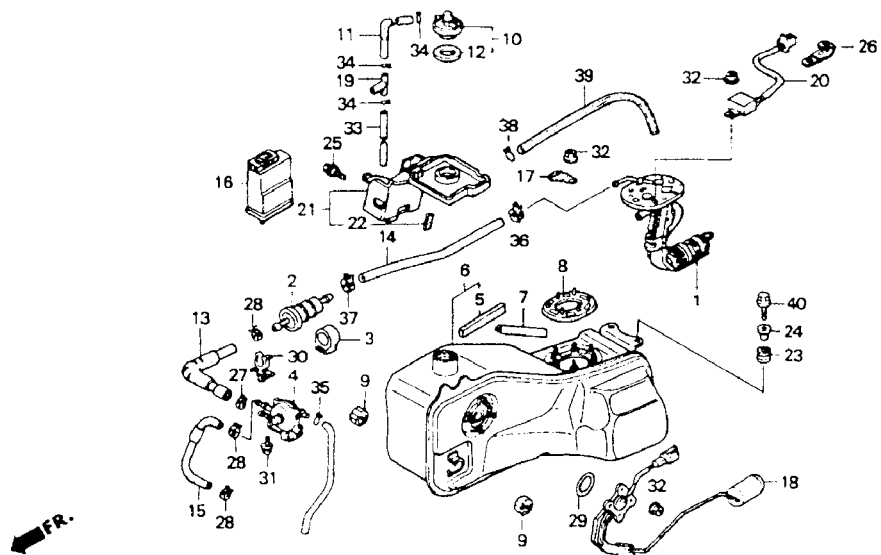
Ref. No.	Part No.	Description
16	30410-MY4-771	CONTROL UNIT, ENGINE - SE'92
16	30410-MZ3-771	CONTROL UNIT, ENGINE - SE'93
16	30410-MZ3-772	CONTROL UNIT, ENGINE - SE'93
17	32111-426-000	CLAMP, CABLE
17	32111-460-780	CLAMP
18	37800-MT8-008	FUEL UNIT
19	38773-PB9-000	JOINT (3.5)
20	39270-MZ3-771	FILTER, FUEL PUMP - SE'93
21	83502-MT8-000	TRAY, FUEL FILLER
22	84102-ML7-000	RUBBER, SPART UNIT
23	84703-MN5-000	RUBBER
24	90001-438-850	COLLAR A
25	90113-GE4-000	BOLT, FLANGE (6MM) - '92
25	90106-MY4-930	BOLT, SPECIAL (6MM) - '93
26	90601-KJ9-000	CLIP (4X50) - SE'93
27	90678-MN5-000	CLIP, FUEL HOSE
28	90682-SAO-671	CLAMP, CANISTER HOSE
29	91305-MC7-000	O-RING (39.5X5)
30	91405-750-800	CLIP A, FUEL HOSE
31	93893-05010-08	SCREW-WASHER (5X10)
32	94050-06080	NUT, FLANGE (6MM)
33	95001-45008-40M	BULK HOSE (4.5X8000)
34	95002-02080	CLIP, TUBE (B8)
35	95002-02650	CLIP, TUBE (B6.5)
36	95002-41300-08	CLIP, TUBE (D13) - A/SE'92

Catalog Title:
GL1500A / GL1500SE / GL1500I '92 '93

Block No.
F 20

Block Title:
FUEL TANK

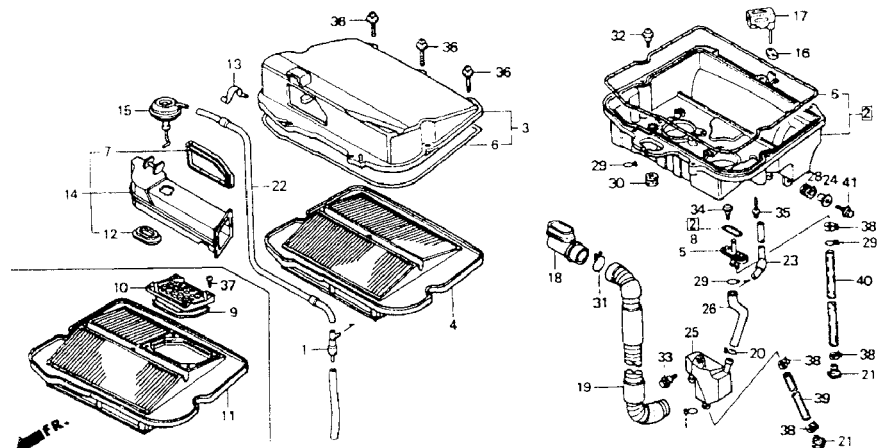
Ref. No.	Part No.	Description
36	95002-41200-08	CLIP, TUBE (D12) A/I/SE'93, I'92
37	95002-41300-08	CLIP, TUBE (D13)
38	95002-80000	CLIP, TUBE (C12)
39	95003-23008-60M	BULK HOSE, VINYL
40	95701-06025-08	BOLT, FLANGE (6X25)



Catalog Title:
GL1500A / GL1500SE / GL1500I '92 '93

Block No.
F 21

Block Title:
AIR CLEANER

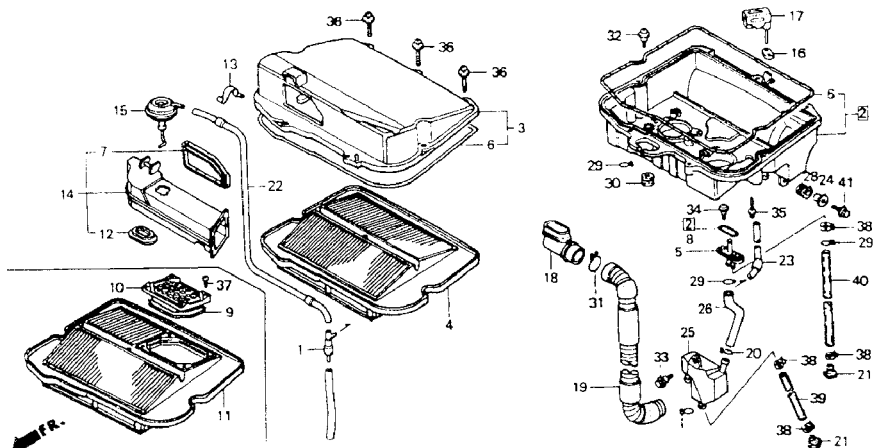


Ref. No.	Part No.	Description
1	17155-MN5-003	VALVE, CHECK
2	17200-MT8-000	HOUSING, AIR CLEANER
3	17201-MY4-000	COVER, AIR CLEANER
4	17205-MN5-003	ELEMENT, AIR CLEANER
5	17211-MT2-000	JOINT
6	17213-MN5-300	SEAL, A/CLNR HSG
7	17214-MN5-000	SEAL
7	17214-MN5-010	SEAL
8	17214-MT2-300	SEAL
9	17216-MN5-741	GASKET
10	17217-MN5-741	ELEMENT, CHARCOAL
11	17218-MN5-741	FILTER COMP.
12	17219-MN5-000	SEAL, HOT AIR
13	17223-HB3-003	SPRING
14	17225-MN5-000	INLET, AIR CLEANER
14	17225-MN5-010	INLET, AIR CLEANER
15	17245-MN5-004	DIAPHRAGM
16	17247-PA0-000	INSULATOR, SENSOR
17	17250-MN5-003	SENSOR, IN. AIR
18	17270-MN5-000	JOINT
19	17301-MN5-013	PIPE, HOT AIR
20	17369-KB4-670	CLIP, BREATHER TUBE
21	17370-419-700	PLUG, BREATHER TUBE
22	17459-MT2-000	TUBE (3.5X235) (2)
23	17460-MT2-000	TUBE (PINK 3)

Catalog Title:
GL1500A / GL1500SE / GL1500I '92 '93

Block No.
F 21

Block Title:
AIR CLEANER



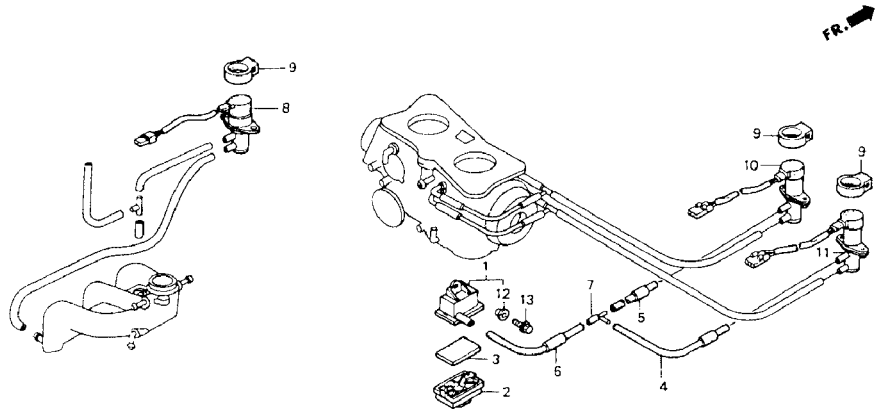
Ref. No.	Part No.	Description
24	17535-166-000	COLLAR, FR.
25	17551-MN5-000	TANK, STORAGE
26	17552-MN5-000	TUBE A, BREATHER
27	17554-MB0-000	CLIP, BREATHER TUBE
28	17611-MB1-000	RUBBER, FR.
29	17724-102-700	CLIP, SUB-TANK HOSE
30	19053-MB2-000	GROMMET, RADIATOR
31	55110-196-000	CLIP, OIL HOSE
32	90102-GB2-720	SCREW, PAN (5X16)
33	90111-162-000	BOLT, FLANGE (6MM)
34	90117-MN5-000	SCREW, PAN (5X13)
35	93500-04016-0G	SCREW, PAN (4X16)
36	93891-05016-07	SCREW-WASHER (5X16)
37	93903-35380	SCREW, TAP (5X16)
38	95002-41200-08	CLIP, TUBE (D12)
39	95003-23008-60M	BULK HOSE, VINYL
40	95003-23008-60M	BULK HOSE, VINYL
41	95701-06020-08	BOLT, FLANGE (6X20)

Catalog Title:
GL1500A / GL1500SE / GL1500I '92 '93

Block No.
F 22

Block Title:
SOLENOID VALVE

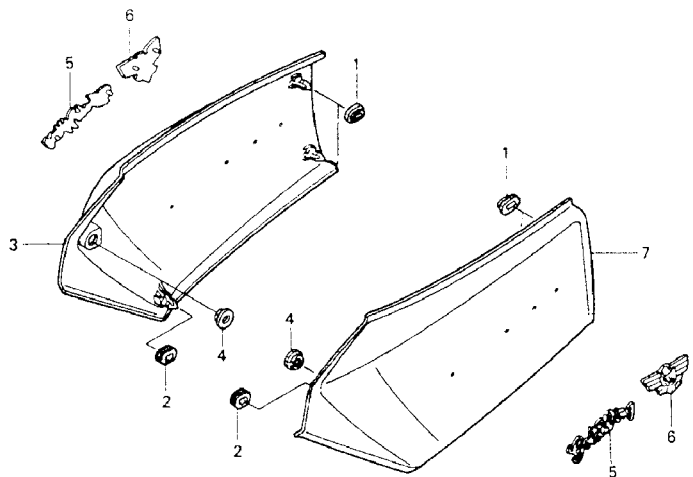
Ref. No.	Part No.	Description
1	17251-MN5-000	CASE, SUB A/CLNR
2	17252-KT8-000	COVER, SUB A/CLNR
3	17253-KT8-000	FILTER, SUB A/CLNR
4	17463-MN5-000	TUBE (5.5X90) (20)
5	17464-MN5-000	TUBE (5.5X80) (21)
6	17465-MN5-000	TUBE (8X310) (22)
7	17474-MN5-000	JOINT, THREE-WAY
8	36167-MT8-013	VALVE COMP.
9	36172-MN5-003	SUSPENSION
10	36193-MN5-003	VALVE COMP. (2)
11	36197-MN5-003	VALVE COMP. (3)
12	90522-028-000	WASHER
13	95701-06012-08	BOLT, FLANGE (6X12)



Catalog Title:
GL1500A / GL1500SE / GL1500I '92 '93

Block No.
F 23

Block Title:
SIDE COVER



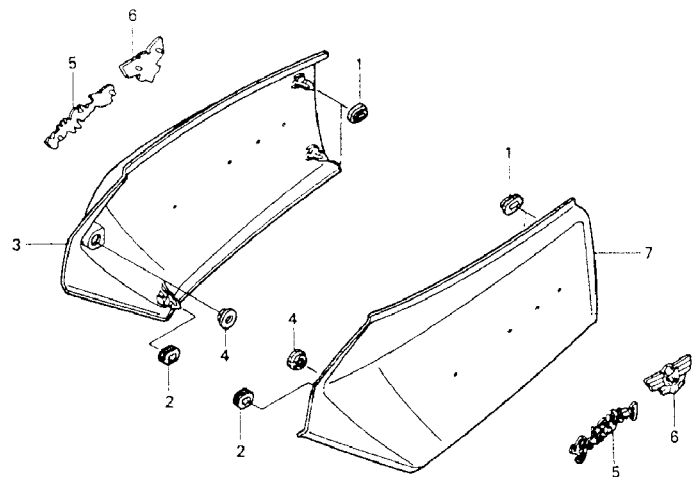
Ref. No.	Part No.	Description
1	83551-MA6-000	GROMMET, SIDE COVER
2	83551-300-000	GROMMET, A/CLNR HSG
3	83600-MN5-000ZN	CVR, R. SIDE *R176C* - A/I '92'93
3	83600-MN5-000ZP	COVER, R. *PB240M* - A/I '92'93
3	83600-MN5-000ZJ	CVR, R. SIDE *NH1Z* - A/I '93
3	83600-MN5-000ZR	CVR, R. SIDE *B134M* - SE'92
3	83600-MN5-000ZQ	COVER, R. *NH326P* - SE'93
3	83610-MZ3-770ZE	CVR *B134* (TYPE1) - SE'93
3	83610-MZ3-770ZF	CVR *PB255P* (TYPE2) - SE'93
3	83610-MZ3-770ZG	CVR *NH326P* (TYPE3) - SE'93
4	83601-MN5-000	GROMMET, SIDE COVER
5	83605-MT8-000	EMBLEM A, SIDE COVER - A/I '92'93
5	83605-MY4-770	EMBLEM A, SIDE COVER - SE'92
5	83605-MZ3-770ZE	EMBLEM A (TYPE3) - SE'93
5	83605-MZ3-770ZF	EMBLEM A (TYPE4) - SE'93
5	83605-MZ3-770ZG	EMBLEM A (TYPE5) - SE'93
5	83605-MZ3-770ZH	EMBLEM A (TYPE6) - SE'93
6	83606-MT8-000	EMBLEM B, SIDE COVER - A/I '92'93
6	83606-MT8-770	EMBLEM B, SIDE COVER - SE'92'93
7	83700-MN5-000ZN	CVR, L. SIDE *R176C* - A/I '92'93
7	83700-MN5-000ZP	COVER, L. *PB240M* - A/I '92'93
7	83700-MN5-000ZJ	CVR, L. SIDE *NH1Z* - A/I '93
7	83700-MN5-000ZR	CVR, L. SIDE *B134M* - SE'92
7	83700-MN5-000ZQ	COVER, L. *NH326P* - SE'93
7	83710-MZ3-770ZE	CVR *B134M* (TYPE1) - SE'93

Catalog Title:
GL1500A / GL1500SE / GL1500I '92 '93

Block No.
F 23

Block Title:
SIDE COVER

Ref. No.	Part No.	Description
7	83710-MZ3-770ZF	CVR *PB255P* (TYPE2) - SE '93
7	83710-MZ3-770ZG	CVR *NH326P* (TYPE3) - SE '93



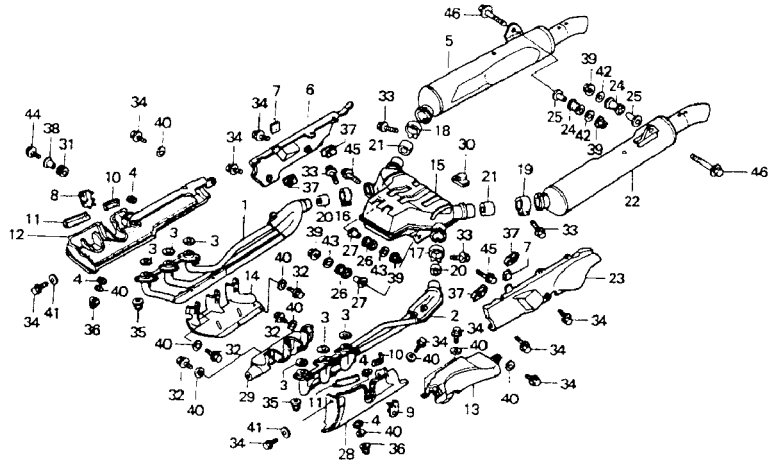
FR.

Catalog Title:
GL1500A / GL1500SE / GL1500I '92 '93

Block No.
F 24

Block Title:
EXHAUST MUFFLER (A/I)

Ref. No.	Part No.	Description
1	18150-MT8-000	PIPE COMP., R. EX.
2	18250-MT8-000	PIPE COMP., L. EX.
3	18291-MN5-650	GASKET, EX. PIPE
4	18293-MN5-650	RUBBER, PROTECTOR
5	18310-MW5-000	MUFFLER COMP., R.
6	18315-MW5-870ZC	PROTECTOR *NH132M*
7	18316-MN5-000	GROMMET
8	18321-MN5-000	RUBBER, R.
9	18322-MN5-000	RUBBER, L.
10	18323-MN5-000	RUBBER A, SEAL
11	18324-MN5-000	RUBBER B, SEAL
12	18325-MW5-000ZD	PROTECTOR *NH132M*
13	18326-MN5-000ZL	PROTECTOR *NH132M*
14	18327-MT8-000	CHAMBER, R. HOT AIR
15	18340-MN5-003	*18340-MAM-A80
16	18373-MB6-003	BAND, R. EX. PIPE
17	18374-MB6-003	BAND, L. EX. PIPE
18	18376-MB4-003	BAND, R. MUFFLER
19	18377-MB4-003	BAND, L. MUFFLER
20	18391-MAM-000	GASKET A, MUFFLER
20	18391-MY4-003	GASKET A, MUFFLER
21	18392-MAM-000	GASKET B, MUFFLER
21	18392-MY4-003	GASKET B, MUFFLER
22	18410-MW5-000	MUFFLER COMP., L.
23	18415-MW5-870ZC	PROTECTOR *NH132M*



Catalog Title:

GL1500A / GL1500SE / GL1500I '92 '93

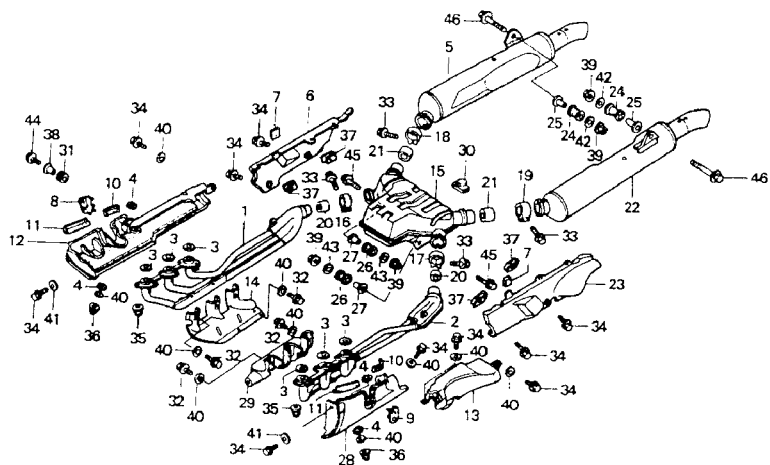
Block No.

F 24

Block Title:

EXHAUST MUFFLER (A/I)

Ref. No.	Part No.	Description
24	18421-MN5-000	RUBBER
25	18422-MN5-000	COLLAR
26	18423-MN5-000	RUBBER
27	18424-MN5-000	COLLAR
28	18425-MW5-000ZD	PROTECTOR *NH132M*
29	18427-MT8-000	CHAMBER, L. HOT AIR
30	50524-MG9-000	RUBBER
31	61329-MJ6-000	RUBBER
32	90126-MN5-000	BOLT, FLANGE (6X8)
33	90129-MN5-000	BOLT, FLANGE (8X37)
34	90130-MN5-000	BOLT, FLANGE (6X10)
35	90304-HB3-771	NUT, SPECIAL (6MM)
36	90308-MT8-000	NUT, CAP (6MM)
37	90344-692-003	NUT, CLIP (6MM)
38	90501-MJ6-000	COLLAR
39	94050-08080	NUT, FLANGE (8MM)
40	94101-06400	WASHER, PLAIN (6MM)
41	94103-06400	WASHER, PLAIN (6MM)
42	94103-08200	WASHER, PLAIN (8MM)
43	94103-08800	WASHER, PLAIN (8MM)
44	95701-06018-08	BOLT, FLANGE (6X18)
44	95801-06018-08	BOLT, FLANGE (6X18)
45	95701-08045-08	BOLT, FLANGE (8X45)
46	95701-08055-02	BOLT, FLANGE (8X55)

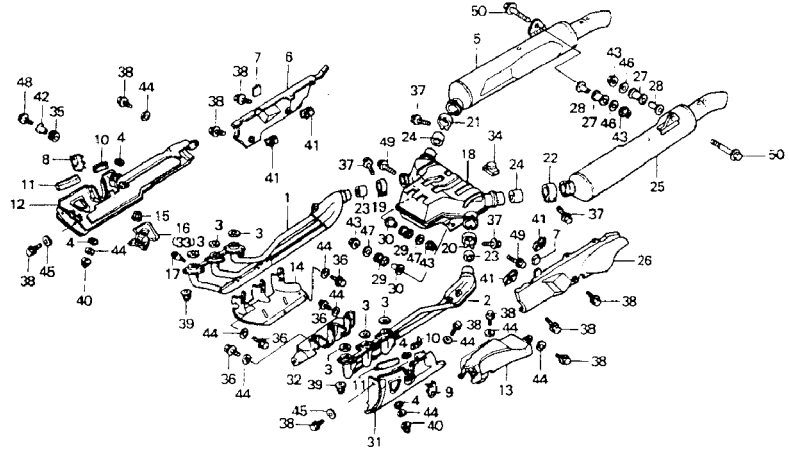


Catalog Title:
GL1500A / GL1500SE / GL1500I '92 '93

Block No.
F 2401

Block Title:
EXHAUST MUFFLER (SE)

Ref. No.	Part No.	Description
1	18150-MT8-000	PIPE COMP., R. EX.
2	18250-MT8-000	PIPE COMP., L. EX.
3	18291-MN5-650	GASKET, EX. PIPE
4	18293-MN5-650	RUBBER, PROTECTOR
5	18310-MW5-000	MUFFLER COMP., R.
6	18315-MW5-870ZC	PROTECTOR *NH132M* - SE'92
6	18315-MW5-870ZG	PROTECTOR *B134M* - SE'93
6	18315-MW5-870ZH	PROTECTOR *PB255P* - SE'93
6	18315-MW5-870ZJ	PROTECTOR *NH327M* - SE'93
7	18316-MN5-000	GROMMET
8	18321-MN5-000	RUBBER, R.
9	18322-MN5-000	RUBBER, L.
10	18323-MN5-000	RUBBER A, SEAL
11	18324-MN5-000	RUBBER B, SEAL
12	18325-MW5-770ZB	PROTECTOR *NH132M* - SE'92
12	18325-MW5-770ZF	PROTECTOR *B134M* - SE'93
12	18325-MW5-770ZG	PROTECTOR *PB255P* - SE'93
12	18325-MW5-770ZH	PROTECTOR *NH327M* - SE'93
13	18326-MN5-000ZL	PROTECTOR *NH132M* - SE'92
13	18326-MN5-000ZQ	PROTECTOR *B134M* - SE'93
13	18326-MN5-000ZR	PROTECTOR *PB255P* - SE'93
13	18326-MN5-000ZS	PROTECTOR *NH327M* - SE'93
14	18327-MT8-000	CHAMBER, R. HOT AIR
15	18334-MT8-770	NUT, FLANGE (5MM)
16	18335-MW5-770ZB	LID COMP. *NH132M* - SE'92



Catalog Title:

GL1500A / GL1500SE / GL1500I '92 '93

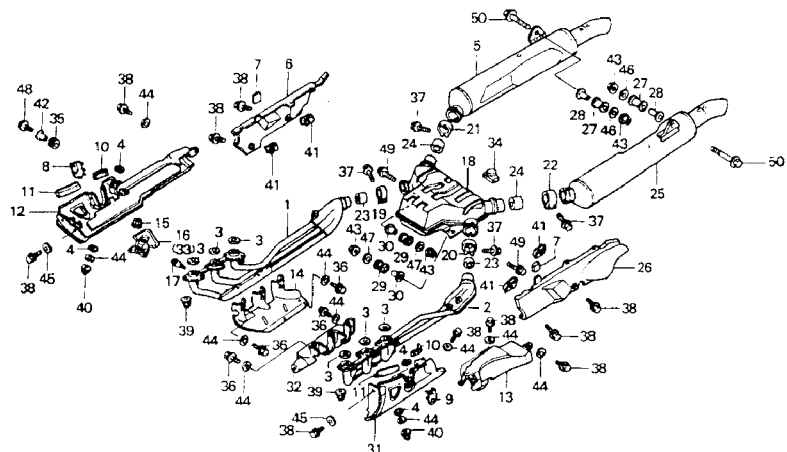
Block No.

F 2401

Block Title:

EXHAUST MUFFLER (SE)

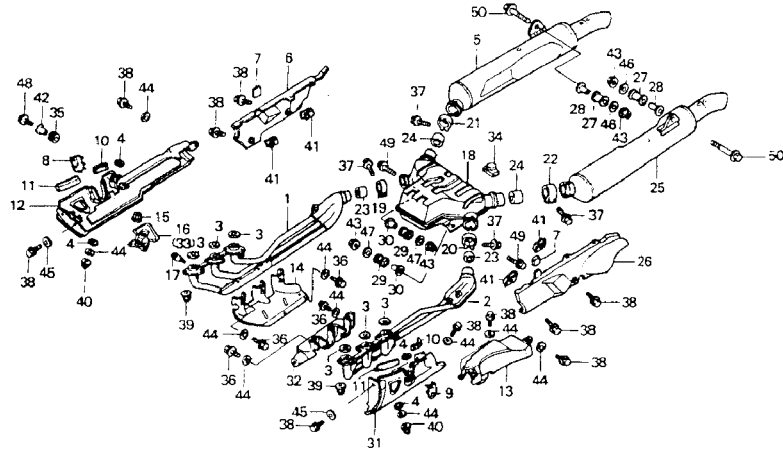
Ref. No.	Part No.	Description
16	18335-MW5-770ZG	LID *B134M* (TYPE13) - SE'93
16	18335-MW5-770ZH	LID COMP. *PB255P* - SE'93
16	18335-MW5-770ZJ	LID COMP. *NH327M* - SE'93
17	18338-MT8-770	RUBBER (5MM)
18	18340-MN5-003	*18340-MAM-A80
19	18373-MB6-003	BAND, R. EX. PIPE
20	18374-MB6-003	BAND, L. EX. PIPE
21	18376-MB4-003	BAND, R. MUFFLER
22	18377-MB4-003	BAND, L. MUFFLER
23	18391-MAM-000	GASKET A, MUFFLER
23	18391-MY4-003	GASKET A, MUFFLER
24	18392-MAM-000	GASKET B, MUFFLER
24	18392-MY4-003	GASKET B, MUFFLER
25	18410-MW5-000	MUFFLER COMP., L.
26	18415-MW5-870ZC	PROTECTOR *NH132M* - SE'92
26	18415-MW5-870ZG	PROTECTOR *P134M* - SE'93
26	18415-MW5-870ZH	PROTECTOR *PB255P* - SE'93
26	18415-MW5-870ZJ	PROTECTOR *NH327M* - SE'93
27	18421-MN5-000	RUBBER
28	18422-MN5-000	COLLAR
29	18423-MN5-000	RUBBER
30	18424-MN5-000	COLLAR
31	18425-MW5-770ZB	PROTECTOR *NH132M* - SE'92
31	18425-MW5-770ZF	PROTECTOR *B134M* - SE'93
31	18425-MW5-770ZG	PROTECTOR *PB255P* - SE'93



Catalog Title:
GL1500A / GL1500SE / GL1500I '92 '93

Block No.
F 2401

Block Title:
EXHAUST MUFFLER (SE)



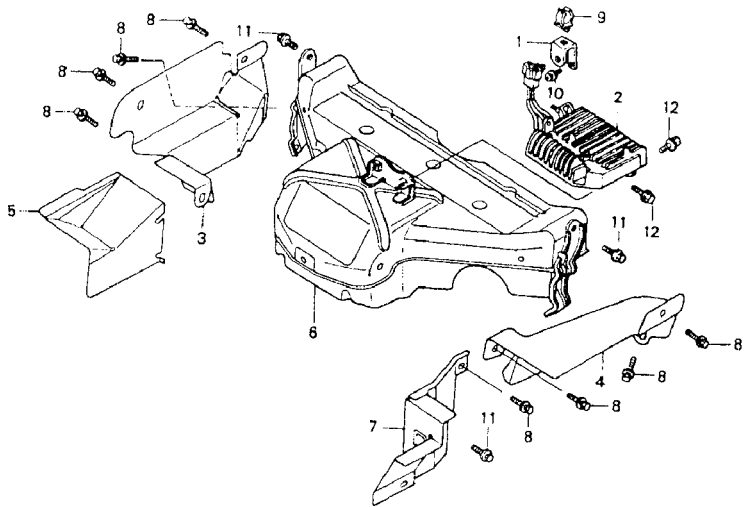
Ref. No.	Part No.	Description
31	18425-MW5-770ZH	PROTECTOR *NH327M* - SE'93
32	18427-MT8-000	CHAMBER, L. HOT AIR
33	18435-MW5-770ZB	LID COMP. *NH132M* - SE'92
33	18435-MW5-770ZG	LID *B134M* (TYPE13) - SE'93
33	18435-MW5-770ZH	LID COMP. *PB255P* - SE'93
33	18435-MW5-770ZJ	LID COMP. *NH327M* - SE'93
34	50524-MG9-000	RUBBER
35	61329-MJ6-000	RUBBER
36	90126-MN5-000	BOLT, FLANGE (6X8)
37	90129-MN5-000	BOLT, FLANGE (8X37)
38	90130-MN5-000	BOLT, FLANGE (6X10)
39	90304-HB3-771	NUT, SPECIAL (6MM)
40	90308-MT8-000	NUT, CAP (6MM)
41	90344-692-003	NUT, CLIP (6MM)
42	90501-MJ6-000	COLLAR
43	94050-08080	NUT, FLANGE (8MM)
44	94101-06400	WASHER, PLAIN (6MM)
45	94103-06400	WASHER, PLAIN (6MM)
46	94103-08200	WASHER, PLAIN (8MM)
47	94103-08800	WASHER, PLAIN (8MM)
48	95701-06018-08	BOLT, FLANGE (6X18)
48	95801-06018-08	BOLT, FLANGE (6X18)
49	95701-08045-08	BOLT, FLANGE (8X45)
50	95701-08055-08	BOLT, FLANGE (8X55) - SE'92
50	95701-08055-02	BOLT, FLANGE (8X55) - SE'93

Catalog Title:
GL1500A / GL1500SE / GL1500I '92 '93

Block No.
F 25

Block Title:
CHAMBER PROTECTOR

Ref. No.	Part No.	Description
1	31203-MT8-000	HOLDER - A/SE '92'93
2	36280-MT8-003	RESISTOR, REVERSE - A/SE '92'93
3	50270-MN5-000	PROTECTOR, R. HEAT
4	50271-MN5-000	PROTECTOR, L. HEAT
5	50272-MN5-000	GUARD, R. FR. HEAT
6	50273-MT2-000	PROTECTOR, CHAMBER - A/SE '92'93
6	50273-MW5-870	PROTECTOR, CHAMBER - I'92'93
7	50274-MN5-000	GUARD, L. FR. HEAT - '92
7	50274-MZ3-000	GUARD, L. FR. HEAT - '93
8	90196-MN5-000	BOLT, FLANGE (5X10)
9	90659-MT8-003	CLIP, CABLE - A/SE '92'93
10	93892-05010-08	SCREW-WASHER (5X10) - A/SE '92'93
11	95701-06010-08	BOLT, FLANGE (6X10)
12	95701-06014-08	BOLT, FLANGE (6X14) - A/SE '92'93

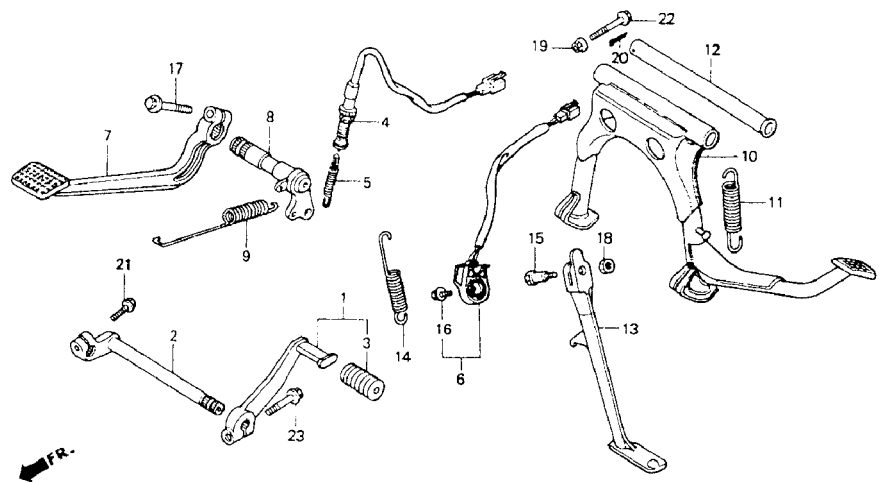


FR.

Catalog Title:
GL1500A / GL1500SE / GL1500I '92 '93

Block No.
F 26

Block Title:
PEDAL



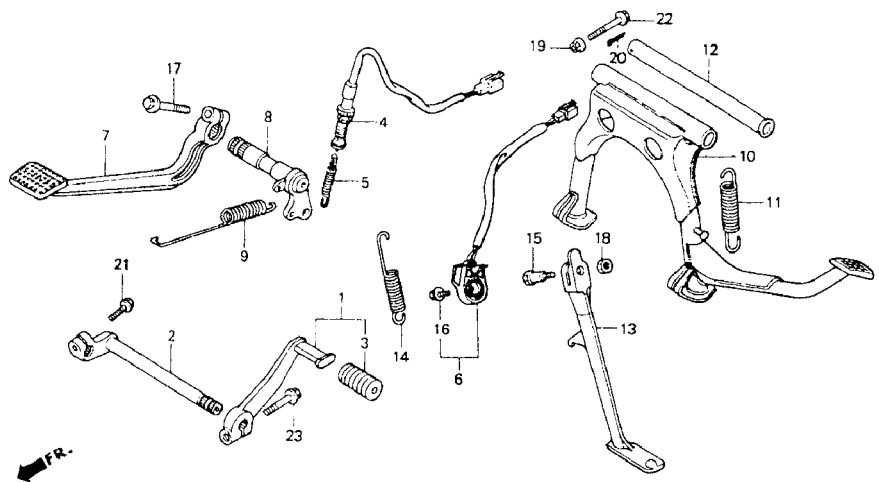
Ref. No.	Part No.	Description
1	24710-MT2-000	PEDAL, GEARSHIFT
2	24711-MN5-000	ARM COMP., GEARSHIFT
3	24781-419-000	RUBBER
4	35350-MT8-003	SWITCH, RR. STOP - A/SE '92'93
4	35350-MW5-871	SWITCH, RR. STOP - I'92'93
5	35357-MN5-000	SPRING, STOP SWITCH
6	35700-MY4-305	SWITCH, SIDE STAND
7	46500-MN5-000	PEDAL, RR. BRAKE - A/SE '92'93
7	46500-MW5-870	PEDAL, RR. BRAKE - I'92'93
8	46505-MN5-000	SPINDLE, RR. BRAKE
9	46514-MN5-000	SPRING, BRAKE PEDAL
10	50500-MW5-000	STAND COMP., MAIN
11	50510-MT2-000	SPRING, MAIN STAND
12	50526-MW5-000	PIPE
13	50532-MY4-000	BAR, SIDE STAND
13	50532-MY4-700	BAR, SIDE STAND
14	50541-MB0-000	SPRING, SIDE STAND
15	90108-MR5-000	BOLT
16	90147-MK6-671	BOLT, SPECIAL (6X16)
17	90183-438-000	BOLT (8X26)
18	90203-MF9-710	NUT, SIDE STAND
19	94050-08080	NUT, FLANGE (8MM)
20	94201-25250	PIN, SPLIT (2.5X25)
20	94201-25300	PIN, SPLIT (2.5X30)
21	95701-06020-08	BOLT, FLANGE (6X20)

Catalog Title:
GL1500A / GL1500SE / GL1500I '92 '93

Block No.
F 26

Block Title:
PEDAL

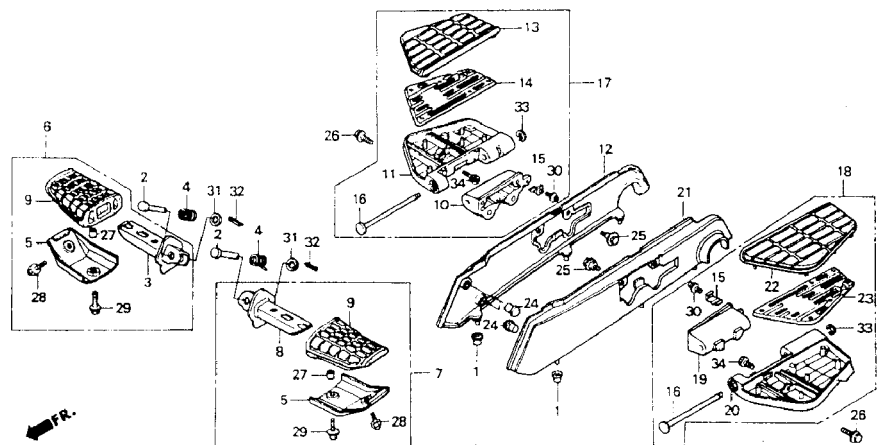
Ref. No.	Part No.	Description
22	95701-08045-08	BOLT, FLANGE (8X45)
23	96001-06028-02	BOLT, FLANGE (6X28)



Catalog Title:
GL1500A / GL1500SE / GL1500I '92 '93

Block No.
F 27

Block Title:
STEP (A)



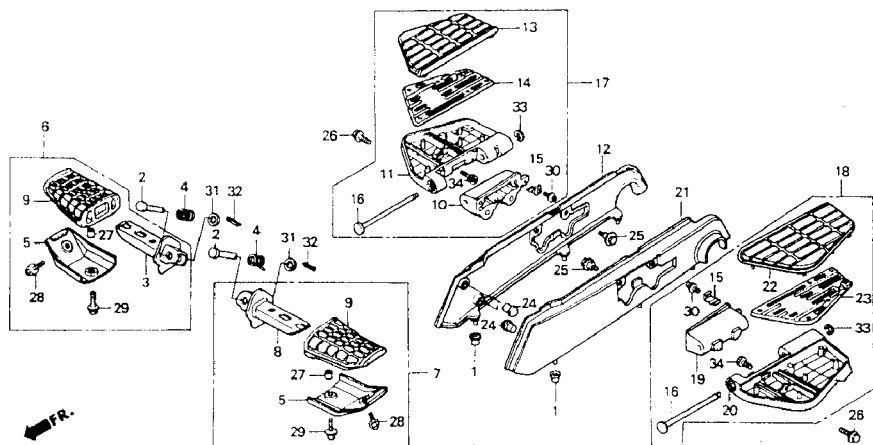
Ref. No.	Part No.	Description
1	19113-MB1-870	RUBBER
2	50603-MN5-000	PIN, STEP PIVOT
3	50612-MT2-000	BAR COMP., R. STEP
4	50617-MB1-700	SPRING, STEP RETURN
5	50619-MN5-000	COVER, STEP LOW
6	50630-MT2-000	STEP ASSY., R. MAIN
7	50640-MT2-000	STEP ASSY., L. MAIN
8	50642-MT2-000	BAR COMP., L. STEP
9	50661-MN5-000	RUBBER, MAIN STEP
10	50715-MN5-010	HOLDER, R.
11	50716-MT8-000	PLATE, R.
12	50717-MW5-000	COVER, R.
13	50718-MN5-000	RUBBER, R.
14	50719-MN5-000	PLATE, R. FOOT
15	50720-MN5-000	SPRING, PILLION STEP
16	50721-MT8-000	PIN, PILLION STEP
17	50730-MT8-000	HOLDER, R. STEP
18	50740-MT8-000	HOLDER, L. STEP
19	50815-MN5-010	HOLDER, L.
20	50816-MT8-000	PLATE, L.
21	50817-MW5-000	COVER, L.
22	50818-MN5-000	RUBBER, L.
23	50819-MN5-000	PLATE, L. FOOT
24	84103-443-611	CAP, RR. BUMPER
25	90113-GF0-000	BOLT, FLANGE (6MM)

Catalog Title:
GL1500A / GL1500SE / GL1500I '92 '93

Block No.
F 27

Block Title:
STEP (A)

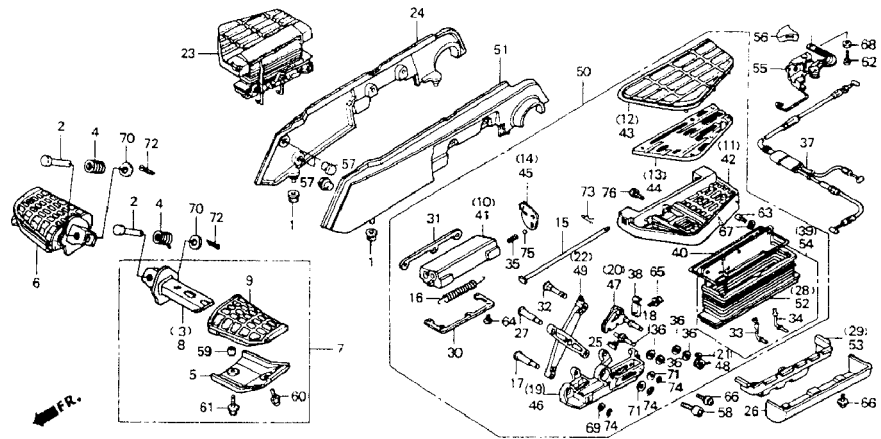
Ref. No.	Part No.	Description
26	90119-383-000	BOLT, FLANGE (8X25)
27	90325-197-000	COLLAR, RR. MUDGUARD
28	92501-06008-0B	BOLT, CAP (6X8)
29	93403-06020-00	BOLT-WASHER (8X25)
30	93893-05012-08	SCREW-WASHER (5X12)
31	94102-08000	WASHER, PLAIN (8MM)
32	94201-16150	PIN, SPLIT (1.6X15)
32	94201-16250	PIN, COTTER (1.6X25)
33	94540-07010	E-RING (7MM)
34	96600-06016-08	BOLT, SOCKET (6X16)



Catalog Title:
GL1500A / GL1500SE / GL1500I '92 '93

Block No.
F 2701

Block Title:
STEP (SE)

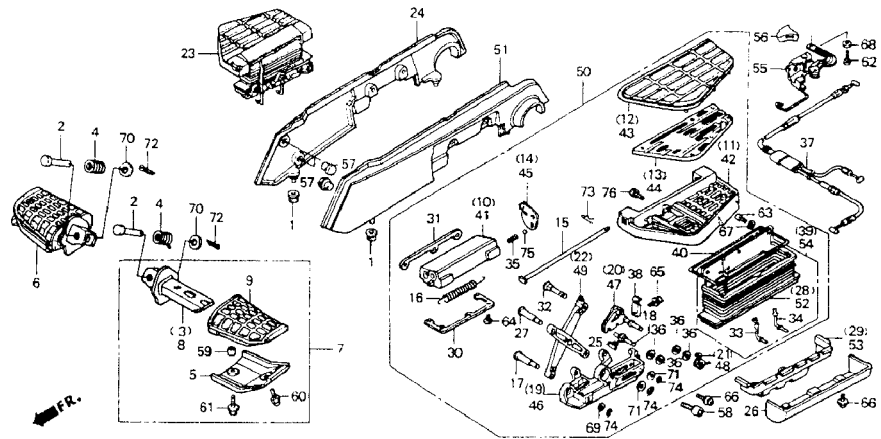


Ref. No.	Part No.	Description
1	19113-MB1-870	RUBBER
2	50603-MN5-000	PIN, STEP PIVOT
3	50612-MT2-000	BAR COMP., R. STEP
4	50617-MB1-700	SPRING, STEP RETURN
5	50619-MN5-000	COVER, STEP LOW
6	50630-MT2-000	STEP ASSY., R. MAIN
7	50640-MT2-000	STEP ASSY., L. MAIN
8	50642-MT2-000	BAR COMP., L. STEP
9	50661-MN5-000	RUBBER, MAIN STEP
10	50715-MT8-771	HOLDER, R.
11	50716-MT8-771	PLATE, R.
12	50718-MN5-000	RUBBER, R.
13	50719-MN5-000	PLATE, R. FOOT
14	50720-MT8-770	PLATE
15	50721-MT8-770	PIN, PILLION STEP
16	50722-MT8-770	SPRING, ADJUSTER
17	50723-MT8-770	PIN (6MM)
18	50724-MT8-770	PIN (6MM)
19	50725-MT8-771	BRACKET, R.
20	50726-MT8-770	ARM, R. STOPPER
21	50727-MT8-770	SPRING, R.
22	50729-MT8-770	LINK COMP., R.
23	50730-MT8-770	STEP ASSY., R.
24	50731-MW5-770	COVER, R.
25	50732-MT8-770	RUBBER, STOPPER

Catalog Title:
GL1500A / GL1500SE / GL1500I '92 '93

Block No.
F 2701

Block Title:
STEP (SE)

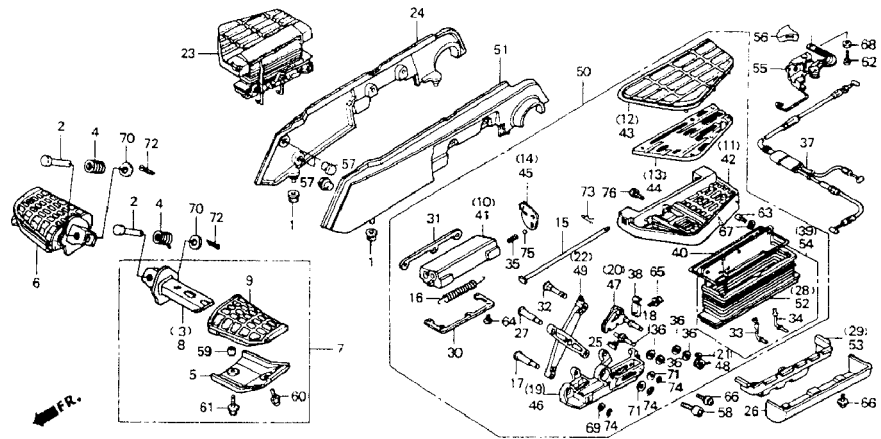


Ref. No.	Part No.	Description
26	50733-MT8-770	COVER
27	50734-MT8-770	PIN
28	50735-MT8-771	COVER, R.
29	50736-MT8-770	HOOK, R.
30	50737-MT8-770	PLATE, LINK COVER
31	50739-MT8-770	PLATE B, R.
32	50741-MT8-770	PIN
33	50742-MT8-770	HOOK A, LINK COVER
34	50743-MT8-770	HOOK B, LINK COVER
35	50746-MT8-770	SPRING
36	50747-MT8-770	WASHER, THRUST (8MM)
37	50750-MT8-770	CABLE COMP.
38	50751-MT8-770	STAY, CABLE
39	50755-MT8-770	CVR, R. PILLION STEP
40	50756-MT8-770	RING, LINK COVER
41	50815-MT8-771	HOLDER, L.
42	50816-MT8-771	PLATE, L.
43	50818-MN5-000	RUBBER, L.
44	50819-MN5-000	PLATE, L. FOOT
45	50820-MT8-770	PLATE, L.
46	50825-MT8-771	BRACKET, L.
47	50826-MT8-770	ARM, L. STOPPER
48	50827-MT8-770	SPRING, L.
49	50829-MT8-770	LINK COMP., L.
50	50830-MT8-770	STEP ASSY., L.

Catalog Title:
GL1500A / GL1500SE / GL1500I '92 '93

Block No.
F 2701

Block Title:
STEP (SE)



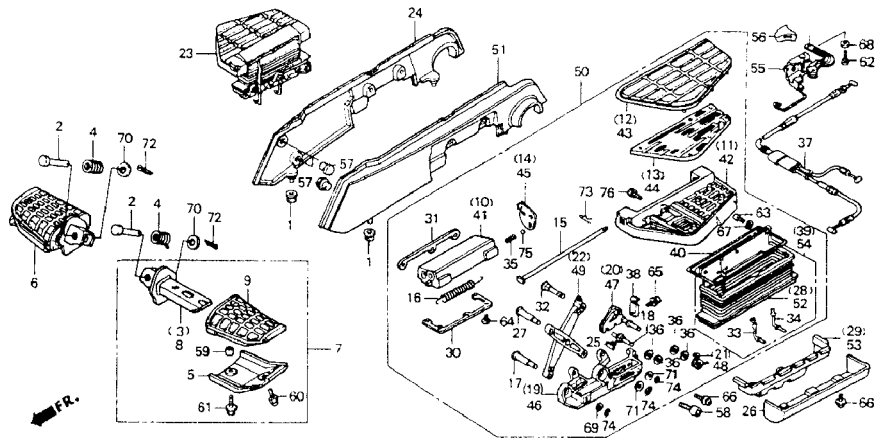
Ref. No.	Part No.	Description
51	50831-MW5-770	COVER, L.
52	50835-MT8-771	COVER, L.
53	50836-MT8-770	HOOK, L.
54	50855-MT8-770	CVR, L. PILLION STEP
55	74882-MT8-771	LEVER COMP.
56	74885-MT8-770	KNOB
57	84103-443-611	CAP, RR. BUMPER
58	90109-MB0-000	BOLT, SOCKET
58	90157-MB1-000	BOLT, SOCKET (8X18)
59	90325-197-000	COLLAR, RR. MUDGUARD
60	92501-06008-0B	BOLT, CAP (6X8)
61	93403-06020-00	BOLT-WASHER (8X25)
62	93500-03006-0A	SCREW, PAN (3X6)
63	93500-03006-0A	SCREW, PAN (3X6)
64	93500-03008-0A	SCREW, PAN (3X8)
65	93891-05010-07	SCREW-WASHER (5X10)
66	93891-05010-08	SCREW-WASHER (5X10)
67	94101-03000	WASHER, PLAIN (3MM)
68	94101-03700	WASHER, PLAIN (3MM)
69	94101-06800	WASHER, PLAIN (6MM)
70	94102-08000	WASHER, PLAIN (8MM)
71	94102-08800	WASHER, PLAIN (8MM)
72	94201-16150	PIN, SPLIT (1.6X15)
72	94201-16250	PIN, COTTER (1.6X25)
73	94251-08000	PIN, LOCK (8MM)

Catalog Title:
GL1500A / GL1500SE / GL1500I '92 '93

Block No.
F 2701

Block Title:
STEP (SE)

Ref. No.	Part No.	Description
74	94540-05018	E-RING (5MM)
75	96211-08000	BALL (#8) (1/4)
76	96600-06016-08	BOLT, SOCKET (6X16)

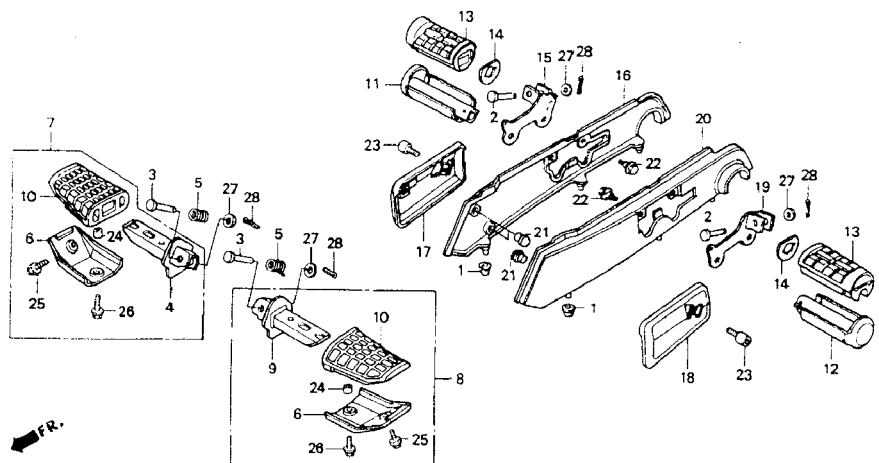


Catalog Title:
GL1500A / GL1500SE / GL1500I '92 '93

Block No.
F 2702

Block Title:
STEP (I)

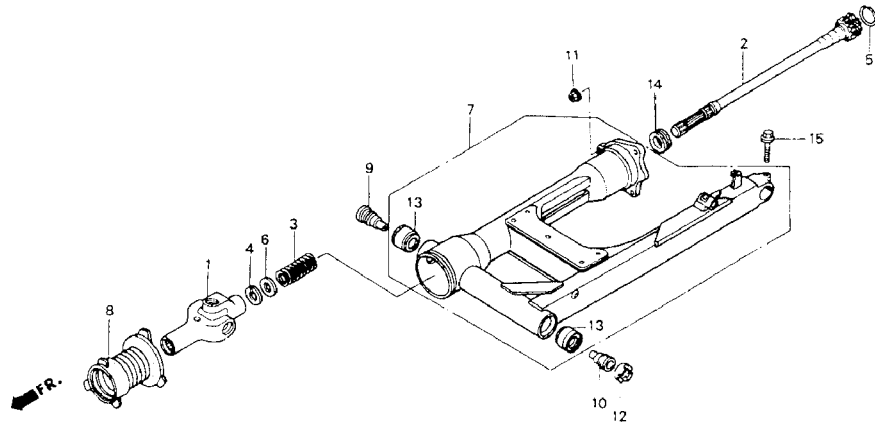
Ref. No.	Part No.	Description
26	93403-06020-00	BOLT-WASHER (8X25)
27	94102-08000	WASHER, PLAIN (8MM)
28	94201-16150	PIN, SPLIT (1.6X15)
28	94201-16250	PIN, COTTER (1.6X25)



Catalog Title:
GL1500A / GL1500SE / GL1500I '92 '93

Block No.
F 28

Block Title:
SWINGARM



Ref. No.	Part No.	Description
1	40200-MN5-003	JOINT COMP., YOKE - '92
1	40200-MZ3-003	JOINT COMP., YOKE
2	40201-MT8-003	SHAFT, PROPELLER
3	40215-MN5-000	SPRING
4	40219-MG9-000	CIRCLIP
5	40221-MB0-000	RING, STOPPER
6	40222-MN5-000	STOPPER
7	52100-MT8-000	SWINGARM ASSY., RR.
8	52104-MN5-000	BOOT, JOINT
9	90121-MT8-000	BOLT, R.
10	90122-MN5-000	BOLT, L.
11	90308-357-000	NUT, HEX. (10MM)
12	90355-469-000	NUT, RR.
13	91066-HA7-672	BEARING (17X40X23.5)
14	91261-ME9-005	OIL SEAL (27X43X7)
15	95701-08032-00	BOLT, FLANGE (8X32)

Catalog Title:

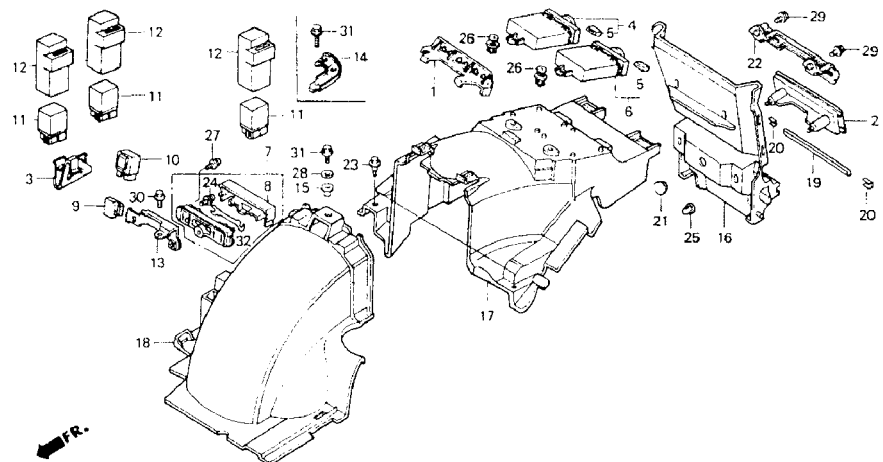
GL1500A / GL1500SE / GL1500I '92 '93

Block No.

F 30

Block Title:

REAR FENDER

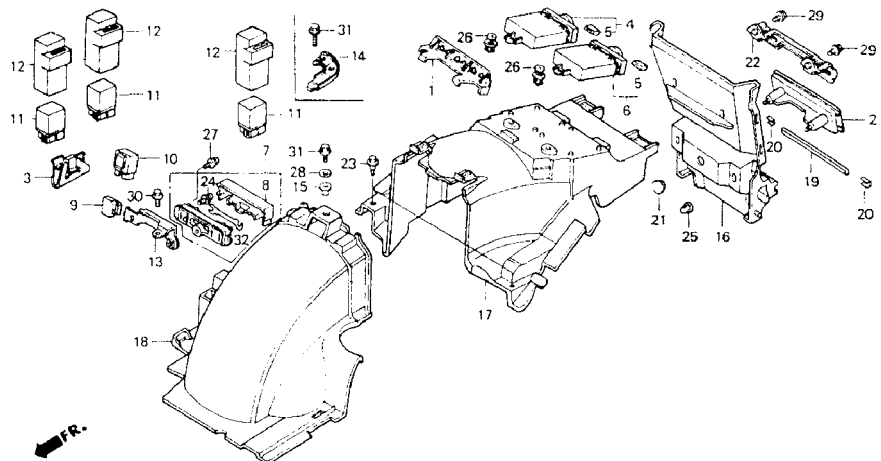


Ref. No.	Part No.	Description
1	32010-MN5-000	HOLDER, CONNECTOR
2	33742-MT2-004	REFLECTOR, RR.
3	35853-MT8-000	STAY, START RELAY - A/ SE '92'93
4	36400-MT8-003	CONT UNIT, REVERSE - A/ SE '92'93
5	36405-MN5-000	CAP, CONTROL UNIT - A/ SE '92'93
6	36700-MY4-003	CONTROLLER - A/ SE '92
6	36700-MZ3-003	CONTROLLER - A/ SE '93
7	38260-MN5-003	BOX, REVERSE FUSE
8	38265-MN5-003	COVER, FUSE BOX
9	38306-MF5-770	SUSPENSION
10	38380-MN5-003	RELAY COMP. (20A)
11	38501-KG8-004	RELAY COMP., STARTER
12	38506-KG8-004	SUSPENSION
13	50230-MN5-000	STAY, MAIN RELAY
14	50752-MT8-770	CLAMP, CABLE JOINT - SE'92'93
15	61105-MA3-000	COLLAR, FR. FENDER - A/I '92'93
16	80100-MN5-000ZN	FENDER, RR. *PB240M* - A/I '92'93
16	80100-MN5-000ZP	FDR A, RR. *R176C* - A/I '92'93
16	80100-MN5-000ZJ	FENDER, RR. *NH1Z* - A/I '93
16	80100-MN5-000ZR	FDR A, RR. *B134M* - SE'92'93
16	80100-MN5-000ZQ	FDR A, RR. *NH326P* - SE'93
16	80100-MN5-000ZS	FDR A, RR. *PB255P* - SE'93
17	80101-MN5-000	FENDER B, RR. - A/SE '92'93
17	80101-MW5-870	FENDER B COMP., RR. - I'92'93

Catalog Title:
GL1500A / GL1500SE / GL1500I '92 '93

Block No.
F 30

Block Title:
REAR FENDER



Ref. No.	Part No.	Description
18	80102-MN5-000	FENDER C, RR. -
19	81245-MN5-000	MOLDING, RR. FENDER
20	81247-MN5-000	CLIP, MOLDING
21	82871-671-000	GROMMET (25MM)
22	84700-MN5-000	BRKT, NUMBER PLATE
23	90112-GC6-000	BOLT, FLANGE (6MM)
24	90153-SB2-003	SCREW-WASHER (5X10) - A/SE '92'93
25	90167-SA0-980	NUT (5MM)
26	90670-SB2-671	SCREW - A/SE '92'93
27	93891-06016-08	SCREW-WASHER (6X16) - A/SE '92'93
28	94101-06000	WASHER, PLAIN (6MM) - A/I '92'93
28	94101-06080	WASHER, PLAIN (6MM) - A/I '92'93
28	94101-06800	WASHER, PLAIN (6MM) - A/I '92'93
29	95701-06012-07	BOLT, FLANGE (6X12)
30	95701-06012-08	BOLT, FLANGE (6X12) - A/SE '92 '93
31	95701-06014-08	BOLT, FLANGE (6X14)
32	98200-66500	FUSE (65A) - A/SE '92 '93

Catalog Title:

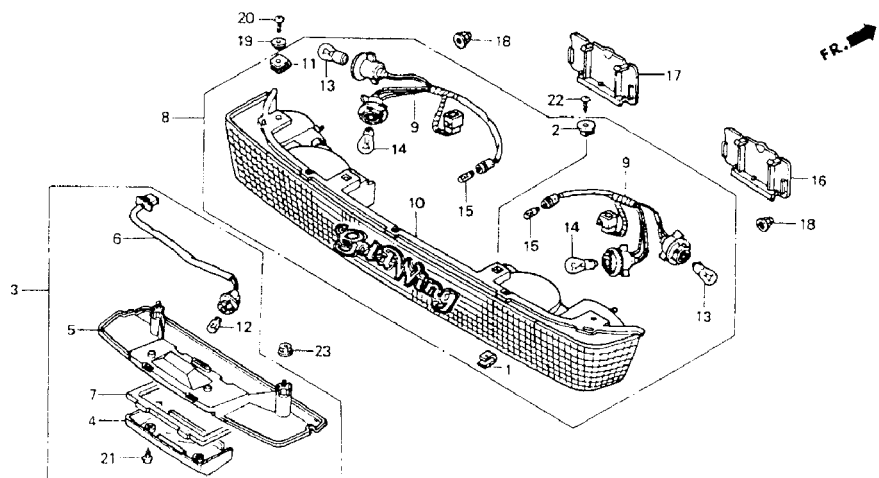
GL1500A / GL1500SE / GL1500I '92 '93

Block No.

F 31

Block Title:

TRUNK LIGHT



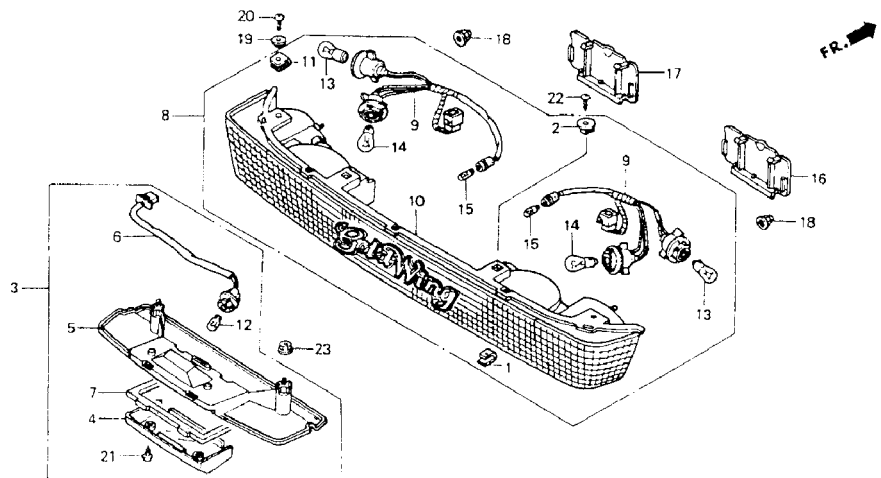
Ref. No.	Part No.	Description
1	33407-MB2-003	NUT, SPECIAL
2	33408-MN5-003	NUT B, SPECIAL
3	33720-MN5-003	LIGHT (12V 3CP)
3	33720-MT2-004	LIGHT (12V 3CP)
4	33726-MN5-003	LENS, LICENSE LIGHT
4	33726-MT2-004	LENS, LICENSE LIGHT
5	33727-MN5-003	BASE, LICENSE LIGHT
5	33727-MT2-004	BASE, LICENSE LIGHT
6	33728-MN5-003	SOCKET COMP.
6	33728-MT2-004	SOCKET COMP.
6	33728-MT2-602	SOCKET, LICENSE
7	33729-MN5-003	GASKET
8	33780-MN5-003	LIGHT SET, TRUNK
9	33788-MN5-003	WIRE COMP., TRUNK
10	33790-MN5-003	HOUSING, TRUNK LIGHT
11	33792-MN5-003	NUT, PLATE
12	34901-SB0-671	BULB (12V5W)
13	34905-268-671	BULB (12V 23W)
14	34906-SA5-671	BULB
15	34908-MB0-003	BULB (12V/3W)
16	81358-MN5-000	CVR, R. TRUNK LIGHT
17	81359-MN5-000	CVR, L. TRUNK LIGHT
18	90167-SA0-980	NUT (5MM)
19	90556-MB4-000	WASHER, FR.
20	93500-05014-0G	SCREW, PAN (5X14)

Catalog Title:
GL1500A / GL1500SE / GL1500I '92 '93

Block No.
F 31

Block Title:
TRUNK LIGHT

Ref. No.	Part No.	Description
21	93901-34420	SCREW, TAP (4X16)
21	93901-34520	SCREW, TAP (4X20)
22	93903-25380	SCREW, TAP (5X16)
23	94050-05080	NUT, FLANGE (5MM)



Catalog Title:

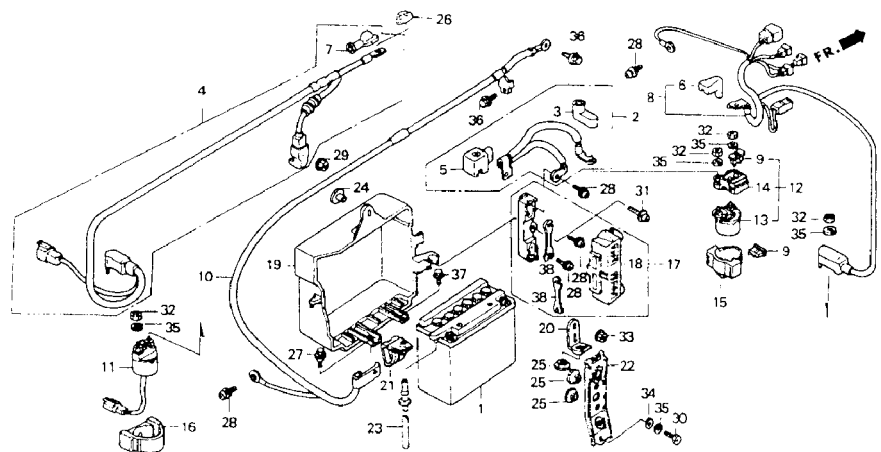
GL1500A / GL1500SE / GL1500I '92 '93

Block No.

F 32

Block Title:

BATTERY - A '92 '93 - SE '92 '93

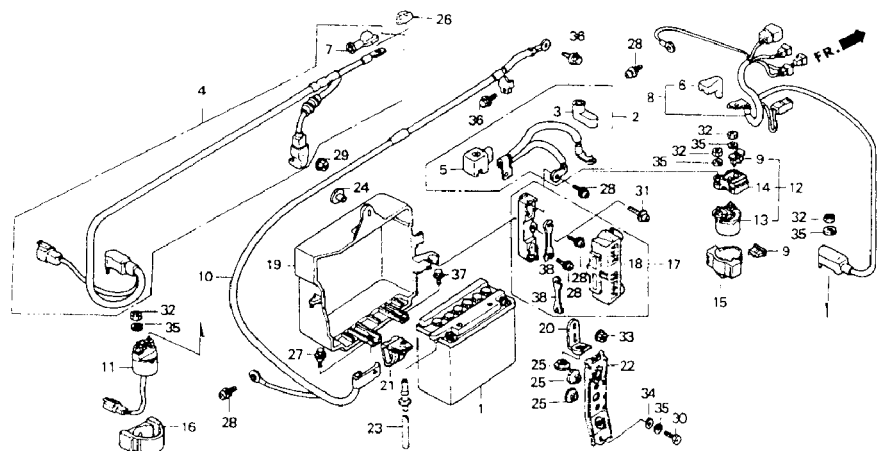


Ref. No.	Part No.	Description
1	31500-MN5-000	BAT (Y50-N18L-A3)
1	31500-MN5-007	BAT (Y50-N18L-A3)
1	31500-MN5-010	BAT (Y50-N18L-A3)
1	31500-MN5-020	BAT (Y50-N18L-A3)
2	32401-MN5-000	CABLE
3	32406-KT7-000	COVER A
4	32410-MT8-000	CABLE, STARTER MOTOR - '92
4	32410-MZ3-000	CABLE - '93
5	32412-MN5-000	COVER
6	32417-MG7-000	COVER B
7	32423-MN5-000	COVER
8	32425-MT8-000	CABLE
9	32507-SM4-003	FUSE (F30)
9	98200-33000	FUSE, BLADE (30A)
10	32601-MT8-000	CABLE
11	35850-MT8-000	SWITCH ASSY.
12	35850-MK3-671	SWITCH ASSY.
12	35850-MT8-003	SWITCH ASSY.
13	35851-MF5-751	SWITCH COMP.
14	35855-MG7-751	HOLDER ASSY., FUSE
15	35856-MK5-007	RUBBER, SHOCK
16	35856-425-000	RUBBER
17	38250-MN5-003	BOX ASSY., MAIN FUSE
18	38255-MN5-003	COVER, MAIN FUSE B
19	50320-MN5-000	BOX COMP., BATTERY

Catalog Title:
GL1500A / GL1500SE / GL1500I '92 '93

Block No.
F 32

Block Title:
BATTERY (A/SE)

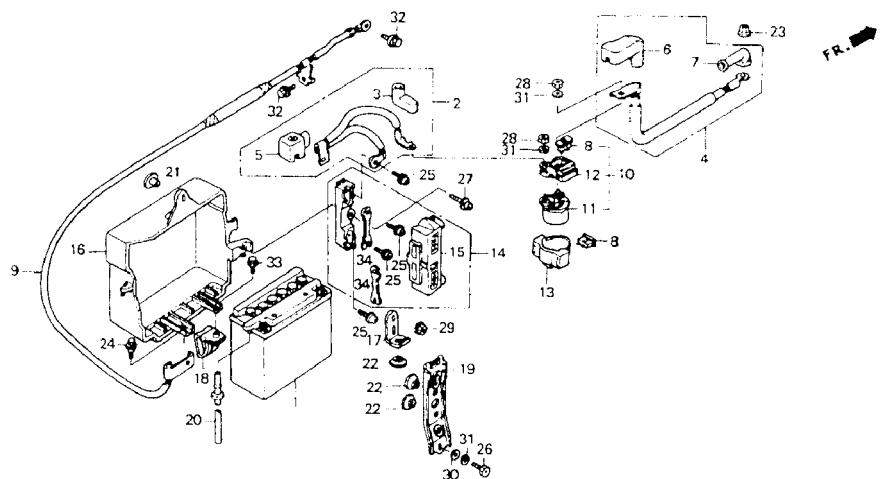


Ref. No.	Part No.	Description
20	50322-MN5-000	HOOK, BATTERY BAND
21	50323-MN5-000	CLAMP, BRAKE HOSE
22	50325-MN5-000	BAND, BATTERY
23	50328-MN5-000	TUBE, BATTERY
24	83119-MG9-000	COLLAR, LOCK SETTING
25	83618-323-000	RUBBER, BATTERY BOX
26	90071-MB0-000	NUT-WASHER (6MM)
27	90109-434-000	BOLT, SPECIAL (6MM)
28	90153-SB2-003	SCREW-WASHER (5X10)
29	90303-HA0-680	NUT, SPECIAL (6X7)
30	92301-06012-0A	BOLT (6X12)
31	93891-06016-08	SCREW-WASHER (6X16)
32	94002-06080-0S	NUT, HEX. (6MM)
33	94050-06080	NUT, FLANGE (6MM)
34	94101-06800	WASHER, PLAIN (6MM)
35	94111-06800	WASHER, SPRING (6MM)
36	95701-06012-08	BOLT, FLANGE (6X12)
37	95701-06016-08	BOLT, FLANGE (6X16)
38	98200-65500	FUSE G (55A)

Catalog Title:
GL1500A / GL1500SE / GL1500I '92 '93

Block No.
F 3201

Block Title:
BATTERY - I '92 '93

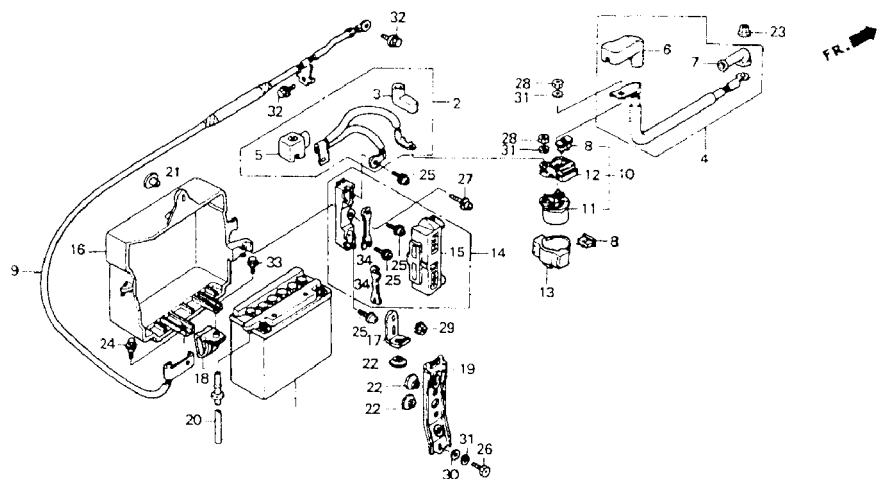


Ref. No.	Part No.	Description
1	31500-MN5-007	BAT (Y50-N18L-A3)
1	31500-MN5-010	BAT (Y50-N18L-A3)
1	31500-MN5-020	BAT (Y50-N18L-A3)
1	31500-MN5-017	BAT (Y50-N18L-A3)
2	32401-MN5-000	CABLE
3	32406-KT7-000	COVER A
4	32410-MW5-870	CABLE, STARTER MOTOR
5	32412-MN5-000	COVER
6	32417-MG7-000	COVER B
7	32423-MN5-000	COVER
8	32507-SM4-003	FUSE (F30)
8	98200-33000	FUSE, BLADE (30A)
9	32601-MW5-870	CABLE
10	35850-MK3-671	SWITCH ASSY.
10	35850-MT8-003	SWITCH ASSY.
11	35851-MF5-751	SWITCH COMP.
12	35855-MG7-751	HOLDER ASSY., FUSE
13	35856-MK5-007	RUBBER, SHOCK
14	38250-MN5-003	BOX ASSY., MAIN FUSE
15	38255-MN5-003	COVER, MAIN FUSE B
16	50320-MN5-000	BOX COMP., BATTERY
17	50322-MN5-000	HOOK, BATTERY BAND
18	50323-MN5-000	CLAMP, BRAKE HOSE
19	50325-MN5-000	BAND, BATTERY
20	50328-MN5-000	TUBE, BATTERY

Catalog Title:
GL1500A / GL1500SE / GL1500I '92 '93

Block No.
F 3201

Block Title:
BATTERY (I)

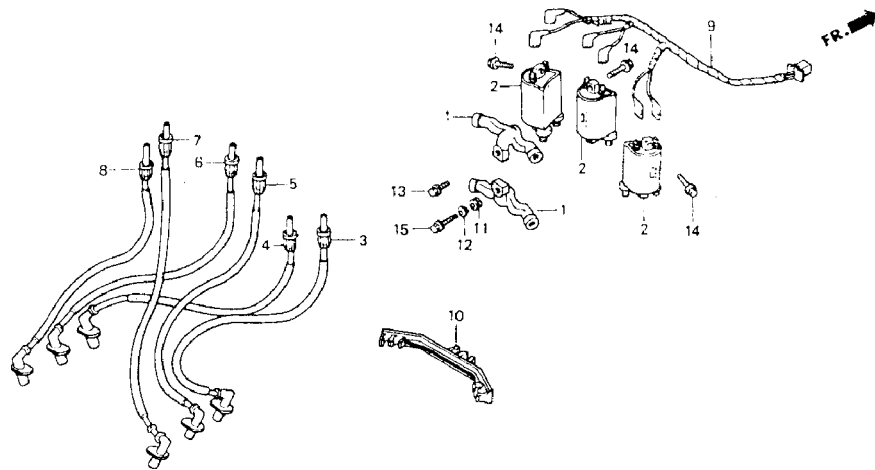


Ref. No.	Part No.	Description
21	83119-MG9-000	COLLAR, LOCK SETTING
22	83618-323-000	RUBBER, BATTERY BOX
23	90071-MB0-000	NUT-WASHER (6MM)
24	90109-434-000	BOLT, SPECIAL (6MM)
25	90153-SB2-003	SCREW-WASHER (5X10)
26	92301-06012-0A	BOLT (6X12)
27	93891-06016-08	SCREW-WASHER (6X16)
28	94002-06080-0S	NUT, HEX. (6MM)
29	94050-06080	NUT, FLANGE (6MM)
30	94101-06800	WASHER, PLAIN (6MM)
31	94111-06800	WASHER, SPRING (6MM)
32	95701-06012-08	BOLT, FLANGE (6X12)
33	95701-06016-08	BOLT, FLANGE (6X16)
34	98200-65500	FUSE G (55A)

Catalog Title:
GL1500A / GL1500SE / GL1500I '92 '93

Block No.
F 33

Block Title:
IGNITION COIL



Ref. No.	Part No.	Description
1	30501-MN5-000	STAY, IGNITION COIL
2	30510-KT7-013	COIL COMP., IGNITION
2	30510-KT7-023	COIL COMP., IGNITION
3	30751-MT8-003	CAP 1, IGNITION
4	30752-MT8-003	CAP 2, IGNITION
5	30753-MT8-003	CAP 3, IGNITION
6	30754-MT8-003	CAP 4, IGNITION
7	30755-MT8-003	CAP 5, IGNITION
8	30756-MT8-003	CAP 6, IGNITION
9	32050-MT2-000	SUB-WIRE
10	32981-MT8-003	CLAMP A
11	61329-MJ6-000	RUBBER
12	90501-MJ6-000	COLLAR
13	95701-06010-08	BOLT, FLANGE (6X10)
14	95701-06016-08	BOLT, FLANGE (6X16)
15	95701-06020-08	BOLT, FLANGE (6X20)

Catalog Title:

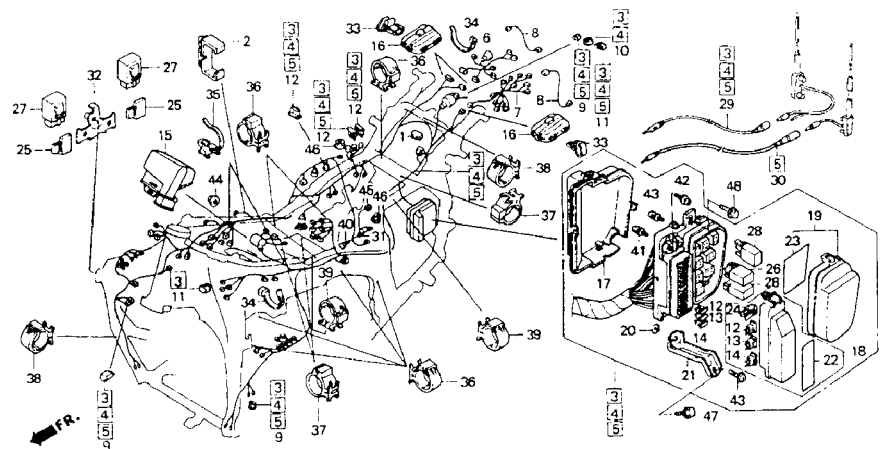
GL1500A / GL1500SE / GL1500I '92 '93

Block No.

F 34

Block Title:

WIRE HARNESS (A/SE)



Ref. No.	Part No.	Description
1	31710-371-008	RECTIFIER, SILICON - A/SE '92'93
2	32012-MT8-000	HOLDER C, CONNECTOR - A/SE '92'93
3	32100-MY4-000	WIRE HARNESS - A'92
3	32100-MY4-770	WIRE HARNESS - SE'92
4	32100-MZ3-670	WIRE HARNESS - A'93
5	32100-MZ3-770	WIRE HARNESS - SE'93
6	32101-MT8-000	SUB-HARNESS, R. RR.
7	32102-MT8-000	SUB-HARNESS, RR. - A'92
7	32102-MZ3-670	SUB-HARNESS, L. RR. - A'93
7	32102-MT8-770	SUB-HARNESS, L. RR. - SE'92
7	32102-MZ3-770	SUB-HARNESS, L. RR. - SE'93
8	32107-MN5-000	SUB-WIRE - A/SE '92
9	32136-MN5-003	CVR, CONNECTOR (2P)
10	32137-KB2-003	CVR, CONNECTOR (4P) - A'92'93, SE'93
11	32138-KB2-003	CVR, CONNECTOR (6P) - A/SE'92
11	32138-KB2-003	CVR, CONNECTOR (6P) - A/SE '93
12	32501-MT8-003	FUSE (F5) - A'92'93, SE'92
12	32501-MT8-003	FUSE (F5) - SE'93
12	98200-30500	FUSE, BLADE (5A) - A'92'93, SE'92
12	98200-30500	FUSE, BLADE (5A) - SE'93
13	32503-SM4-003	FUSE (F10)
13	98200-31000	FUSE, BLADE (10A)
14	32504-SM4-003	FUSE (F15)
14	98200-31500	FUSE, BLADE (15A)
15	32814-MN5-010	CVR, RADIO CONNECTOR

Catalog Title:

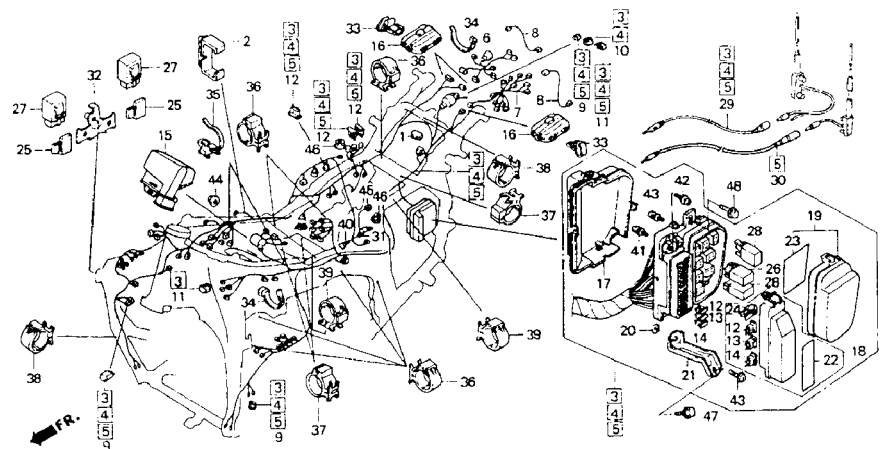
GL1500A / GL1500SE / GL1500I '92 '93

Block No.

F 34

Block Title:

WIRE HARNESS (A/SE)



Ref. No.	Part No.	Description
16	32815-MN5-003	CASE (22P)
17	38204-MN5-000	COVER (LOWER)
18	38205-MT8-000	COVER, FUSE BOX - A/SE '92
18	38205-MZ3-670	COVER, FUSE BOX - A/SE'93
19	38206-MT2-000	COVER, RELAY BOX - A/SE'92
19	38206-MZ3-670	COVER, RELAY BOX - A/SE '93
20	38207-MN5-000	NUT, BRACKET (5MM)
21	38208-MN5-000	BRACKET
22	38215-MN5-000	LABEL, FUSE BOX - A/SE '92
22	38215-MZ3-670	LABEL, FUSE BOX - A/SE '93
23	38216-MT2-000	LABEL, RELAY BOX - A/SE '92
23	38216-MZ3-670	LABEL, RELAY BOX - A/SE'93
24	38235-SA5-003	PULLER, FUSE
25	38306-MF5-770	SUSPENSION - SE'92'93
26	38360-MN5-003	RELAY COMP. (10A)
27	38365-MN5-811	RELAY COMP. (10A) - SE'92'93
28	38370-MN5-003	RELAY COMP. (20A)
29	39159-MN5-003	SUB-FEEDER, ANTENNA
30	39169-MZ3-770	SUB-FEEDER - SE'93
31	39280-MZ3-770	FILTER, ALTERNATOR - SE'93
32	50235-MT8-770	STAY - SE'92'93
33	50324-MN5-000	CLAMP
34	90650-MA6-720	BAND, WIRE HARNESS
35	90690-GHB-611	CLIP (25MM)
35	90690-GHB-661	CLIP, CABLE (20MM)

Catalog Title:

GL1500A / GL1500SE / GL1500I '92 '93

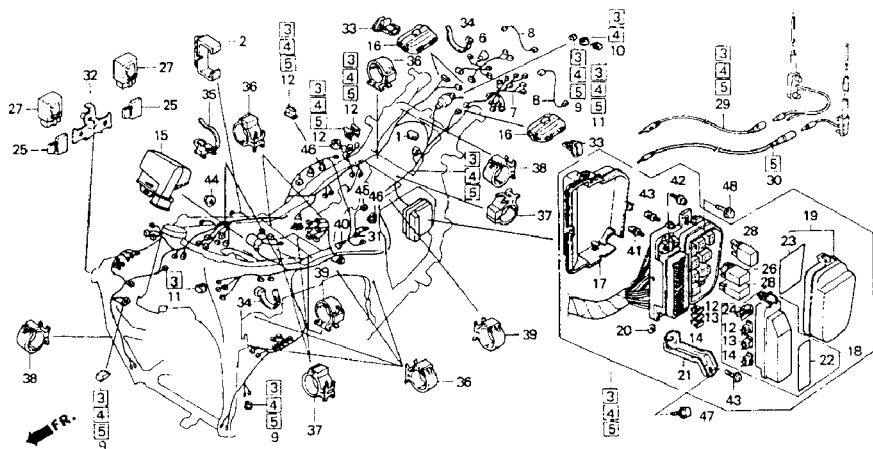
Block No.

F 34

Block Title:

WIRE HARNESS (A/SE)

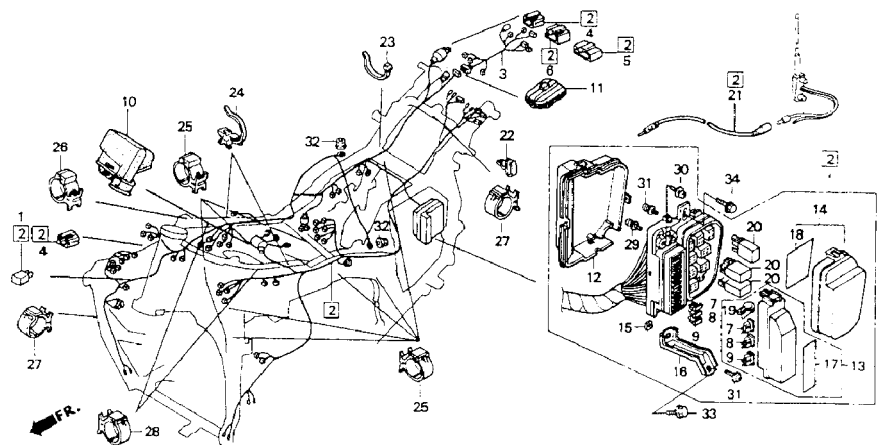
Ref. No.	Part No.	Description
36	90690-GHB-641	CLIP, CABLE (10MM)
37	90690-GHB-651	CLIP, CABLE (15MM)
38	90690-GHB-661	CLIP, CABLE (20MM)
39	90690-GHB-671	CLIP, CABLE (25MM)
40	92101-05018-0A	BOLT, HEX. (5X18) - SE'93
41	93893-04008-08	SCREW-WASHER (4X8)
42	93893-04010-08	SCREW-WASHER (4X10)
43	93893-05010-08	SCREW-WASHER (5X10)
44	94001-04000-0S	NUT, HEX. (4MM)
45	94001-05000-0S	NUT, HEX. (5MM) - SE'93
46	94050-06080	NUT, FLANGE (6MM)
47	95701-06008-00	BOLT, FLANGE (6X8)
48	95701-06012-08	BOLT, FLANGE (6X12)



Catalog Title:
GL1500A / GL1500SE / GL1500I '92 '93

Block No.
F 3401

Block Title:
WIRE HARNESS (I)

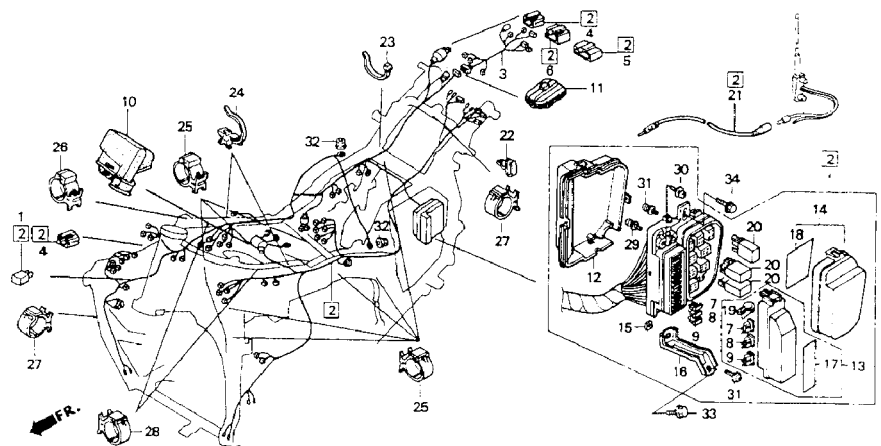


Ref. No.	Part No.	Description
1	31700-124-003	RECTIFIER, SILICON
1	31700-124-008	RECTIFIER, SILICON
2	32100-MY4-870	WIRE HARNESS - '92
2	32100-MZ3-870	WIRE HARNESS - '93
3	32102-MY4-870	SUB-HARNESS, RR. - '92
3	32102-MZ3-870	SUB-HARNESS, RR. - '93
4	32136-MN5-003	CVR, CONNECTOR (2P)
5	32137-KB2-003	CVR, CONNECTOR (4P)
6	32138-KB2-003	CVR, CONNECTOR (6P)
7	32501-MT8-003	FUSE (F5)
7	98200-30500	FUSE, BLADE (5A)
8	32503-SM4-003	FUSE (F10)
8	98200-31000	FUSE, BLADE (10A)
9	32504-SM4-003	FUSE (F15)
9	98200-31500	FUSE, BLADE (15A)
10	32814-MN5-010	CVR, RADIO CONNECTOR
11	32815-MN5-003	CASE (22P)
12	38204-MN5-000	COVER (LOWER)
13	38205-MW5-870	COVER, FUSE BOX '92
13	38205-MZ3-870	COVER, FUSE BOX '93
14	38206-MW5-870	COVER, RELAY BOX - '92
14	38206-MZ3-870	COVER, RELAY BOX - '93
15	38207-MN5-000	NUT, BRACKET (5MM)
16	38208-MN5-000	BRACKET
17	38215-MW5-870	LABEL, FUSE BOX - '92

Catalog Title:
GL1500A / GL1500SE / GL1500I '92 '93

Block No.
F 3401

Block Title:
WIRE HARNESS (I)



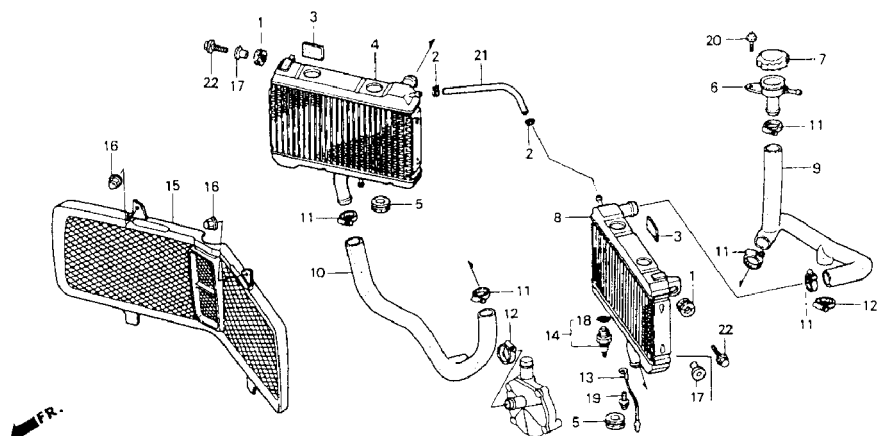
Ref. No.	Part No.	Description
17	38215-MZ3-870	LABEL, FUSE BOX - '93
18	38216-MW5-870	LABEL, RELAY BOX - '92
18	38216-MZ3-870	LABEL, RELAY BOX - '93
19	38235-SA5-003	PULLER, FUSE
20	38370-MN5-003	RELAY COMP. (20A) -'92
20	38370-MN5-003	RELAY COMP. (20A) - '93
21	39159-MN5-003	SUB-FEEDER, ANTENNA
22	50324-MN5-000	CLAMP
23	90650-MA6-720	BAND, WIRE HARNESS
24	90690-GHB-611	CLIP (25MM)
24	90690-GHB-661	CLIP, CABLE (20MM)
25	90690-GHB-641	CLIP, CABLE (10MM)
26	90690-GHB-651	CLIP, CABLE (15MM)
27	90690-GHB-661	CLIP, CABLE (20MM)
28	90690-GHB-671	CLIP, CABLE (25MM)
29	93893-04008-08	SCREW-WASHER (4X8)
30	93893-04010-08	SCREW-WASHER (4X10)
31	93893-05010-08	SCREW-WASHER (5X10)
32	94050-06080	NUT, FLANGE (6MM)
33	95701-06008-00	BOLT, FLANGE (6X8)
34	95701-06012-08	BOLT, FLANGE (6X12)

Catalog Title:
GL1500A / GL1500SE / GL1500I '92 '93

Block No.
F 35

Block Title:
RADIATOR

Ref. No.	Part No.	Description
1	15604-MG7-000	GROMMET, OIL COOLER
2	16969-MB1-000	CLIP, FUEL HOSE
3	17508-MN5-000	RUBBER, CUSHION
4	19010-MY4-003	RADIATOR COMP., R.
4	19010-MY4-004	RADIATOR COMP., R.
5	19012-HB9-000	RUBBER
6	19039-MN5-003	FILLER, NECK
7	19045-MT2-003	CAP COMP., RADIATOR - '92
7	19045-MZ3-405	CAP COMP., RADIATOR - '92
7	19045-MZ3-300	CAP COMP., RADIATOR - '93
8	19060-MN5-003	RADIATOR COMP., L.
8	19060-MT2-004	RADIATOR COMP., L.
9	19501-MN5-000	HOSE, RADIATOR
10	19502-MN5-000	HOSE, WATER (LOWER)
11	19503-MB1-870	CLAMP, WATER HOSE
12	19515-MJ4-670	CLAMP, WATER HOSE
13	32113-MN5-000	SUB-WIRE
14	37760-MT2-003	SWITCH, THERMOSTAT
15	85400-MN5-000	GRILLE, RADIATOR - A/SE'92'93
15	85400-MZ3-710	GRILLE, RADIATOR - A/SE'92'93
15	85400-MW5-870	GRILLE, RADIATOR - I'92'93
16	90167-MN5-000	NUT, CAP (5MM)
17	90551-MG7-000	COLLAR (.8X11) - A/I92'93
18	91307-PH7-660	O-RING (13.5X1.4)

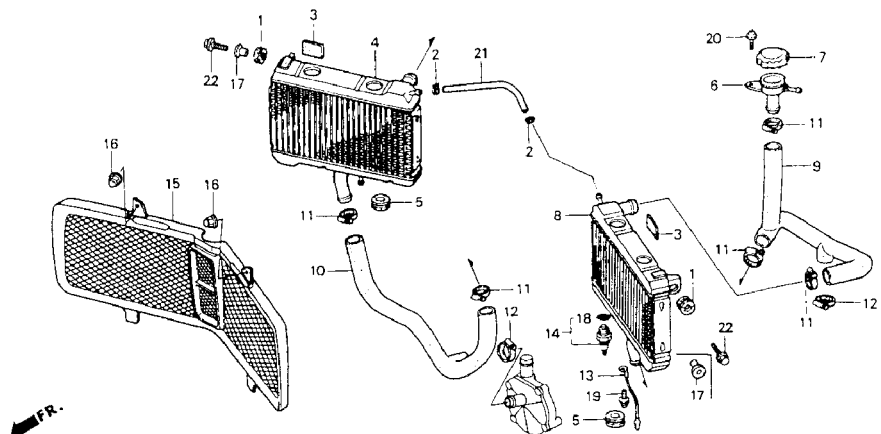


Catalog Title:
GL1500A / GL1500SE / GL1500I '92 '93

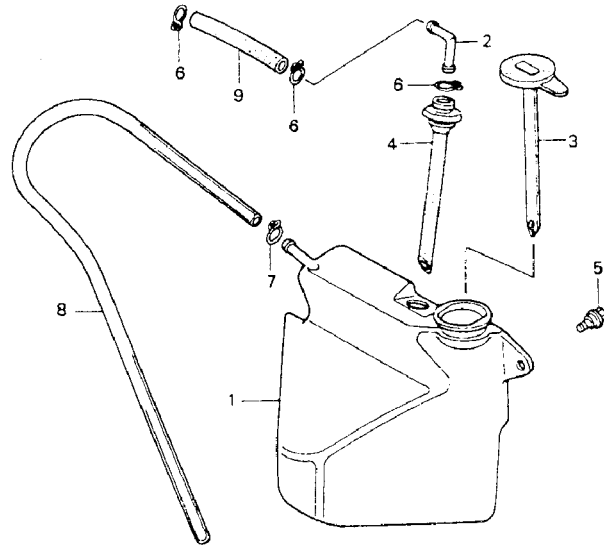
Block No.
F 35

Block Title:
RADIATOR

Ref. No.	Part No.	Description
18	91307-611-000	O-RING (13.5X1.4)
19	93891-04008-18	SCREW-WASHER (4X8)
20	93891-05016-07	SCREW-WASHER (5X16)
21	95001-75008-60M	BULK HOSE (7.5X8000)
22	95701-06020-08	BOLT, FLANGE (6X20)



Ref. No.	Part No.	Description
1	19101-MN5-000	TANK, RESERVE
1	19101-MN5-010	TANK, RESERVE
2	19103-MB9-000	JOINT, TUBE
3	19104-MN5-000	CAP, RESERVE TANK
4	19108-MB0-000	TUBE, LEVEL
5	90109-434-000	BOLT, SPECIAL (6MM)
6	95002-02120	CLIP, TUBE (B12)
7	95002-70000	CLIP, TUBE (C11)
8	95003-19080-20	TUBE (7X11X800)
9	95005-80120-20	*95005-80001-20M



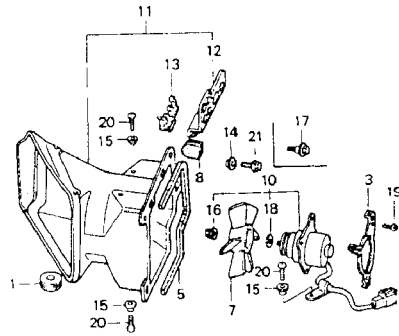
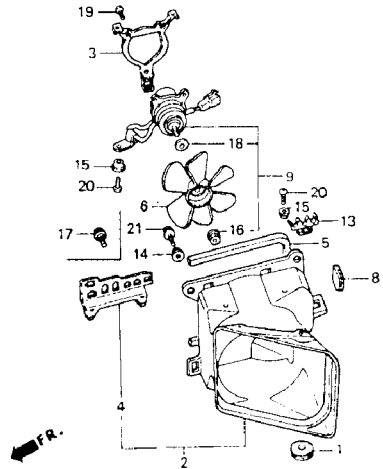
FR.

Catalog Title:
GL1500A / GL1500SE / GL1500I '92 '93

Block No.
F 37

Block Title:
COOLING FAN

Ref. No.	Part No.	Description
1	19012-HB9-000	RUBBER
2	19020-MT2-000	SHROUD ASSY., R.
3	19021-MN5-000	STAY, FAN MOTOR
4	19022-MN5-000	HOLDER, R.
5	19023-MN5-300	SEAL, FAN SHROUD
6	19024-MN5-003	FAN, R. COOLING
7	19025-MN5-003	FAN, L. COOLING
8	19027-MN5-000	GROMMET, SHROUD
9	19030-MW5-005	MOTOR ASSY., R. FAN
10	19032-MW5-005	MOTOR ASSY., L. FAN
11	19070-MT8-770	SHROUD ASSY., L.
12	19072-MT8-770	HOLDER, L.
13	32982-MT2-000	CLAMP B
14	61105-MA3-000	COLLAR, FR. FENDER - '92
15	61304-397-830	COLLAR
16	90041-PG6-004	NUT, HEX. (5MM)
17	90111-KAE-870	BOLT, RR. - '93
18	90511-MB6-003	WASHER, PLAIN (7MM)
19	93500-04006-0G	SCREW, PAN (4X6)
20	93500-05012-0A	SCREW, PAN (5X12)
21	95701-06012-08	BOLT, FLANGE (6X12) -'92



Catalog Title:

GL1500A / GL1500SE / GL1500I '92 '93

Block No.

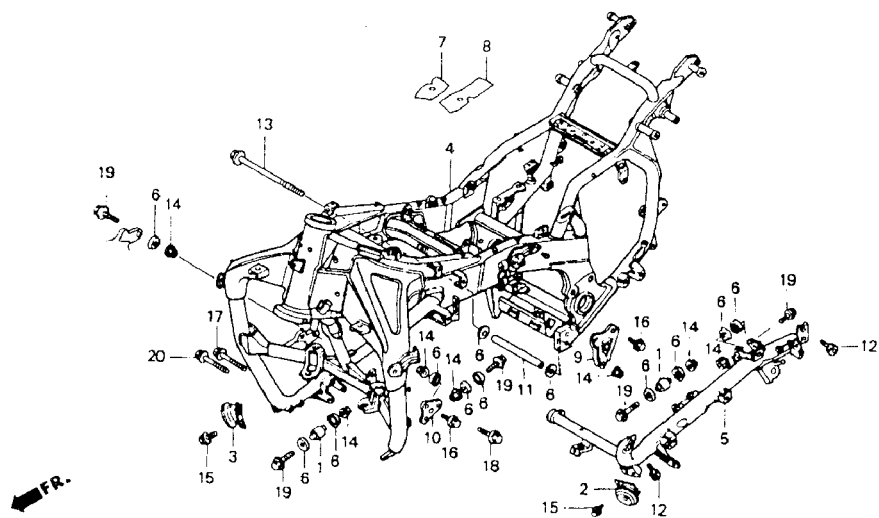
F 38

Block Title:

FRAME

Ref. No.	Part No.	Description
----------	----------	-------------

1	11141-MN5-000	BUSH, ENGINE HANGER
2	38110-MN5-003	HORN COMP. (HIGH)
3	38120-MN5-003	HORN COMP. (LOW) - A/SE'92'93
4	50100-MAM-000	FRAME COMP. - A/SE'92'93
4	50100-MAM-740	FRAME COMP. - A/SE'92'93
4	50100-MW5-000	FRAME - A/SE'92'93
4	50100-MW5-740	FRAME - A/SE'92'93
4	50100-MW5-870	FRAME - I'92'93
4	50100-MW5-880	FRAME - I'92'93
5	50150-MY4-000	FRAME, SUB
6	50203-MN5-000	RUBBER C, MOUNTING
7	50310-MT2-000	TAPE, R. (UPPER)
8	50311-MT2-000	TAPE, L. (UPPER)
9	50352-MN5-000	BRKT, L. RR. ENG HGR
9	50352-MT2-740	BRKT, L. RR. ENG HGR
10	50354-MN5-000	BRKT, L. FR. ENG HGR
11	50362-MN5-000	COLLAR B, DISTANCE
12	90106-MN5-000	BOLT, SOCKET (10X28)
13	90152-MN5-000	BOLT (10X310)
14	94050-10080	NUT, FLANGE (10MM)
15	95701-06010-08	BOLT, FLANGE (6X10)
16	95701-08020-08	BOLT, FLANGE (8X20)
17	95701-08080-08	BOLT, FLANGE (8X80)
18	95701-10055-08	BOLT, FLANGE (10X55)

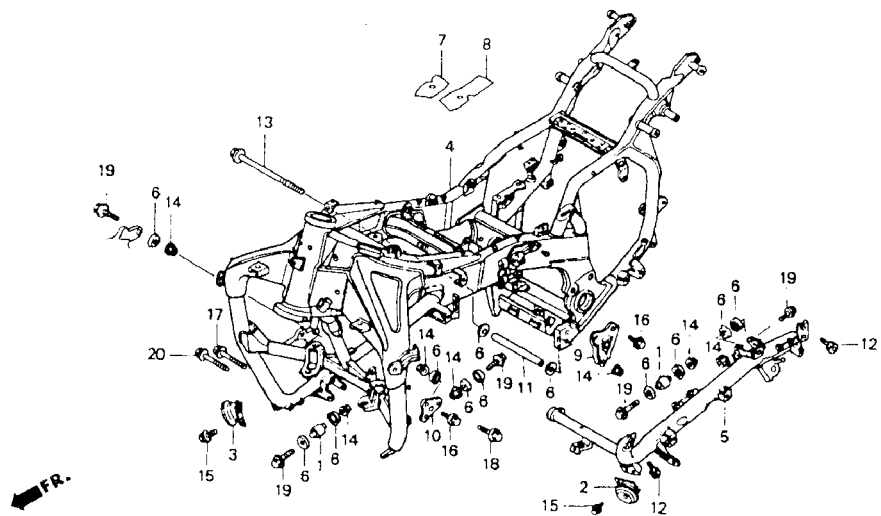


Catalog Title:
GL1500A / GL1500SE / GL1500I '92 '93

Block No.
F 38

Block Title:
FRAME

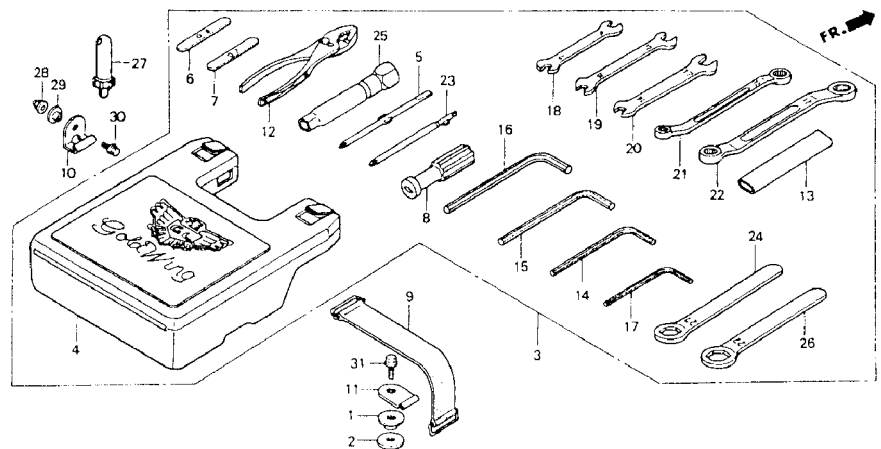
Ref. No.	Part No.	Description
19	95701-10060-08	BOLT, FLANGE (10X60)
20	95701-10070-08	BOLT, FLANGE (10X70)



Catalog Title:
GL1500A / GL1500SE / GL1500I '92 '93

Block No.
F 39

Block Title:
TOOLS (A/SE)



Ref. No.	Part No.	Description
1	81355-MN5-000	COLLAR
2	81356-MN5-000	RUBBER, BAG SETTING
3	89010-MN5-000	TOOL SET - '92
3	89010-MZ3-000	TOOL SET - '93
4	89101-MN5-000	BOX, TOOL
5	89102-MN5-000	SCREWDRIVER 2 - '92
5	89102-538-000	SHAFT - '93
6	89103-MG9-680	GAUGE, FEELER (0.8)
7	89103-371-000	GAUGE (0.7MM)
8	89103-538-000	GRIP
9	89105-MN5-000	BAND, TOOL SETTING
10	89106-MN5-000	STAY, TOOL SETTING
11	89108-MT2-000	PLATE, TOOL SET
12	89210-MN5-000	PLIER (150) - '92
12	99002-15000	PLIERS (150) - '93
13	89217-MN5-000	HANDLE (12) - '92
13	99006-12000	HANDLE (12MM) - '93
14	89221-MJ4-000	WRENCH, HEX. (5MM) '92
14	89221-429-000	WRENCH, HEX. (5MM) - '93
15	89221-422-000	WRENCH, HEX. (6MM) - '92
15	89221-371-000	WRENCH, HEX. (6MM) - '93
16	89222-422-000	WRENCH, HEX. (8MM) - '92
16	89222-371-000	WRENCH, HEX. (8MM) - '93
17	89223-MN5-000	WRENCH, HEX. (4MM) - '92
17	89221-KW3-000	WRENCH, HEX. (4MM) - '93

Catalog Title:

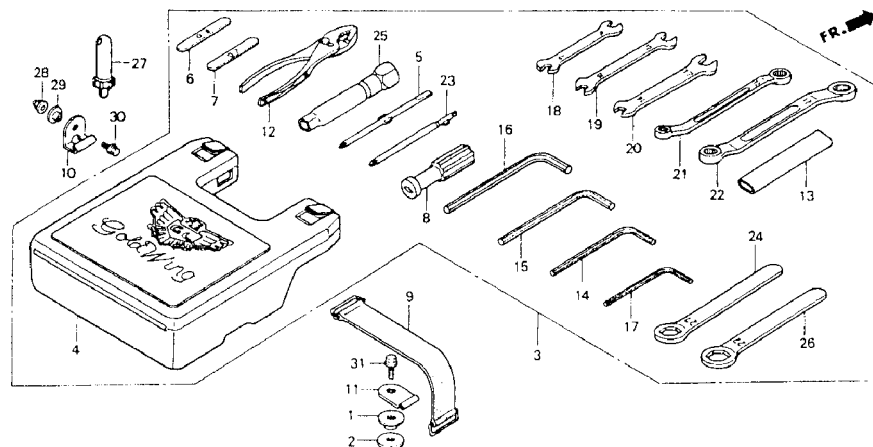
GL1500A / GL1500SE / GL1500I '92 '93

Block No.

F 39

Block Title:

TOOLS (A/SE)

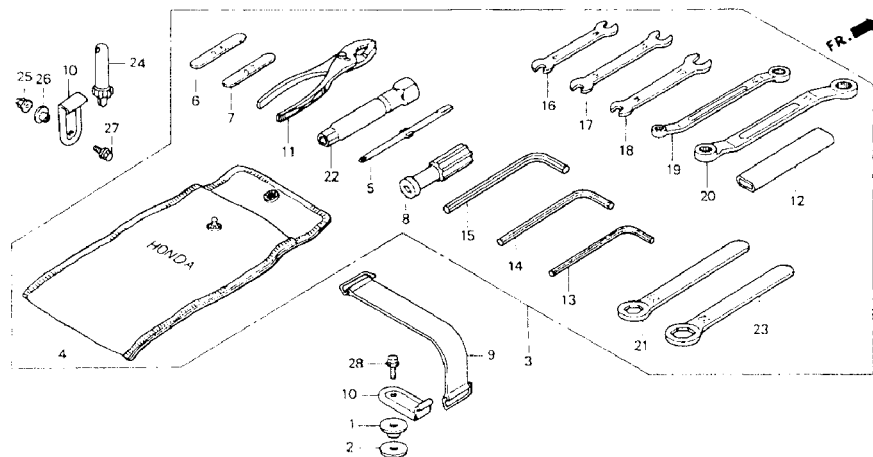


Ref. No.	Part No.	Description
18	89224-MN5-000	WRENCH (7X8) - '92
18	89224-MZ3-000	WRENCH (7X8) - '93
19	89225-MN5-000	WRENCH (10X12) - '92
19	99001-10120	SPANNER (10X12) - '93
20	89226-MN5-000	SPANNER (14X17) - '92
20	99001-14170	SPANNER (14X17) - '93
21	89227-MN5-000	EYE WRENCH (10X12) - '92
21	89227-461-000	WRENCH, EYE (10X12) - '93
22	89228-MN5-000	EYE WRENCH (14X17) - '92
22	89228-MR8-000	WRENCH, EYE (14X17) - '93
23	89228-422-000	SCREWDRIVER 3 - '92
23	99003-20000	DRIVER 2 (NO.3) - '93
24	89229-MN5-000	EYE WRENCH (27MM) - '92
24	99006-27000	WRENCH, EYE (27MM) - '93
25	89250-MN5-000	WRENCH, BOX (P18) - '92
25	89216-MB0-000	WRENCH, PLUG
26	89255-MN5-000	WRENCH, EYE (22) - '92
26	99006-22000	WRENCH, EYE (22MM) - '93
27	89301-MN5-003	GAUGE, AIR PRESSURE
28	90201-428-900	NUT, CAP (6MM)
28	90308-MT8-000	NUT, CAP (6MM)
29	90512-KF9-900	WASHER (6X20)
30	96001-06012-07	BOLT, FLANGE (6X12)
31	96001-06020-07	BOLT, FLANGE (6X20)

Catalog Title:
GL1500A / GL1500SE / GL1500I '92 '93

Block No.
F 3901

Block Title:
TOOLS (I)



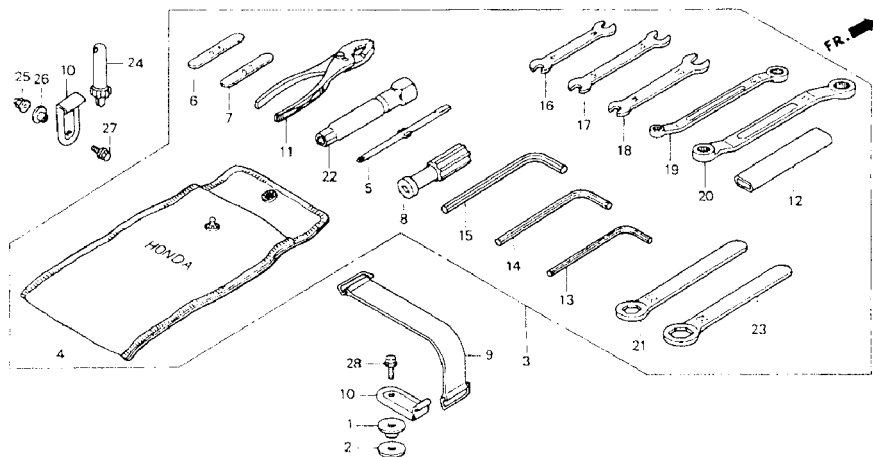
Ref. No.	Part No.	Description
1	81355-MN5-000	COLLAR
2	81356-MN5-000	RUBBER, BAG SETTING
3	89010-MW5-870	TOOL SET
4	89101-ME5-670	BAG, TOOL
4	89101-300-010	BAG, TOOL
4	99008-02000	BAG, TOOL (200MM)
5	89102-MN5-000	SCREWDRIVER 2
6	89103-MG9-680	GAUGE, FEELER (0.8)
7	89103-371-000	GAUGE (0.7MM)
8	89103-538-000	GRIP
9	89105-MN5-000	BAND, TOOL SETTING
10	89108-MT2-000	PLATE, TOOL SET
11	89210-MN5-000	PLIER (150)
12	89217-MN5-000	HANDLE (12)
13	89221-MJ4-000	WRENCH, HEX. (5MM)
14	89221-422-000	WRENCH, HEX. (6MM)
15	89222-422-000	WRENCH, HEX. (8MM)
16	89224-MN5-000	WRENCH (7X8)
17	89225-MN5-000	WRENCH (10X12)
18	89226-MN5-000	SPANNER (14X17)
19	89227-MN5-000	EYE WRENCH (10X12)
20	89228-MN5-000	EYE WRENCH (14X17)
21	89229-MN5-000	EYE WRENCH (27MM)
22	89216-MB0-000	WRENCH, PLUG
22	89250-MN5-000	WRENCH, BOX (P18)

Catalog Title:
GL1500A / GL1500SE / GL1500I '92 '93

Block No.
F 3901

Block Title:
TOOLS (I)

Ref. No.	Part No.	Description
23	89255-MN5-000	WRENCH, EYE (22)
24	89301-MN5-003	GAUGE, AIR PRESSURE
25	90201-428-900	NUT, CAP (6MM)
25	90308-MT8-000	NUT, CAP (6MM)
26	90512-KF9-900	WASHER (6X20)
27	96001-06012-07	BOLT, FLANGE (6X12)
28	96001-06020-07	BOLT, FLANGE (6X20)



Catalog Title:

GL1500A / GL1500SE / GL1500I '92 '93

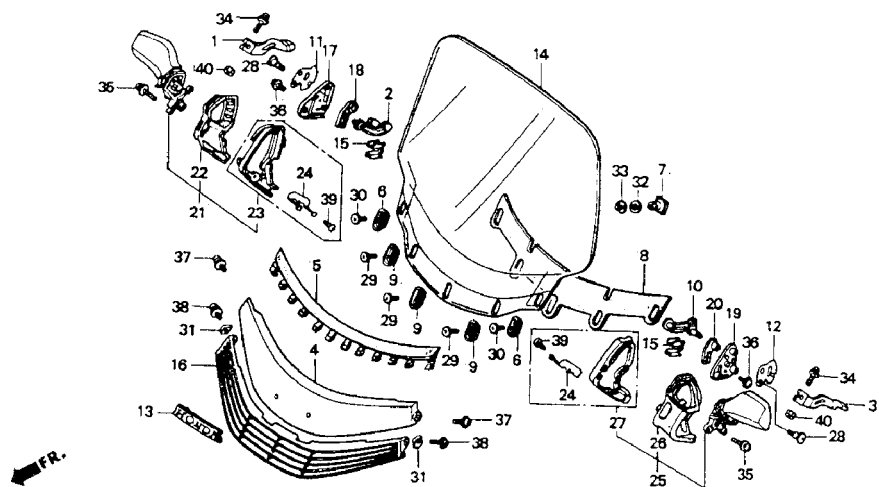
Block No.

F 40

Block Title:

WIND SCREEN (A/I)

Ref. No.	Part No.	Description
1	64107-MT8-000	LEVER, R. - A'92'93
2	64108-MAM-000	PLATE, R. TENSION- A'92'93
2	64108-MT8-000	PLATE, R. TENSION- A'92'93
3	64109-MT8-000	LEVER, L. - A'92'93
4	64110-MN5-000	GARNISH, SCREEN- A'92'93, I'93
4	64110-MY4-870ZA	GARNISH *NH132M* - I'92
5	64111-MT8-000	SEAL, WINDSCREEN
6	64113-MN5-000	PLATE- A'92'93
6	64116-MN5-000	PLATE- I'92'93
7	64114-MG9-770	NUT
8	64115-MAM-000	RUBBER, SCREEN
8	64115-MN5-000	RUBBER, SCREEN
9	64116-MN5-000	PLATE
10	64118-MAM-000	PLATE, L. TENSION- A'92'93
10	64118-MT8-000	PLATE, L. TENSION- A'92'93
11	64123-MT8-000	PLATE, R. LEVER SIDE- A'92'93
12	64124-MT8-000	PLATE, L. LEVER SIDE- A'92'93
13	64125-MT8-000	EMBLEM
14	64130-MW5-000	WINDSCREEN COMP.- A'92'93
14	64100-MW5-870	WINDSCREEN - I'92'93
15	64219-MN5-000	CLIP, SCREEN GUIDE- A'92'93
16	64260-MN5-000	LOUVER, FR. (UPPER)
17	64531-MN5-000	BASE, R. MIRROR- A'92'93
17	64531-MW5-870	BASE, R. MIRROR- I'92'93
18	64532-MT8-000	PLATE, R. PIVOT- A'92'93



Catalog Title:

GL1500A / GL1500SE / GL1500I '92 '93

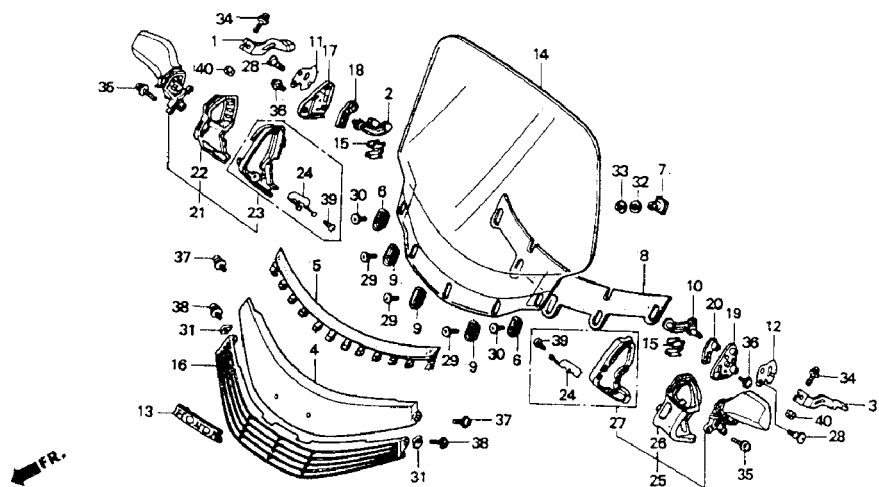
Block No.

F 40

Block Title:

WIND SCREEN (A/I)

Ref. No.	Part No.	Description
19	64631-MN5-000	BASE, L. MIRROR- A'92'93
19	64631-MW5-870	BASE, L. MIRROR- I'92'93
20	64632-MT8-000	PLATE, L. PIVOT- A'92'93
21	88110-MT8-000ZJ	MIR, R. BACK *R176C*- A'92'93
21	88110-MT8-000ZK	MIR, R. *PB240M*- A'92'93
21	88110-MT8-000ZF	MIR, R. BACK *NH1Z*- '93
21	88110-MW5-870ZA	MIRROR, R. *NH105*- I'92'93
22	88113-MN5-003	BOOT, R.
23	88114-MN5-003ZP	BASE, R. *R176C*- A'92'93
23	88114-MN5-003ZR	BASE, R. *PB240M*- A'92'93
23	88114-MN5-003ZJ	BASE, R. *NH1Z*- A'93
23	88114-MN5-003ZL	BASE, R. *YR168M*- I'92'93
24	88119-MN5-000	PLATE, SET
25	88120-MT8-000ZJ	MIRROR, L. *R176C*- A'92'93
25	88120-MT8-000ZK	MIRROR, L. *PB240M*- A'92'93
25	88120-MT8-000ZF	MIRROR, L. *NH1Z*- A'93
25	88120-MW5-870ZA	MIR *NH105/YR168M*- I'92'93
26	88123-MN5-003	BOOT, L.
27	88124-MN5-003ZP	BASE, L. *R176C*- A'92'93
27	88124-MN5-003ZR	BASE, L. *PB240M*- A'92'93
27	88124-MN5-003ZJ	BASE, L. *NH1Z*- A'93
27	88124-MN5-003ZL	BASE, L. *YR168M*- I'92'93
28	90104-KT8-710	SCREW, SPECIAL (6X8)
29	90107-MN5-000	SCREW- A'92'93
29	90110-GW0-000	SCREW (6X14)- I'92'93

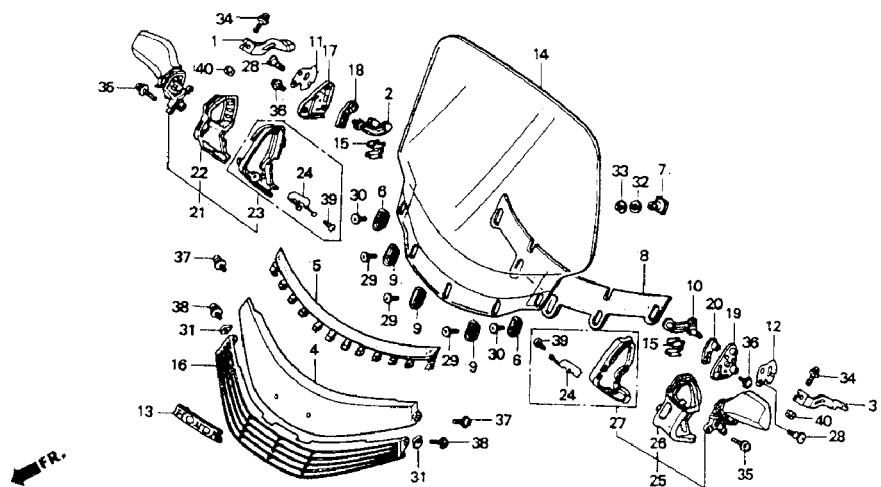


Catalog Title:
GL1500A / GL1500SE / GL1500I '92 '93

Block No.
F 40

Block Title:
WIND SCREEN (A/I)

Ref. No.	Part No.	Description
30	90107-MT2-000	SCREW (6X12)- A'92'93
30	90110-GW0-000	SCREW (6X14)- I'92'93
31	90305-MN5-000	NUT, PLATE (5MM)
32	90501-MT2-000	WASHER
33	90601-473-003	E-RING (8MM)
34	93891-05022-07	SCREW-WASHER (5X22)- A'92'93
35	93891-05028-08	SCREW-WASHER (5X28)
36	93893-05012-08	SCREW-WASHER (5X12)- A'92'93
36	93893-05012-18	SCREW-WASHER (5X12)
37	93894-05012-18	SCREW-WASHER (5X12)
37	90107-MM5-000	SCREW, PAN (6X14)
38	93894-05016-07	SCREW-WASHER (5X16)
39	93901-24280	SCREW, TAP (4X10)
40	94001-05080-0S	NUT, HEX. (5MM)- A'92'93

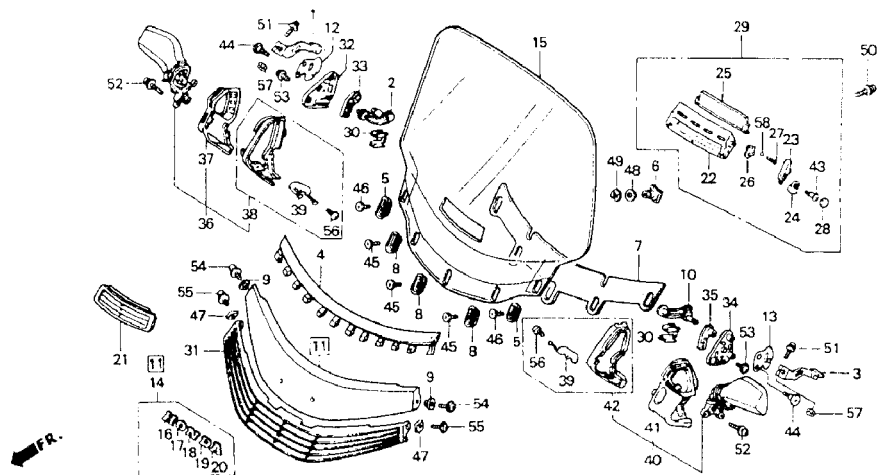


Catalog Title:
GL1500A / GL1500SE / GL1500I '92 '93

Block No.
F 4001

Block Title:
WIND SCREEN (SE) '92'93

Ref. No.	Part No.	Description
1	64107-MT8-000	LEVER, R.
2	64108-MAM-000	PLATE, R. TENSION
2	64108-MT8-000	PLATE, R. TENSION
3	64109-MT8-000	LEVER, L.
4	64111-MT8-000	SEAL, WINDSCREEN
5	64113-MN5-000	PLATE
6	64114-MG9-770	NUT
7	64115-MAM-000	RUBBER, SCREEN
7	64115-MN5-000	RUBBER, SCREEN
8	64116-MN5-000	PLATE
9	64117-MW5-000	COLR, SCREEN GARNISH
10	64118-MAM-000	PLATE, L. TENSION
10	64118-MT8-000	PLATE, L. TENSION
11	64120-MY4-770	GARNISH, SCREEN
12	64123-MT8-000	PLATE, R. LEVER SIDE
13	64124-MT8-000	PLATE, L. LEVER SIDE
14	64125-MAM-000	EMBLEM, FR.
14	64125-MT8-770	EMBLEM, FR.
15	64130-MW5-770	WINDSCREEN COMP.
16	64142-MT8-770	EMBLEM, FR.
17	64143-MT8-770	EMBLEM, FR.
18	64144-MT8-770	EMBLEM, FR.
19	64145-MT8-770	EMBLEM, FR.
20	64146-MT8-770	EMBLEM, FR.
21	64150-MT8-770	GRILLE

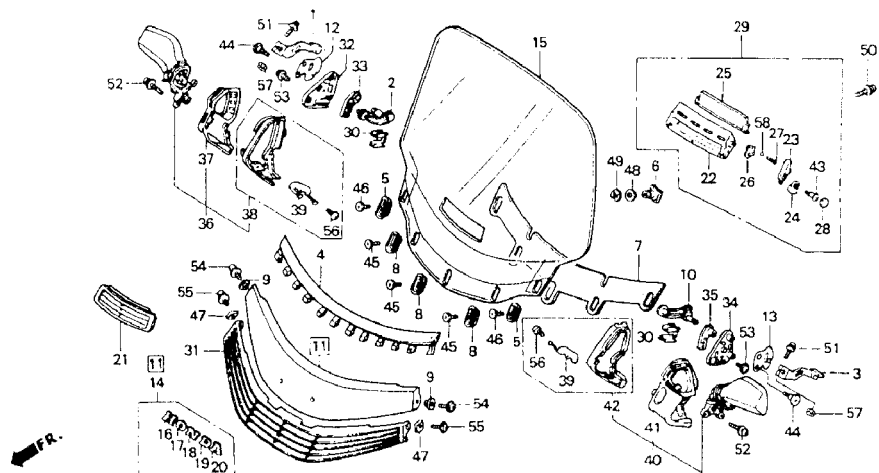


Catalog Title:
GL1500A / GL1500SE / GL1500I '92 '93

Block No.
F 4001

Block Title:
WIND SCREEN (SE)

Ref. No.	Part No.	Description
22	64155-MY4-770	VISOR
23	64157-MT8-770	LEVER
24	64158-MT8-770	COVER
25	64160-MT8-770	LID
26	64166-MT8-770	PLATE, LEVER CLICK
27	64167-MT8-770	SPRING, LEVER CLICK
28	64168-MT8-770	PLATE, COVER
29	64170-MY4-770	VISOR, FRESH AIR
30	64219-MN5-000	CLIP, SCREEN GUIDE
31	64260-MW5-770	LOUVER, FR. (UPPER)
32	64531-MN5-000	BASE, R. MIRROR
33	64532-MT8-000	PLATE, R. PIVOT
34	64631-MN5-000	BASE, L. MIRROR
35	64632-MT8-000	PLATE, L. PIVOT
36	88110-MT8-000ZL	MIR, R. BACK *B134M*
36	88110-MT8-000ZM	MIR, R. *NH326P* - SE'93
36	88110-MT8-000ZN	MIR, R. *PB255P* - SE'93
37	88113-MN5-003	BOOT, R.
38	88114-MN5-003ZS	BASE, R. *B134M*
38	88114-MN5-003ZT	BASE, R. *NH326P* - SE'93
38	88114-MN5-003ZU	BASE, R. *PB255P* - SE'93
39	88119-MN5-000	PLATE, SET
40	88120-MT8-000ZL	MIRROR, L. *B134M*
40	88120-MT8-000ZM	MIRROR, L. *NH326P* - SE'93
40	88120-MT8-000ZN	MIRROR, L. *PB255P* - SE'93

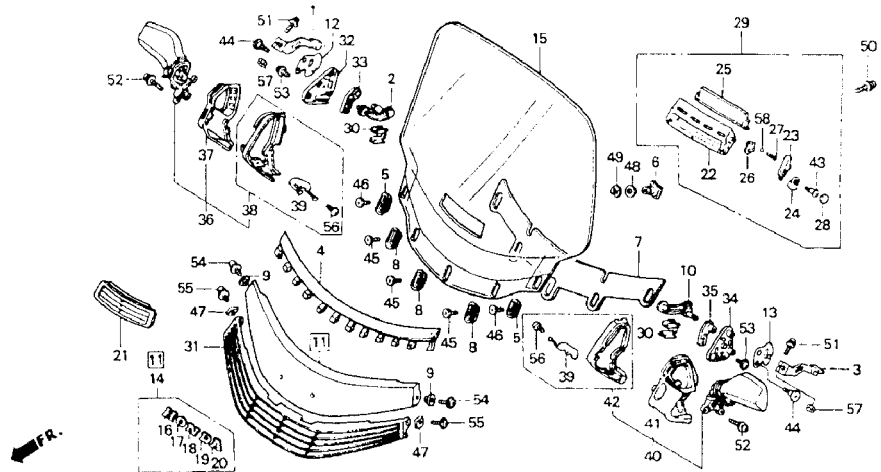


Catalog Title:
GL1500A / GL1500SE / GL1500I '92 '93

Block No.
F 4001

Block Title:
WIND SCREEN (SE)

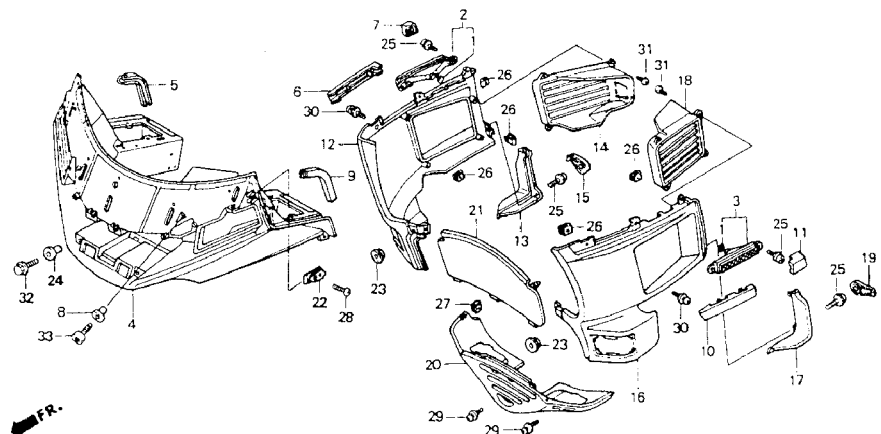
Ref. No.	Part No.	Description
41	88123-MN5-003	BOOT, L.
42	88124-MN5-003ZS	BASE, L. *B134M*
42	88124-MN5-003ZT	BASE, L. *NH326P* - SE'93
42	88124-MN5-003ZU	BASE, L. *PB255P* - SE'93
43	90101-GE0-000	SCREW, HINGE PATCH
44	90104-KT8-710	SCREW, SPECIAL (6X8)
45	90107-MN5-000	SCREW
46	90107-MT2-000	SCREW (6X12)
47	90305-MN5-000	NUT, PLATE (5MM)
48	90501-MT2-000	WASHER
49	90601-473-003	E-RING (8MM)
50	93891-04012-07	SCREW-WASHER (4X12)
51	93891-05022-07	SCREW-WASHER (5X22)
52	93891-05028-08	SCREW-WASHER (5X28)
53	93893-05012-08	SCREW-WASHER (5X12)
53	93893-05012-18	SCREW-WASHER (5X12)
54	93894-05012-18	SCREW-WASHER (5X12)
55	93894-05016-07	SCREW-WASHER (5X16)
56	93901-24280	SCREW, TAP (4X10)
57	94001-05080-0S	NUT, HEX. (5MM)
58	96211-06000	BALL (#6) (3/16)



Catalog Title:
GL1500A / GL1500SE / GL1500I '92 '93

Block No.
F 41

Block Title:
FAIRING

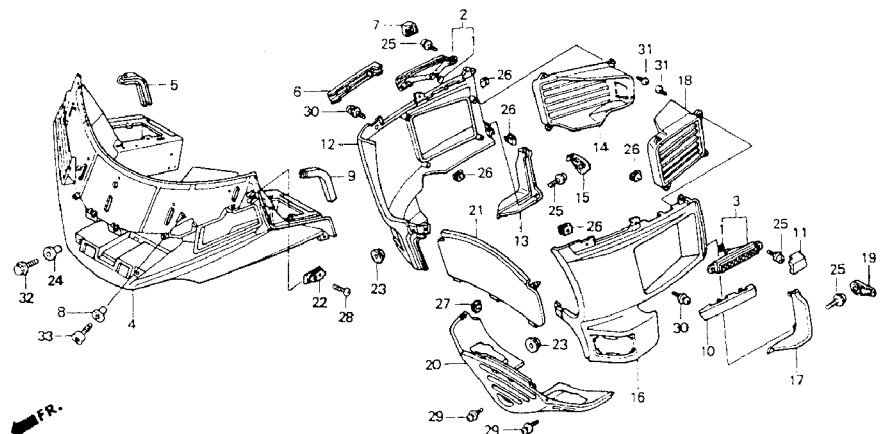


Ref. No.	Part No.	Description
1	33710-MM5-711	GROMMET
2	33740-MN5-013	LAMP, R. FR.
3	33745-MAM-A62	REFLECTOR SET, FR.
3	33745-MN5-013	LAMP, L. FR.
4	64200-MT8-000ZF	FAIRING *R176C* - A/I'92'93
4	64200-MT8-000ZG	FAIRING *PB240M* - A/I'92'93
4	64200-MT8-000ZD	FAIRING COMP. *NH1Z* - A/I '93
4	64200-MY4-770ZA	FAIRING *B134M* - SE'92
4	64200-MT8-000ZJ	FAIRING *NH326P* - SE'93
4	64210-MZ3-770ZE	FAIRING SET *B134M* - SE'93
4	64210-MZ3-770ZF	FAIRING SET *PB255P* - SE'93
4	64210-MZ3-770ZG	FAIRING SET *NH326P* - SE'93
5	64204-MN5-000ZN	MOLDING, R. *R176C* - A/I'92'93
5	64204-MN5-000ZP	MOLDING, R. *PB240M* - A/I'92'93
5	64204-MN5-000ZJ	MOLDING, R. *NH1Z* - A/I'93
5	64204-MN5-000ZR	MOLDING, R. *B134M* - SE'92'93
5	64204-MN5-000ZQ	MOLDING, R. *NH326P* - SE'93
5	64204-MN5-000ZS	MOLDING, R. *PB255P* - SE'93
6	64205-MN5-000	MOLDING, R. FR. SIDE
7	64206-MN5-000	MOLDING, R. RR. SIDE
8	64209-MN5-000	COLLAR
9	64214-MN5-000ZN	MOLDING, L. *R176C* - A/I'92'93
9	64214-MN5-000ZP	MOLDING, L. *PB240M* - A/I'92'93
9	64214-MN5-000ZJ	MOLDING, L. *NH1Z* - A/I'93
9	64214-MN5-000ZR	MOLDING, L. *B134M* - SE'92'93

Catalog Title:
GL1500A / GL1500SE / GL1500I '92 '93

Block No.
F 41

Block Title:
FAIRING

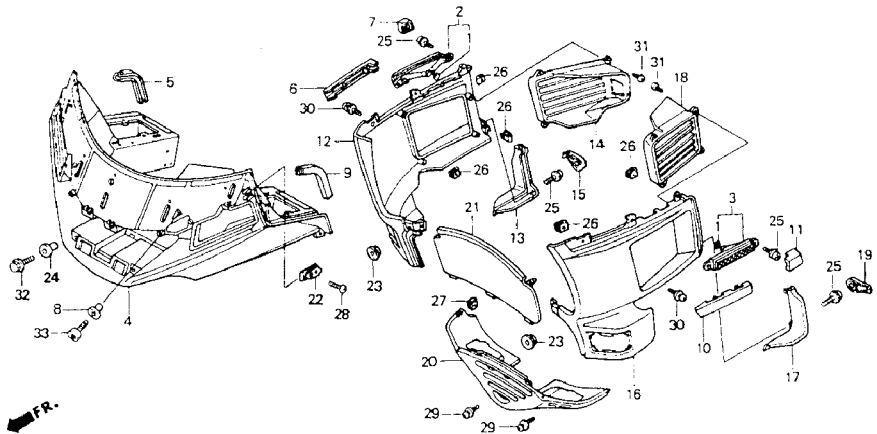


Ref. No.	Part No.	Description
9	64214-MN5-000ZQ	MOLDING, L. *NH326P* - SE '93
9	64214-MN5-000ZS	MOLDING, L. *PB255P* - SE'93
10	64215-MN5-000	MOLDING, L. FR. SIDE
11	64216-MN5-000	MOLDING, L. RR. SIDE
12	64280-MN5-000ZM	COWL, R. *R176C* - A/I'92'93
12	64280-MN5-000ZN	COWL, R. *PB240M* - A/I'92'93
12	64280-MN5-000ZH	COWL, R. *NH1Z* - A/I'93
12	64280-MT8-770ZD	COWL, R. *B134M* - SE'92'93
12	64280-MT8-770ZF	COWL, R. *NH326P* - SE'93
12	64280-MT8-770ZG	COWL, R. *PB255P* - SE'93
13	64284-MN5-000ZN	DEFLECTOR *R176C* - A/I'92'93
13	64284-MN5-000ZP	DEFLECTOR *PB240M* - A/I'92'93
13	64284-MN5-000ZJ	DEFLECTOR, R. *NH1Z* - A/I'93
13	64284-MN5-000ZR	DEFLECTOR *B134M* - SE'92'93
13	64284-MN5-000ZQ	DEFLECTOR *NH326P* - SE'93
13	64284-MN5-000ZS	DEFLECTOR *PB255P* - SE'93
14	64285-MN5-000	LOUVER, R. SIDE COWL
15	64286-MT2-000ZN	CAP, R. *R176C* - A/I'92'93
15	64286-MT2-000ZP	CAP, R. *PB240M* - A/I'92'93
15	64286-MT2-000ZJ	CAP, R. *NH1Z* - A/I'93
15	64286-MT2-000ZR	CAP, R. *B134M* - SE'92'93
15	64286-MT2-000ZS	CAP, R. *NH326P* - SE'93
15	64286-MT2-000ZT	CAP, R. *PB255P* - SE'93
16	64290-MN5-000ZM	COWL, L. *R176C* - A/I'92'93

Catalog Title:
GL1500A / GL1500SE / GL1500I '92 '93

Block No.
F 41

Block Title:
FAIRING

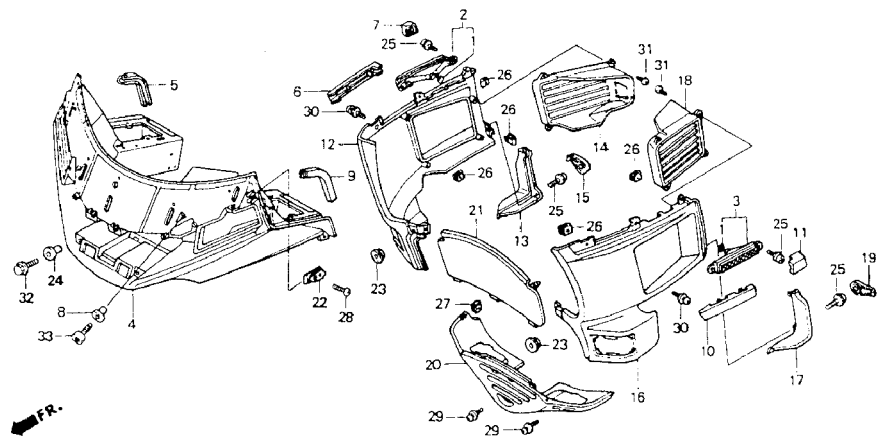


Ref. No.	Part No.	Description
16	64290-MN5-000ZN	COWL, L. *PB240M* - A/I'92'93
16	64290-MN5-000ZH	COWL, L. *NH1Z* - A/I'93
16	64290-MT8-770ZD	COWL, L. *B134M* - SE'92'93
16	64290-MT8-770ZF	COWL, L. *NH326P* - SE'93
16	64290-MT8-770ZG	COWL, L. *PB255P* - SE'93
17	64294-MN5-000ZN	DEFLECTOR *R176C* - A/I'92'93
17	64294-MN5-000ZP	DEFLECTOR *PB240M* - A/I'92'93
17	64294-MN5-000ZJ	DEFLECTOR, L. *NH1Z* - A/I'93
17	64294-MN5-000ZR	DEFLECTOR *B134M* - SE'92'93
17	64294-MN5-000ZQ	DEFLECTOR *NH326P* - SE'93
17	64294-MN5-000ZS	DEFLECTOR *PB255P* - SE'93
18	64295-MN5-000	LOUVER, L. SIDE COWL
19	64296-MT2-000ZN	CAP, L. *R176C* - A/I'92'93
19	64296-MT2-000ZP	CAP, L. *PB240M* - A/I'92'93
19	64296-MT2-000ZJ	CAP, L. *NH1Z* - A/I'93
19	64296-MT2-000ZR	CAP, L. *B134M* - SE'92 '93
19	64296-MT2-000ZS	CAP, L. *NH326P* - SE'93
19	64296-MT2-000ZT	CAP, L. *PB255P* - SE'93
20	64300-MN5-000ZL	COWL, FR. *NH132M* - A/I'92'93, SE'92
20	64300-MN5-000ZQ	COWL, FR. *B134M* - SE'93
20	64300-MN5-000ZR	COWL, FR. *PB255P* - SE'93
20	64300-MN5-000ZS	COWL, FR. *NH327M* - SE'93
21	64500-MN5-000ZN	PANEL, FR. *R176C* - A/I'92'93
21	64500-MN5-000ZP	PANEL, FR. *PB240M* - A/I'92'93

Catalog Title:
GL1500A / GL1500SE / GL1500I '92 '93

Block No.
F 41

Block Title:
FAIRING

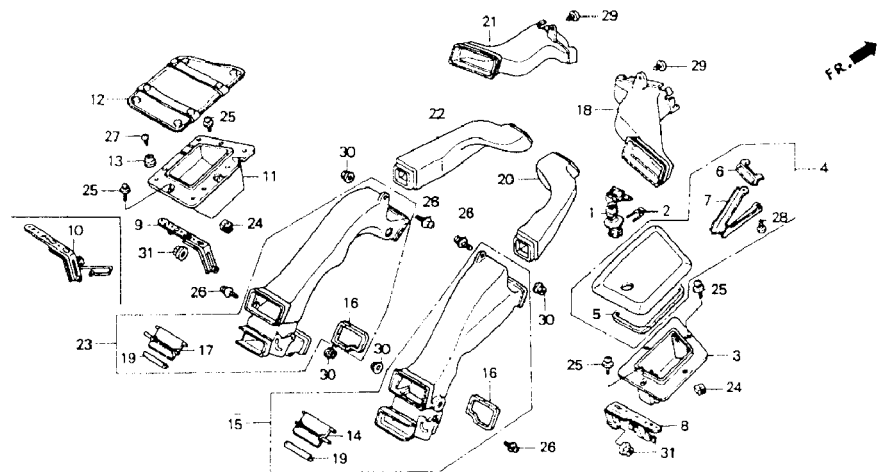


Ref. No.	Part No.	Description
21	64500-MN5-000ZJ	PANEL, FR. *NH1Z* - A/I'93
21	64500-MN5-000ZR	PANEL, FR. *B134M* - SE'92'93
21	64500-MN5-000ZQ	PANEL, FR. *NH326P* - SE'93
21	64500-MN5-000ZS	PANEL, FR. *PB255P* - SE'93
22	64529-MW5-870	NUT, PLATE (6MM) - I'92'93
23	83601-MN5-000	GROMMET, SIDE COVER
24	84706-GB0-900	COLLAR
25	90125-MT2-000	BOLT (5X16)
26	90305-MN5-000	NUT, PLATE (5MM)
27	90320-GE2-760	NUT, SPRING (5MM)
28	93500-04016-0A	SCREW, PAN (4X16) - I'92'93
29	93891-05014-07	SCREW-WASHER (5X14)
30	93894-05020-08	SCREW-WASHER (5X20)
31	93903-34380	SCREW, TAP (4X12)
32	95701-06016-08	BOLT, FLANGE (6X16)
33	96600-06018-07	BOLT, SOCKET (6X18)

Catalog Title:
GL1500A / GL1500SE / GL1500I '92 '93

Block No.
F 42

Block Title:
AIR DUCT



Ref. No.	Part No.	Description
1	37220-439-007	LOCK, FILLER LID
2	37222-463-000	SPRING
3	64220-MN5-000	POCKET, R.
4	64225-MN5-010ZA	CVR *NH159L* (TYPE1) - A/I'92
4	64225-MZ3-000ZA	CVR *NH159L* (TYPE1) - A/I'92'93, SE'93
4	64225-MN5-010ZE	CVR *B75L* (TYPE5) - SE'92
4	64225-MZ3-000ZC	CVR *B75L* (TYPE5) - SE'92'93
5	64227-MN5-000	RUBBER, R.
6	64228-MN5-000	PLATE, R.
7	64229-MN5-000	PLATE, SUPPORT
8	64234-MW5-000	PLATE, R. - '92
8	64234-MZ3-000	PLATE, R.
9	64235-MN5-010	PLATE, L. - A'92'93, SE'92
9	64235-MZ3-770	PLATE, L. - SE'93
10	64235-MY4-870	PLATE, L. - I'92'93
11	64250-MN5-000	POCKET, L.
12	64255-MN5-000ZA	CVR *NH159L* (TYPE1) - A/I '92'93, SE'93
12	64255-MN5-000ZF	COVER *B75L* (TYPE6) - SE'92'93
13	64259-MN5-000	HOOK, POCKET
14	64264-MN5-000	LID, R. AIR DUCT
15	64271-MN5-000	DUCT, R. (LOWER)
16	64273-MN5-300	SEAL, AIR DUCT LID
17	64274-MN5-000	LID, L. AIR DUCT
18	64275-MN5-000	DUCT, R. AIR (UPPER)
19	64276-MN5-300	SEAL, HOT AIR

Catalog Title:

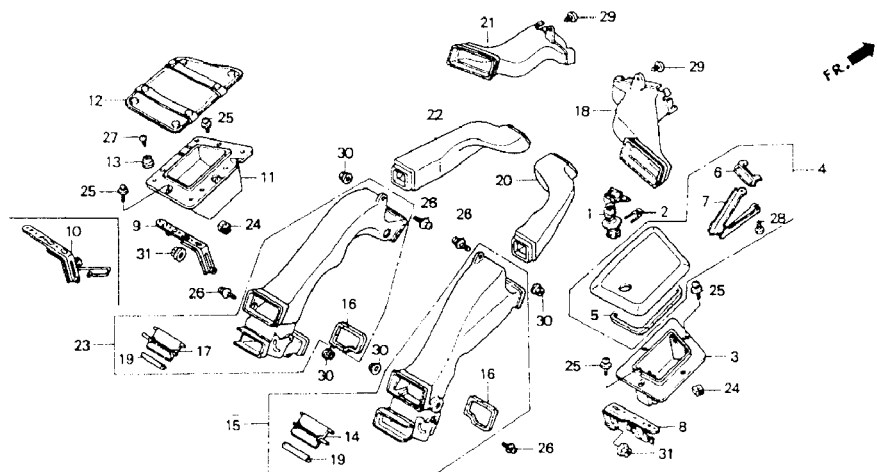
GL1500A / GL1500SE / GL1500I '92 '93

Block No.

F 42

Block Title:

AIR DUCT



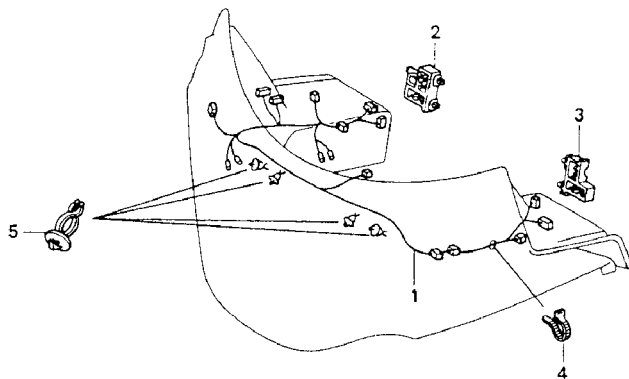
Ref. No.	Part No.	Description
20	64278-MN5-000	DUCT, R. AIR (LOWER)
21	64283-MN5-000	DUCT, L. AIR (UPPER)
22	64288-MN5-000	DUCT, L. AIR (LOWER)
23	64289-MN5-000	DUCT, L. (LOWER)
24	90305-MN5-000	NUT, PLATE (5MM)
25	93891-05020-07	SCREW-WASHER (5X20)
26	93894-04012-08	SCREW-WASHER (4X12)
27	93901-24280	SCREW, TAP (4X10)
28	93903-25280	SCREW, TAP (5X12)
29	93903-34220	SCREW, TAP (4X10)
30	94050-04080	NUT, FLANGE (4MM)
31	94050-06080	NUT, FLANGE (6MM)

Catalog Title:
GL1500A / GL1500SE / GL1500I '92 '93

Block No.
F 43

Block Title:
FAIRING SUB HARNESS

Ref. No.	Part No.	Description
1	32105-MY4-000	SUB-HARNESS, FAIRING - A/SE '92'93
1	32105-MY4-870	SUB-HARNESS, FAIRING - I'92'93
2	32120-MN5-003	HOLDER, R. CONNECTOR - '92
2	32120-MZ3-000	HOLDER, R. CONNECTOR - '93
3	32121-MN5-003	HOLDER, L. CONNECTOR - A/SE '92'93
4	35701-MG9-950	BAND - SE'92'93
5	90663-MN5-000	CLIP, WIRE



FR.

Catalog Title:

GL1500A / GL1500SE / GL1500I '92 '93

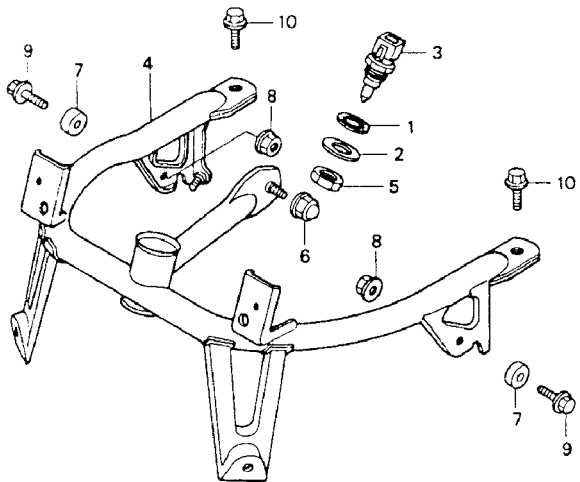
Block No.

F 44

Block Title:

COWL STAY

Ref. No.	Part No.	Description
1	17217-MG9-950	RUBBER
2	17219-MG9-950	COLLAR
3	36152-MY4-003	SENSOR
4	64510-MY4-000	STAY COMP., COWL
5	90308-MG9-950	NUT
6	90443-107-000	NUT, CAP (8MM)
7	90512-440-980	WASHER (6MM)
8	94050-06080	NUT, FLANGE (6MM)
9	95701-06016-08	BOLT, FLANGE (6X16)
10	95701-08016-08	BOLT, FLANGE (8X16)



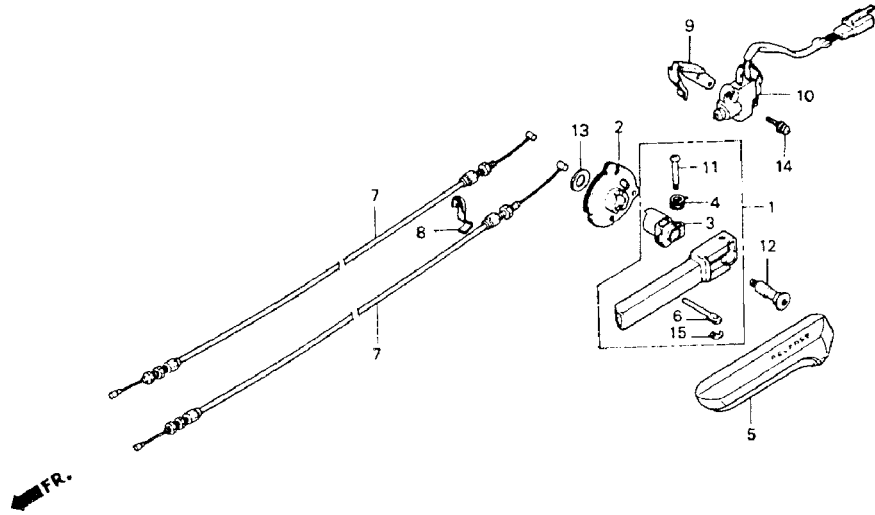
FR.

Catalog Title:
GL1500A / GL1500SE / GL1500I '92 '93

Block No.
F 45

Block Title:
REVERSE BAR (A/SE)

Ref. No.	Part No.	Description
1	24800-MT8-000	BAR ASSY., REVERSE
2	24802-MN5-000	DRUM COMP., REVERSE
3	24804-MN5-000	JOINT COMP., REVERSE
4	24806-MN5-000	SPRING
5	24807-MT8-000	GRIP, REVERSE
6	24808-MN5-000	PIN, REVERSE BAR
7	24810-MT2-000	CABLE COMP., REVERSE
8	24813-MN5-000	SPRING, REVERSE DRUM
9	24814-MN5-000	SPRING
10	35370-MN5-003	SWITCH ASSY.
11	90116-MN5-000	SCREW, REVERSE PIVOT
12	90118-MN5-000	BOLT, REVERSE JOINT
13	90453-444-000	WASHER (14MM)
14	93893-04012-08	SCREW-WASHER (4X12)
15	94540-03018	E-RING (3MM)



Catalog Title:

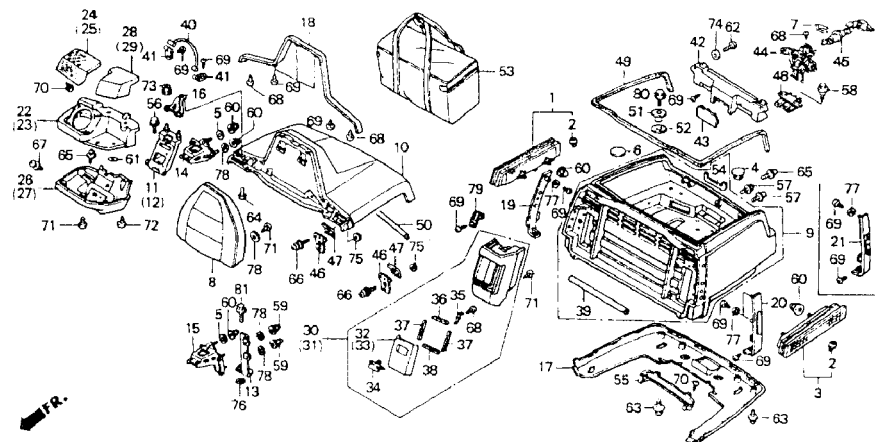
GL1500A / GL1500SE / GL1500I '92 '93

Block No.

F 46

Block Title:

TRUNK BOX

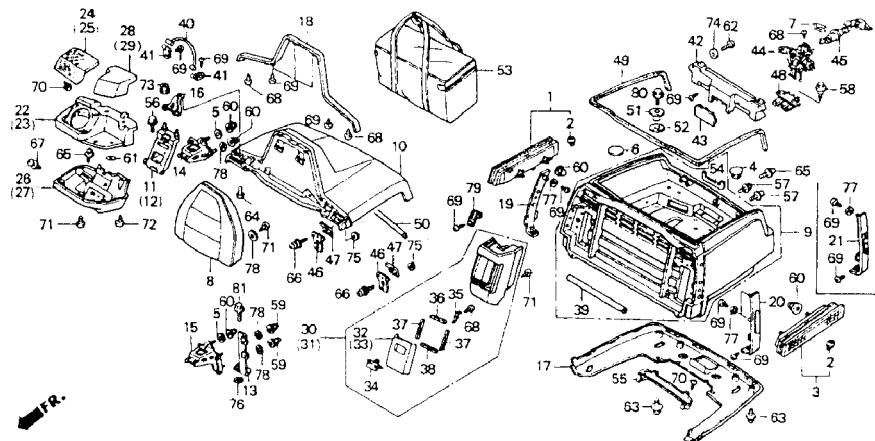


Ref. No.	Part No.	Description
1	33950-MN5-003	GARNISH, R. TRUNK
1	33950-MT2-004	GARNISH, R. TRUNK
2	33954-MN5-003	CAP A
3	33980-MN5-003	GARNISH, L. TRUNK
3	33980-MT2-004	GARNISH, L. TRUNK
4	50750-MB0-000	CAP, MAIN STAND PIPE
5	52427-KM4-003	WASHER, PLAIN
6	75826-634-300	SEAL (15MM) - '92
7	77235-469-000	SPRING
8	77500-MT8-000ZD	SEAT COMP. *NH159L* - A/I '92'93, SE'93
8	77500-MN5-000ZA	SEAT COMP. *NH159L* - I'93
8	77500-MT8-000ZB	SEAT *B75L* (TYPE6) - SE'92'93
9	80110-MN5-000ZN	BOX, TRUNK *R176C* - A/I'92'93
9	80110-MN5-000ZP	BOX, TRUNK *PB240M* - A/I'92'93
9	80110-MN5-000ZJ	BOX, TRUNK *NH1Z* - A/I'93
9	80110-MN5-000ZR	BOX, TRUNK *B134M* - SE'92
9	80110-MN5-000ZQ	BOX, TRUNK *NH326P* - SE'93
9	81100-MZ3-770ZE	BOX SET *B134M* - SE'93
9	81100-MZ3-770ZF	BOX SET *PB255P* - SE'93
9	81100-MZ3-770ZG	BOX SET *NH326P* - SE'93
10	81120-MN5-000ZK	LID, TRUNK *R176C* - A/I'92'93
10	81120-MN5-000ZL	LID, TRUNK *PB240M* - A/I'92'93
10	81120-MN5-000ZH	LID, TRUNK *NH1Z* - A/I'93
10	81120-MY4-770ZD	LID *B134M* (TYPE1) - SE'92
10	81120-MZ3-770ZA	LID, TRUNK *NH326P* - SE'93

Catalog Title:
GL1500A / GL1500SE / GL1500I '92 '93

Block No.
F 46

Block Title:
TRUNK BOX

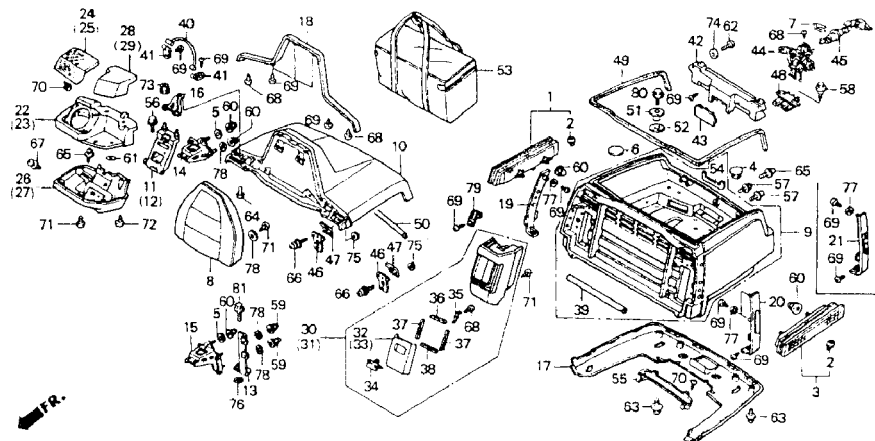


Ref. No.	Part No.	Description
10	81125-MZ3-770ZB	LID SET *B134M* - SE'93
10	81125-MZ3-770ZC	LID SET *PB255P* - SE'93
10	81125-MZ3-770ZD	LID SET *NH326P* - SE'93
11	81130-MN5-000	HINGE, R. TRUNK
12	81131-MN5-000	HINGE, L. TRUNK
13	81132-MZ3-770	PLATE - SE'93
14	81136-MN5-000	BRKT, R. TRUNK HINGE
15	81137-MN5-000	BRKT, L. TRUNK HINGE
16	81139-MN5-000	STIFFENER, TRUNK LID
17	81140-MN5-000ZN	COVER, TRUNK *R176C* - A/I'92'93
17	81140-MN5-000ZP	CVR, TRUNK *PB240M* - A/I'92'93
17	81140-MN5-000ZJ	COVER, TRUNK *NH1Z* - A/I '93
17	81140-MN5-000ZQ	COVER, TRUNK *B134M* - SE'92'93
17	81140-MN5-000ZR	COVER, TRUNK *B134M* - SE'92'93
17	81140-MN5-000ZS	CVR, TRUNK *NH326P* - SE'93
17	81140-MN5-000ZT	CVR, TRUNK *PB255P* - SE'93
18	81145-MAM-000	GARNISH, TRUNK LID
18	81145-MN5-000	GARNISH, TRUNK LID
19	81146-MN5-000	GARN, R. TRUNK SIDE
20	81147-MN5-000	GARN, L. TRUNK SIDE - A/I'92'93, SE'92
21	81147-MZ3-770	GARN, L. TRUNK SIDE - SE'93
22	81150-MN5-000ZA	CVR *NH159L* (TYPE1) - A/I'92'93, SE'93
22	81150-MN5-000ZE	COVER *B75L* (TYPE5) - SE'92'93
23	81151-MN5-000ZA	CVR *NH159L* (TYPE1) - A/I'92'93, SE'93
23	81151-MN5-000ZE	COVER *B75L* (TYPE5) - SE'92'93

Catalog Title:
GL1500A / GL1500SE / GL1500I '92 '93

Block No.
F 46

Block Title:
TRUNK BOX

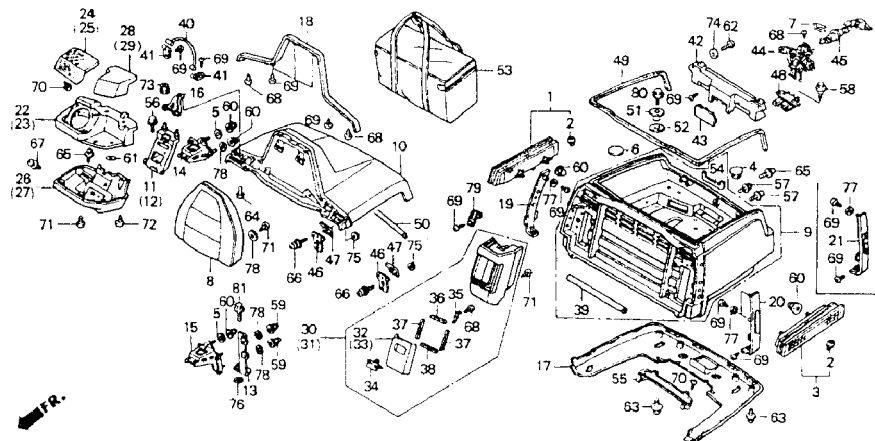


Ref. No.	Part No.	Description
24	81152-MN5-000ZA	COVER B, R. *NH159L* - A/I'92'93, SE'93
24	81152-MN5-000ZE	COVER B, R. *B75L* - SE'92'93
25	81153-MN5-000ZA	COVER B, L. *NH159L* - A/I'92'93, SE'93
25	81153-MN5-000ZE	COVER B, L. *B75L* - SE'92'93
26	81154-MN5-000ZA	BODY, R. *NH159L* - A/I'92'93, SE'93
26	81154-MN5-000ZE	BODY *B75L* (TYPE5) - SE'92'93
27	81156-MN5-000ZA	BODY, L. *NH159L* - A/I'92'93, SE'93
27	81156-MN5-000ZE	BODY *B75L* (TYPE5) - SE'92'93
28	81158-MN5-000ZA	CUSHION, R. *NH159L* - A/I'92'93, SE'93
28	81158-MN5-000ZE	CUSHION, R. *B75L* - SE'92'93
29	81159-MN5-000ZA	CUSHION, L. *NH159L* - A/I'92'93, SE'93
29	81159-MN5-000ZE	CUSHION, L. *B75L* - SE'92'93
30	81160-MN5-000ZA	POCKET, R. *NH159L* - A/I'92'93
30	81160-MN5-000ZG	POCKET *NH159L* - A/I'92'93
30	81160-MT8-770ZD	POCKET ASSY. *B75L* - SE'92'93
30	81160-MT8-770ZB	POCKET, R. *NH159L* - SE'93
31	81161-MN5-000ZA	POCKET, L. *NH159L* - A/I'92'93, SE'93
31	81161-MN5-000ZE	POCKET ASSY. *B75L* - SE'92'93
32	81164-MN5-000ZA	LID *NH159L* (TYPE1)- A/I'92'93, SE'93
32	81164-MN5-000ZE	LID *B75L* (TYPE5) - SE'92'93
33	81165-MN5-000ZA	LID *NH159L* (TYPE1)- A/I'92'93, SE'93
33	81165-MN5-000ZE	LID *B75L* (TYPE5) - SE'92'93
34	81166-MN5-000ZA	KNOB *NH159L* - A/I'92'93, SE'93
34	81166-MN5-000ZE	KNOB *B75L* (TYPE5) - SE'92'93
35	81169-MN5-000	SPRING, TRUNK POCKET

Catalog Title:
GL1500A / GL1500SE / GL1500I '92 '93

Block No.
F 46

Block Title:
TRUNK BOX

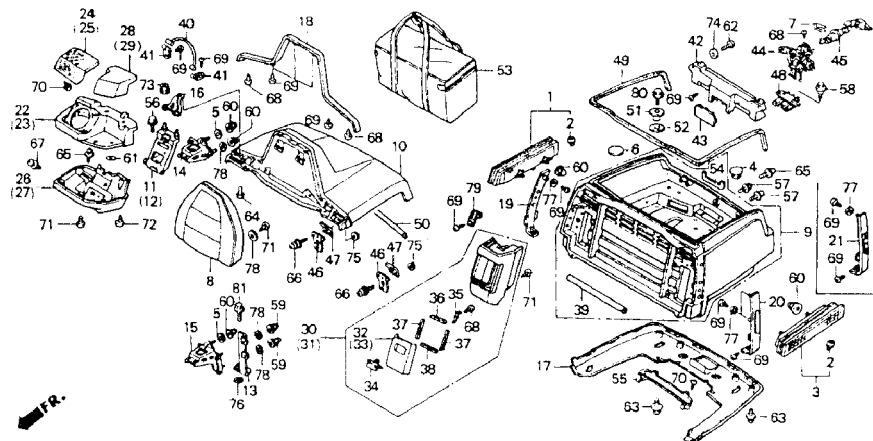


Ref. No.	Part No.	Description
36	81173-MN5-300	RUBBER
37	81174-MN5-300	RUBBER
38	81175-MN5-300	RUBBER
39	81241-MT2-000	RUBBER, SEAL
40	81250-MN5-000	STOPPER, TRUNK LID
41	81254-MN5-000	STAY B, LID STOPPER
42	81305-MT8-771	CATCH ASSY., TRUNK
43	81306-MN5-003	COVER, OPENER UNIT
44	81310-MAM-003	OPENER UNIT
44	81310-MN5-003	UNIT, OPENER
45	81312-MN5-000	LOCK, OPENER UNIT
46	81325-MN5-000	STRIKER, TRUNK
47	81329-MN5-000	PLATE
48	81335-MN5-003	LEVER ASSY.
49	81350-MN5-000	RUBBER, TRUNK SEAL
50	81351-MN5-000	RUBBER, TRUNK SEAL
51	81355-MN5-000	COLLAR
52	81356-MN5-000	RUBBER, BAG SETTING
53	81360-MN5-000ZA	BAG *B2L* (TYPE1) - A/SE '92'93
54	81361-MN5-300	RUBBER, TRUNK SEAL
55	84705-MT8-000	COVER, LICENSE LIGHT
56	90002-GC3-000	BOLT, FLANGE (5X10)
57	90104-964-000	SCREW, PAN (5X12)
58	90112-GC6-000	BOLT, FLANGE (6MM)
59	90167-SA0-980	NUT (5MM) - A/I'92'93, SE'92

Catalog Title:
GL1500A / GL1500SE / GL1500I '92 '93

Block No.
F 46

Block Title:
TRUNK BOX



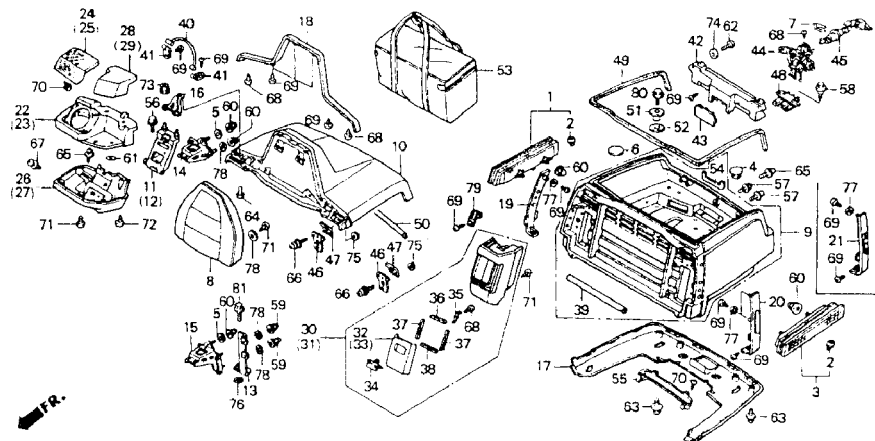
Ref. No.	Part No.	Description
59	90167-MN5-000	NUT, CAP (5MM) - SE'93
60	90167-SA0-980	NUT (5MM)
61	90301-GE0-000	NUT, CLIP
62	93500-05012-0G	SCREW, PAN (5X12)
63	93891-04012-07	SCREW-WASHER (4X12)
64	93893-05010-07	SCREW-WASHER (5X10)
65	93893-05012-07	SCREW-WASHER (5X12)
66	93893-05014-07	SCREW-WASHER (5X14)
67	93894-05012-07	SCREW-WASHER (5X12)
68	93903-24280	SCREW, TAP (4X10)
69	93903-24380	SCREW, TAP (4X12)
70	93903-24480	SCREW, TAP (4X16)
71	93903-25380	SCREW, TAP (5X16)
72	93903-25480	SCREW, TAP (5X20)
73	94050-05080	NUT, FLANGE (5MM)
74	94101-05700	WASHER, PLAIN (5MM)
75	94101-05700	WASHER, PLAIN (5MM) - '92
76	94101-06000	WASHER, PLAIN (6MM) - SE'93
76	94101-06080	WASHER, PLAIN (6MM) - SE'93
76	94101-06800	WASHER, PLAIN (6MM) - SE'93
77	94103-05700	WASHER, PLAIN (5MM)- A/I'92'93, SE'92
77	94103-05000	WASHER, PLAIN (5MM) - SE'93
78	94103-05700	WASHER, PLAIN (5MM)

Catalog Title:
GL1500A / GL1500SE / GL1500I '92 '93

Block No.
F 46

Block Title:
TRUNK BOX

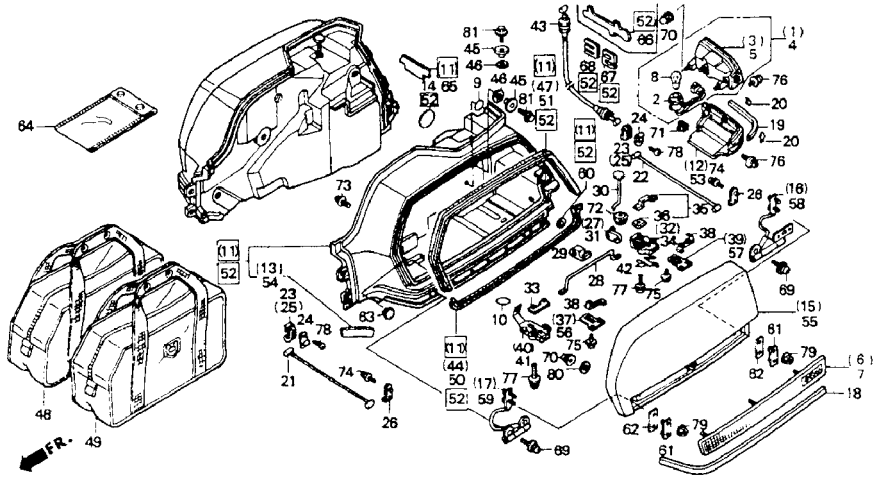
Ref. No.	Part No.	Description
79	94591-45000	CLIP, WIRE (4X50)
80	96001-06020-07	BOLT, FLANGE (6X20)
81	96001-06022-00	BOLT, FLANGE (6X22)



Catalog Title:
GL1500A / GL1500SE / GL1500I '92 '93

Block No.
F 47

Block Title:
SADDLEBAG

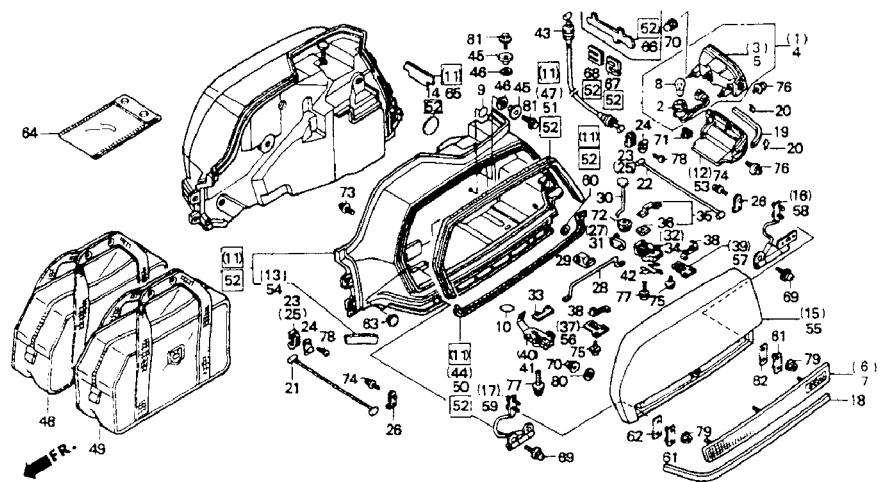


Ref. No.	Part No.	Description
1	33500-MAM-A82	TAILLIGHT SADDLE BAG
1	33500-MN5-003	LIGHT (12V 32/2CP)
2	33503-MN5-003	SOCKET, TAILLIGHT
3	33510-MAM-A82	HOUSING COMP., R.
3	33510-MN5-003	HOUSING COMP., R.
4	33550-MAM-A82	TAILLIGHT UNIT
4	33550-MN5-003	TAILLIGHT ASSY., L.
5	33560-MAM-A82	HOUSING COMP., L.
5	33560-MN5-003	HOUSING COMP., L.
6	33750-MN5-003	REFLECTOR, R.
7	33755-MN5-003	REFLECTOR, L.
8	34906-SA5-671	BULB
9	75826-605-300	SEAL (30MM)
9	91619-SE0-000	SEAL (30MM)
10	75826-634-300	SEAL (15MM) A/I/SE '93, I '93
10	75826-634-300	SEAL (15MM) - A/SE'93
11	81210-MW5-670ZC	SADDLEBAG *R176C* - A'92'93
11	81210-MW5-670ZD	SADDLEBAG *PB240M - A'92 '93
11	81210-MW5-670ZA	SADDLEBAG, R. *NH1Z* - A93
11	81210-MW5-870ZB	SADDLEBAG *R176C* - I'92'93
11	81210-MW5-870ZC	SADDLEBAG *PB240M* - I'92'93
11	81210-MW5-870ZD	SADDLEBAG, R. *NH1Z* - I'93
11	81210-MY4-770ZD	SADDLEBAG *B134M* - SE'92
11	81210-MZ3-770ZA	SADDLEBAG *NH326P* - SE'93
11	81224-MZ3-770ZF	SDBG, R. *B134M* - SE'93

Catalog Title:
GL1500A / GL1500SE / GL1500I '92 '93

Block No.
F 47

Block Title:
SADDLEBAG

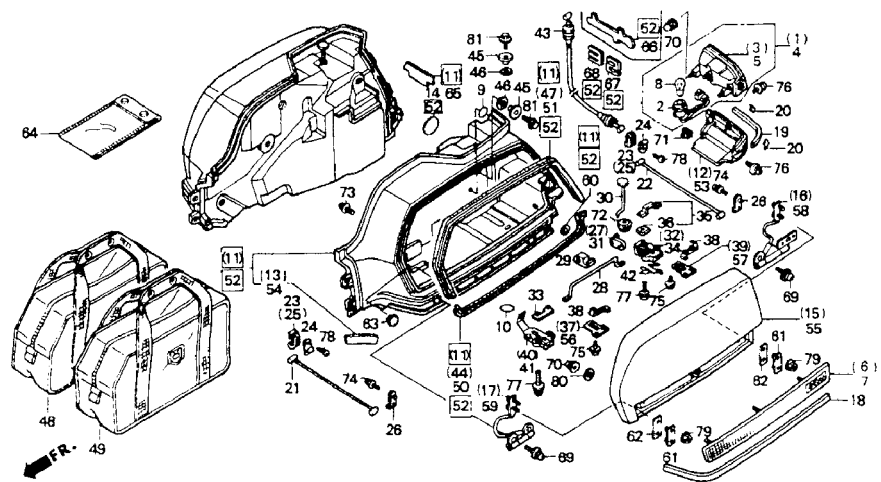


Ref. No.	Part No.	Description
11	81224-MZ3-770ZG	SDLBG, R. *PB255P* - SE'93
11	81224-MZ3-770ZH	SDLBG, R. *NH326P* - SE'93
12	81214-MN5-000ZN	COVER, R. *PB240M* - A/I '92'93
12	81214-MN5-000ZP	COVER, R. *R176C* - A/I '92'93
12	81214-MN5-000ZJ	COVER, R. *NH1Z* - A/I '93
12	81214-MN5-000ZR	COVER, R. *B134M* - SE'92'93
12	81214-MN5-000ZQ	COVER, R. *NH326P* - SE'93
12	81214-MN5-000ZS	COVER, R. *PB255P* - SE'93
13	81215-MN5-300	TAPE, R. SADDLEBAG
14	81217-MT2-300	SEAL, SADDLEBAG HOLE
15	81220-MT8-000ZG	LID, R. *R176C* - A/I '92'93
15	81220-MT8-000ZH	LID, R. *PB240M - A/I '92'93
15	81220-MT8-000ZD	LID COMP., R. *NH1Z* - A/I '93
15	81220-MY4-770ZD	LID *B134M* (TYPE1) - SE'92
15	81220-MT8-770ZH	LID, R. *NH326P* - SE'93
15	81225-MZ3-770ZF	LID SET, R. *B134M* - SE'93
15	81225-MZ3-770ZG	LID SET, R. *PB255P* - SE'93
15	81225-MZ3-770ZH	LID SET, R. *NH326P* - SE'93
16	81230-MN5-010	HINGE COMP., R. RR.
17	81235-MN5-010	HINGE COMP., R. FR.
18	81240-MN5-000	MOLDING, SADDLEBAG
19	81242-MN5-000	MOLDING (LOWER)
20	81247-MN5-000	CLIP, MOLDING
21	81251-MN5-000	STOPPER, FR.
22	81252-MN5-000	STOPPER, RR.

Catalog Title:
GL1500A / GL1500SE / GL1500I '92 '93

Block No.
F 47

Block Title:
SADDLEBAG

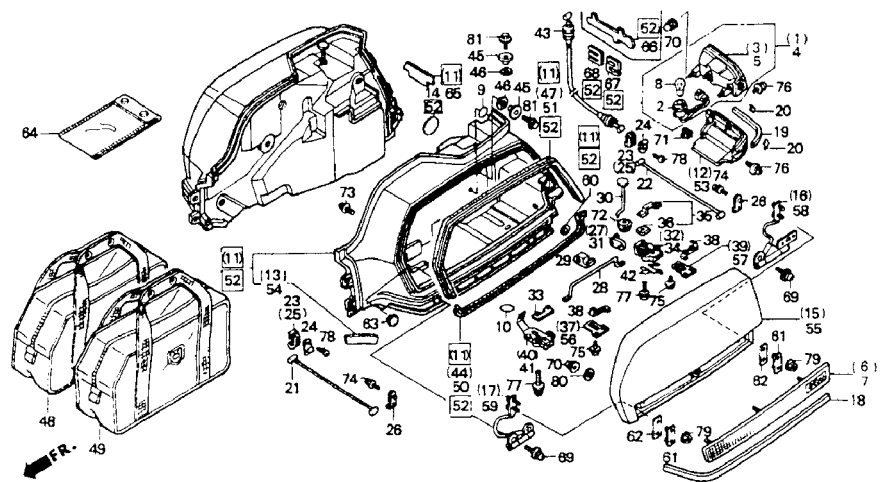


Ref. No.	Part No.	Description
23	81253-MN5-000	STAY, L. LID STOPPER
24	81255-MN5-000	GUIDE, CABLE STOPPER
25	81256-MN5-000	STAY, R. LID STOPPER
26	81257-MT2-000	STAY C, LID STOPPER
27	81309-MN5-003	PLATE, R. - '92
27	81309-MZ3-003	PLATE, R.
28	81316-MN5-003	ROD
29	81317-MN5-003	SNAP, OPENER ROD
30	81318-MN5-003	ROD, EMERGENCY PUSH
31	81319-MN5-003	PLATE, L. - '92
31	81319-MZ3-003	PLATE, L.
32	81320-MT8-003	CATCH, R. RR.
33	81321-MN5-000	PLATE A
34	81322-MT8-003	CATCH, L. RR.
35	81323-MN5-010	PLATE
36	81324-MN5-300	GASKET, PLATE
37	81326-MN5-010	STRIKER, R. FR.
38	81327-MN5-000	PLATE
39	81328-MN5-000	STRIKER, R. RR.
40	81331-MT8-003	CATCH, R. FR.
41	81332-MT8-003	CATCH, L. FR.
42	81333-MN5-000	SPRING
43	81345-MN5-000	CABLE A
44	81352-MT8-010	RUBBER, R.
45	81355-MN5-000	COLLAR

Catalog Title:
GL1500A / GL1500SE / GL1500I '92 '93

Block No.
F 47

Block Title:
SADDLEBAG

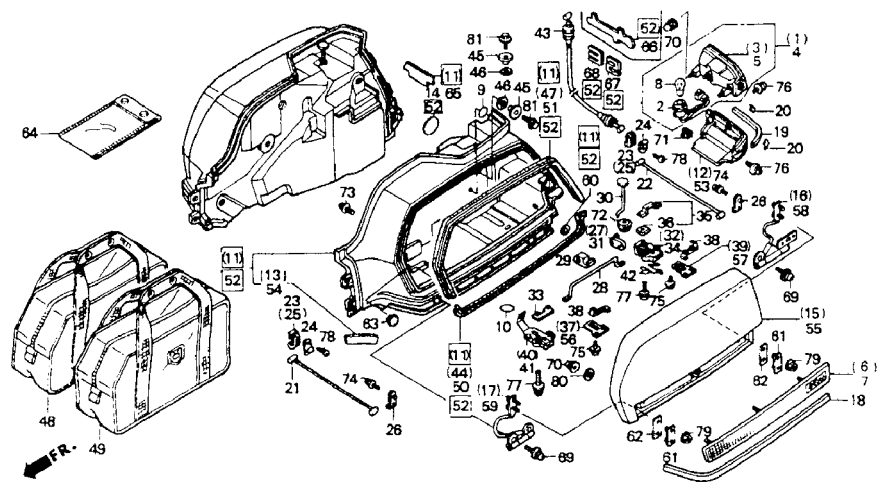


Ref. No.	Part No.	Description
46	81356-MN5-000	RUBBER, BAG SETTING
47	81357-MT8-010	RUBBER, R.
48	81362-MN5-000ZA	BAG *B2L* (TYPE1) - A/SE'92'93
49	81364-MN5-000ZA	BAG *B2L* (TYPE1) - A/SE'92'93
50	81382-MT8-010	RUBBER, L.
51	81387-MT8-010	
52	81410-MW5-670ZC	SADDLEBAG *R176C* - A'92'93
52	81410-MW5-670ZD	SADDLEBAG *PB240M* - A'92'93
52	81410-MW5-670ZA	SADDLEBAG, L. *NH1Z* - A'93
52	81410-MW5-870ZB	SADDLEBAG *R176C* - I'92'93
52	81410-MW5-870ZC	SADDLEBAG *PB240M - I'92'93
52	81410-MW5-870ZD	SADDLEBAG, L. *NH1Z* - I'93
52	81410-MY4-770ZD	SADDLEBAG *B134M* - SE'92
52	81410-MZ3-770ZA	SADDLEBAG *NH326P - SE'93
52	81424-MZ3-770ZF	SDLBG, L. *B134N* - SE'93
52	81424-MZ3-770ZG	SDLBG, L. *PB255P* - SE'93
52	81424-MZ3-770ZH	SDLBG, L. *NH326P* - SE'93
53	81414-MN5-000ZN	COVER, L. *PB240M* - A/I '92'93
53	81414-MN5-000ZP	COVER, L. *R176C* - A/I '92'93
53	81414-MN5-000ZJ	COVER, L. *NH1Z* - A/I '93
53	81414-MN5-000ZR	COVER, L. *B134M* - SE'92'93
53	81414-MN5-000ZQ	COVER, L. *NH326P* - SE'93
53	81414-MN5-000ZS	COVER, L. *PB255P* - SE'93
54	81415-MN5-300	TAPE, L. SADDLEBAG
55	81420-MT8-000ZG	LID, L. *R176C* - A/I '92'93

Catalog Title:
GL1500A / GL1500SE / GL1500I '92 '93

Block No.
F 47

Block Title:
SADDLEBAG

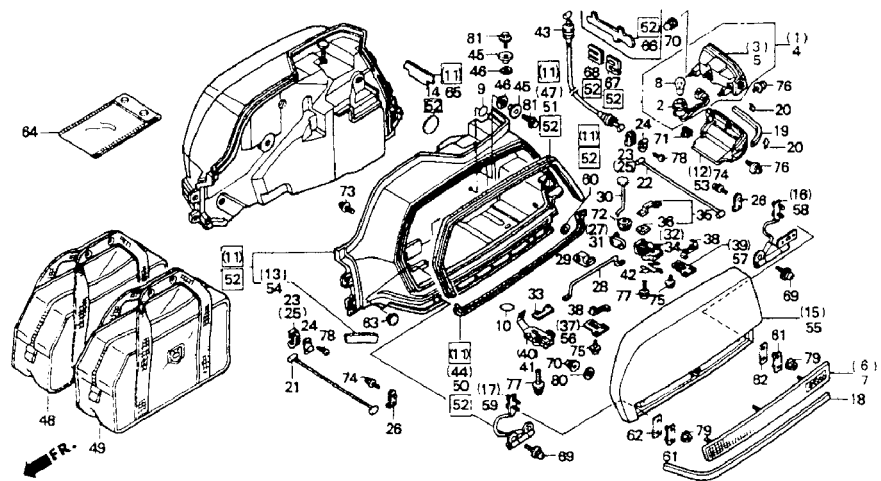


Ref. No.	Part No.	Description
55	81420-MT8-000ZH	LID, L. *PB240M* - A/I '92'93
55	81420-MT8-000ZD	LID COMP., L. *NH1Z* - A/I '93
55	81420-MY4-770ZD	LID *B134M* (TYPE1) - SE'92
55	81420-MT8-770ZH	LID, L. *NH326P* - SE'93
55	81425-MZ3-770ZD	LID SET, L. *B134M* - SE'93
55	81425-MZ3-770ZF	LID SET, L. *PB255P* - SE'93
55	81425-MZ3-770ZG	LID SET, L. *NH326P* - SE'93
56	81426-MN5-000	STRIKER, L. FR.
57	81428-MN5-000	STRIKER, L. RR.
58	81430-MN5-010	HINGE COMP., L. RR.
59	81435-MN5-010	HINGE COMP., L. FR.
60	81437-MN5-300	RUBBER, HINGE SEAL
61	81438-MN5-000	WASHER
62	81439-MN5-000	RUBBER, HINGE SEAL
63	82871-671-000	GROMMET (25MM)
64	83642-MN5-000	BAG, OWNER'S MANUAL
65	87111-MG9-700	EMBLEM, SADDLEBAG - A/I '92'93
65	87111-MY4-770	EMBLEM, R. RR. - SE'92
65	87111-MY4-770ZA	EMBLEM, R. (TYPE1) - SE'92
65	87111-MZ3-770ZA	EMBLEM, R. (TYPE3) - SE'93
65	87111-MZ3-770ZB	EMBLEM, R. (TYPE4) - SE'93
65	87111-MZ3-770ZC	EMBLEM, R. (TYPE5) - SE'93
65	87111-MZ3-770ZD	EMBLEM, R. (TYPE6) - SE'93
66	87121-MW5-670	EMBLEM, L. RR. - A'92'93
66	87121-MW5-870	EMBLEM, L. RR. - I'92'93

Catalog Title:
GL1500A / GL1500SE / GL1500I '92 '93

Block No.
F 47

Block Title:
SADDLEBAG

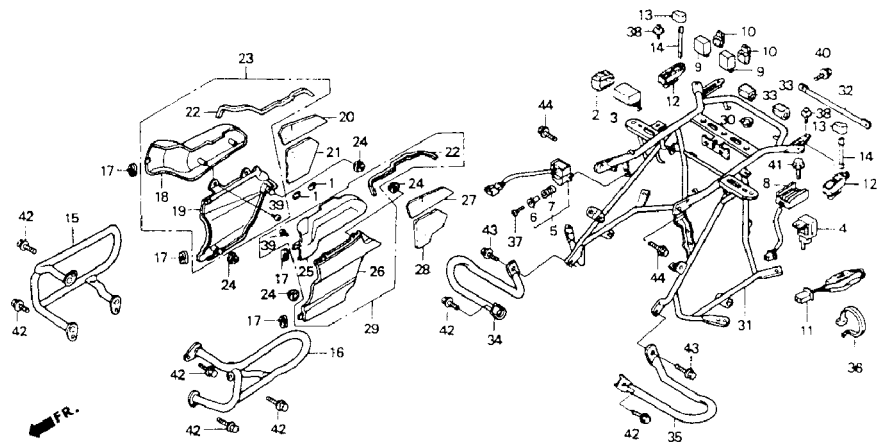


Ref. No.	Part No.	Description
67	87122-MT8-770	EMBLEM, L. RR. - SE'92'93
68	87123-MT8-770	EMBLEM, L. RR. - SE'92'93
69	90103-GB6-930	SCREW
70	90167-SAO-980	NUT (5MM)
71	90305-MN5-000	NUT, PLATE (5MM)
72	90801-MN5-010	GROMMET
73	93891-05012-0A	SCREW-WASHER (5X12)
73	93891-05012-00	SCREW-WASHER (5X12)
74	93893-04012-07	SCREW-WASHER (4X12)
75	93893-05016-07	SCREW-WASHER (5X16)
76	93893-05020-07	SCREW-WASHER (5X20)
77	93893-05025-07	SCREW-WASHER (5X25)
78	93903-24380	SCREW, TAP (4X12)
79	94050-05080	NUT, FLANGE (5MM)
80	94103-05700	WASHER, PLAIN (5MM)
81	96001-06020-07	BOLT, FLANGE (6X20)

Catalog Title:
GL1500A / GL1500SE / GL1500I '92 '93

Block No.
F 48

Block Title:
ENGINE GUARD

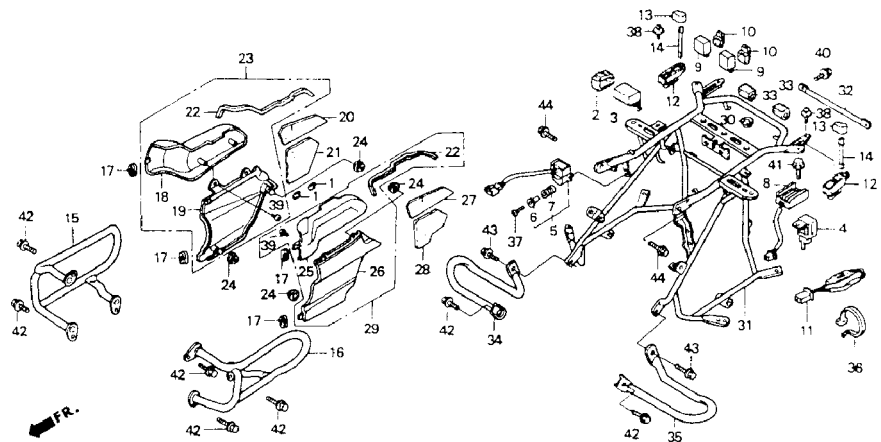


Ref. No.	Part No.	Description
1	17507-MN5-000	RUBBER
2	30401-KF0-000	CUSHION - A/SE'92'93
3	31710-MT8-003	DIODE COMP., REVERSE - A/SE'92'93
4	34210-MT8-771	CONTROL UNIT - SE'92'93
5	35160-MAF-003	SENSOR ASSY., KILL
5	35160-MT8-003	SENSOR ASSY., KILL
6	35162-MN5-003	COLLAR
7	35163-MN5-003	GROMMET
8	35880-MN5-000	REGULATOR COMP. A/SE'92'93
9	38301-MG9-672	FLASHER, COMBINATION
9	38301-MG9-681	RELAY, TURN SIGNAL
10	38306-GE7-000	SUSPENSION
11	39260-MZ3-770	FILTER, AIR PUMP - SE'93
12	50710-MN5-000	HOLDER ASSY., HELMET
13	50712-MN5-000	KNOB, HELMET HOLDER
14	50713-MN5-000	ROD, HELMET HOLDER
15	62501-MN5-000	GUARD, R. ENGINE
16	62601-MN5-000	GUARD, L. ENGINE
17	83124-MN5-000	RUBBER
18	83511-MY4-000ZA	CVR *MRCR2* (TYPE10)
19	83512-MN5-000ZM	COVER, R. *NH132M* - A/I'92'93, SE'92
19	83512-MN5-000ZP	CVR *B134M* (TYPE13) - SE'93

Catalog Title:
GL1500A / GL1500SE / GL1500I '92 '93

Block No.
F 48

Block Title:
ENGINE GUARD



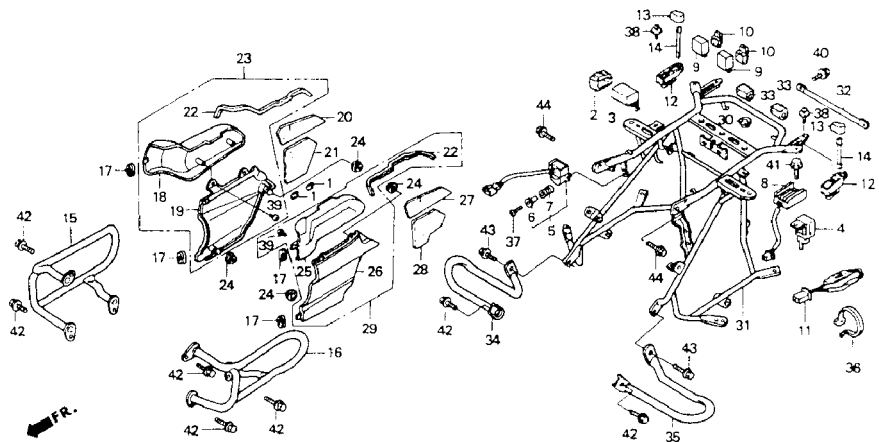
Ref. No.	Part No.	Description
19	83512-MN5-000ZQ	COVER, R. *PB255P* - SE'93
19	83512-MN5-000ZR	COVER, R. *NH327M* - SE'93
20	83513-MN5-300	MAT, R. (UPPER) - A/SE'92'93
21	83514-MN5-300	MAT, R. (LOWER) - A/SE'92'93
22	83515-MN5-300	SEAL
23	83520-MY4-000ZA	COVER ASSY. *NH132M - A/I'92'93, SE'92
23	83520-MY4-000ZC	CVR *B134M* (TYPE13) - SE'93
23	83520-MY4-000ZD	COVER ASSY. *PB255P* - SE'93
23	83520-MY4-000ZE	COVER ASSY. *NH327M* - SE'93
24	83551-300-000	GROMMET, A/CLNR HSG
25	83561-MY4-000ZA	CVR *MRCR2* (TYPE10)
26	83562-MN5-000ZL	COVER, L. *NH132M* - A/I'92'93, SE'92
26	83562-MN5-000ZN	CVR *B134M* (TYPE13) - SE'93
26	83562-MN5-000ZP	COVER, L. *PB255P* - SE'93
26	83562-MN5-000ZQ	COVER, L. *NH327M* - SE'93
27	83563-MAM-300	MAT, L. (UPPER) - A/SE'92'93
27	83563-MN5-300	MAT, L. (UPPER)- A/SE'92'93
28	83564-MN5-300	MAT, L. (LOWER)- A/SE'92'93
29	83570-MY4-000ZA	COVER ASSY. *NH132M* - A/I'92'93, SE'92
29	83570-MY4-000ZC	CVR *B134M* (TYPE13) - SE'93
29	83570-MY4-000ZD	CVR *PB255* (TYPE14) - SE'93
29	83570-MY4-000ZE	COVER ASSY. *NH327M* - SE'93
30	83618-323-000	RUBBER, BATTERY BOX
31	84100-MN5-000	STAY, SADDLEBAG
31	84100-MW5-870	STAY, LUGGAGE BAG - I'92'93

Catalog Title:
GL1500A / GL1500SE / GL1500I '92 '93

Block No.
F 48

Block Title:
ENGINE GUARD

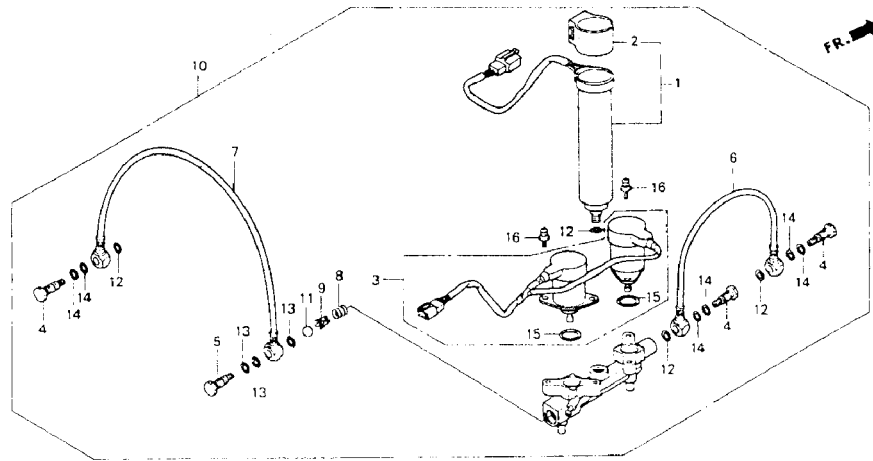
Ref. No.	Part No.	Description
32	84102-MN5-000	JOINT, RR. FRAME END
33	84103-MN5-000	CUSHION, RR. TRUNK
34	84130-MN5-000	GUIDE, R. SADDLEBAG
35	84140-MN5-000	GUIDE, L. SADDLEBAG
36	90650-MA6-720	BAND, WIRE HARNESS - SE'93
37	93500-04020-0H	SCREW, PAN (4X20)
38	93893-06012-07	SCREW-WASHER (6X12)
39	93903-25280	SCREW, TAP (5X12)
40	95701-06010-08	BOLT, FLANGE (6X10)
41	95701-06012-08	BOLT, FLANGE (6X12) - A/SE'92
41	95701-06014-08	BOLT, FLANGE (6X14) - A/SE'93
42	95701-08016-08	BOLT, FLANGE (8X16)
43	95701-08020-08	BOLT, FLANGE (8X20)
44	95701-10025-08	BOLT, FLANGE (10X25)



Catalog Title:
GL1500A / GL1500SE / GL1500I '92 '93

Block No.
F 49

Block Title:
AIR DISTRIBUTOR - A/SE '92'93

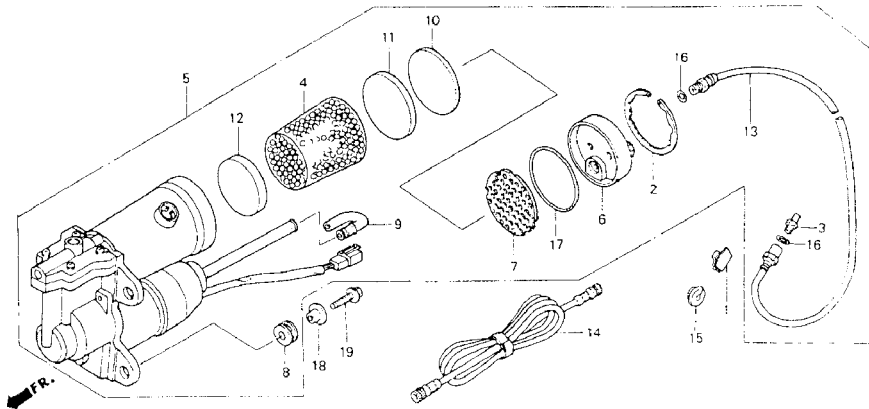


Ref. No.	Part No.	Description
1	35660-MN5-000	SENSOR, AIR PRESSURE
2	35665-MB9-950	SETTING, AIR SENSOR
3	38500-MN5-000	VALVE, LEVELING
4	52628-MG9-871	BOLT, AIR HOSE
5	52628-MG9-951	BOLT, AIR HOSE
6	52650-MN5-003	HOSE COMP., AIR
7	52660-MN5-003	HOSE COMP., AIR
8	52723-MB9-870	SPRING, VALVE
9	52726-MB9-871	WASHER, CAP
10	52730-MN5-003	DISTRIBUTOR, AIR
11	90211-MB9-870	BALL, STEEL (10)
12	91301-469-003	O-RING (5.8X1.9)
12	91305-323-000	O-RING (5.8X1.9)
12	91318-ME5-003	O-RING (5.6X1.9)
13	91301-PC9-003	O-RING (7.7X2.3)
13	91308-283-000	O-RING (7.8X2.2)
14	91351-671-004	O-RING (7MM)
15	91357-MG9-951	O-RING
16	93893-05012-08	SCREW-WASHER (5X12)

Catalog Title:
GL1500A / GL1500SE / GL1500I '92 '93

Block No.
F 50

Block Title:
AIR PUMP (A/SE)



Ref. No.	Part No.	Description
1	32911-MG9-950	CLAMP, CABLE
2	51447-461-003	CIRCLIP (50MM)
3	51456-469-013	VALVE COMP., AIR
4	527A2-MN5-003	DESICCANT
5	52700-MN5-003	PUMP ASSY., AIR
6	52712-MN5-003	COVER COMP., DRIER
7	52713-MN5-003	RETAINER
8	52714-MN5-003	GROMMET
9	52715-MN5-003	END, PIECE
10	52716-MN5-003	FILTER
11	52717-MN5-003	FILTER
12	52718-MN5-003	FILTER
13	52740-MN5-003	HOSE ASSY., AIR
14	52817-MG9-871	HOSE, AIR SUPPLY
15	81213-MN5-000	GROMMET, SADDLE HOLE
16	91301-469-003	O-RING (5.8X1.9)
16	91305-323-000	O-RING (5.8X1.9)
16	91318-ME5-003	O-RING (5.6X1.9)
17	91351-MN5-003	O-RING (49.5X2)
18	91551-723-650	COLLAR, DISTANCE
19	95701-06018-08	BOLT, FLANGE (6X18)
19	95801-06018-08	BOLT, FLANGE (6X18)
20	38752-MN5-003	FILTER, AIR PUMP

Catalog Title:

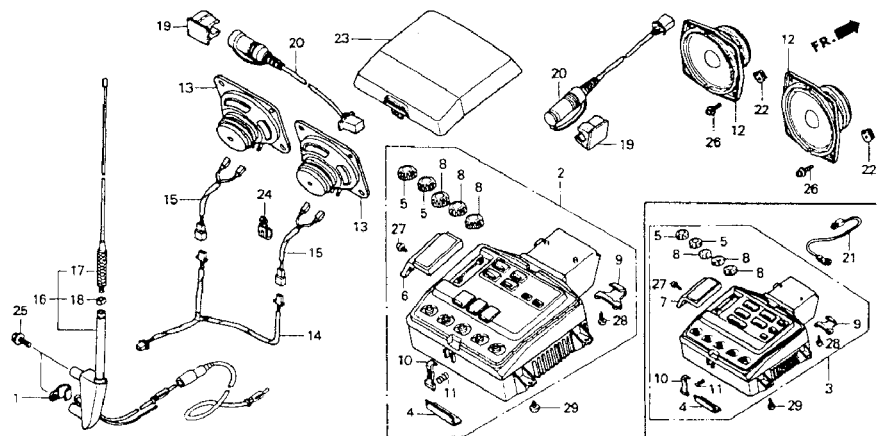
GL1500A / GL1500SE / GL1500I '92 '93

Block No.

F 51

Block Title:

RADIO CASSETTE (A/SE)



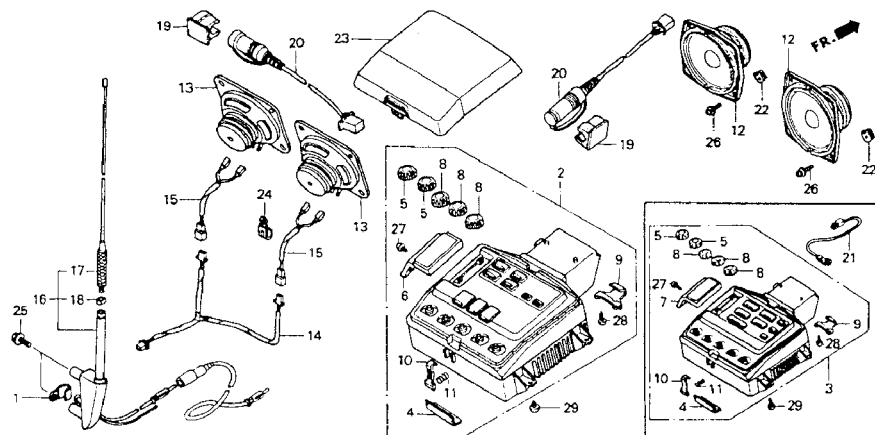
Ref. No.	Part No.	Description
1	32111-426-000	CLAMP, CABLE - A'92'93, SE'92
1	32111-460-780	CLAMP - A'92'93, SE'92
2	39100-MN5-010	CASSETTE, RADIO - A'92'93
2	39100-MN5-020	CASSETTE, RADIO - A'92'93
3	39100-MT8-770	CASSETTE, RADIO - SE'92
3	39100-MT8-771	CASSETTE, RADIO - SE'92'93
4	39109-MN5-000	RUBBER
5	39111-MN5-003	KNOB, RADIO
6	39112-MN5-003	LID, CASSETTE - A'92'93
7	39112-MT8-771	LID, CASSETTE - SE'92'93
8	39116-MN5-003	KNOB, RADIO
9	39117-MN5-000	PLATE, COVER STOPPER
10	39118-MN5-023	LEVER, COVER LOCK
11	39119-MN5-003	SPRING, LEVER
12	39130-MT2-003	SPEAKER UNIT
13	39135-MZ3-771	SPEAKER UNIT - SE'93
14	39148-MZ3-770	SUB-WIRE, RR. - SE'93
15	39149-MZ3-770	SUB-WIRE, SPEAKER -SE'93
16	39150-MAF-000	ANTENNA ASSY., RADIO
16	39150-MAM-003	ANTENNA ASSY., RADIO
16	39150-MY4-000	ANTENNA ASSY., RADIO
17	39151-MAF-000	ELEMENT, ANTENNA
17	39151-MY4-000	ELEMENT, ANTENNA
18	39153-MN5-003	NUT, ANTENNA
19	39242-MN5-000	HOLDER, CONNECTOR

Catalog Title:
GL1500A / GL1500SE / GL1500I '92 '93

Block No.
F 51

Block Title:
RADIO CASSETTE (A/SE)

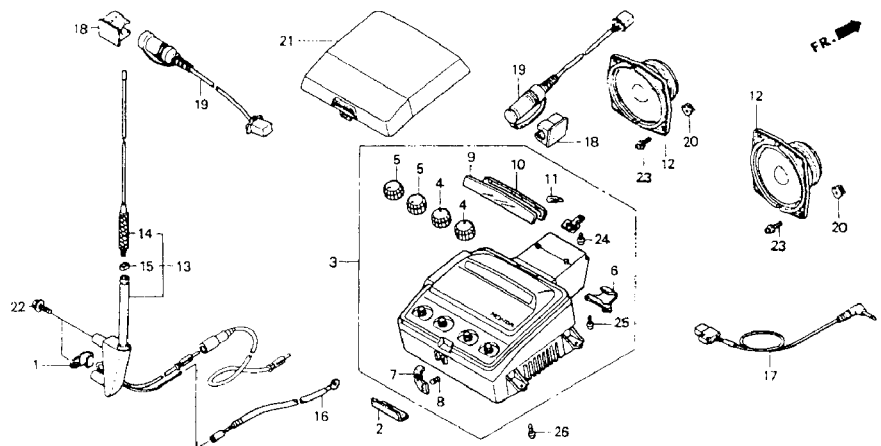
Ref. No.	Part No.	Description
20	39245-MT2-010	LEAD
21	39255-MZ3-770	SUB-WIRE, CB GROUND -SE'93
22	64521-MN5-000	NUT, CLIP (4MM)
23	83170-MN5-000ZA	CVR *NH159L* (TYPE1) - A/92'93, SE'93
23	83170-MN5-000ZE	COVER *B75L* (TYPE5) -SE'92'93
24	90601-KJ9-000	CLIP (4X50) -SE'93
25	93411-06016-08	BOLT-WASHER (6X16)
26	93891-04012-08	SCREW-WASHER (4X12)
27	93901-22220	SCREW, TAP (3X10)
28	93901-22320	SCREW, TAP (3X12)
29	93903-25220	SCREW, TAP (5X12)



Catalog Title:
GL1500A / GL1500SE / GL1500I '92 '93

Block No.
F 5101

Block Title:
RADIO (I)



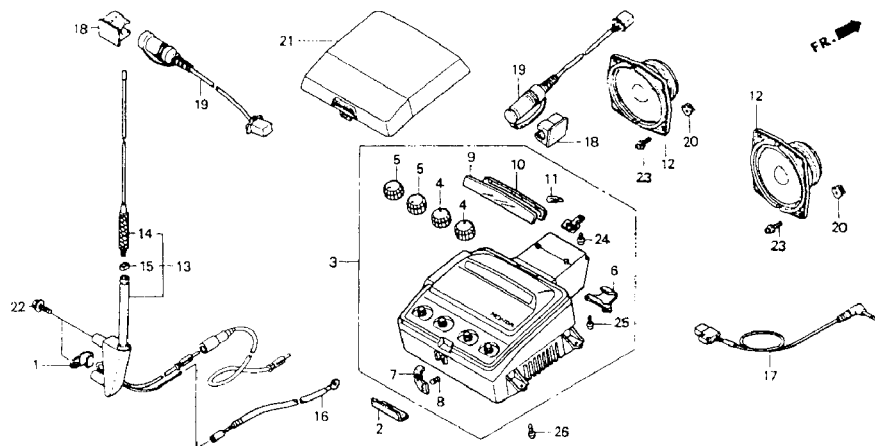
Ref. No.	Part No.	Description
1	32111-426-000	CLAMP, CABLE
1	32111-460-780	CLAMP
2	39109-MN5-000	RUBBER
3	39100-MY4-871	RADIO ASSY.
3	39110-MY4-871	RADIO COMP. (NA USE ALT:39100-
4	39111-MN5-003	KNOB, RADIO
5	39116-MN5-003	KNOB, RADIO
6	39117-MN5-000	PLATE, COVER STOPPER
7	39118-MN5-023	LEVER, COVER LOCK
8	39119-MN5-003	SPRING, LEVER
9	39121-MY4-871	LENS
10	39122-MY4-871	SPONGE
11	39123-MY4-871	BULB COMP.
12	39130-MT2-003	SPEAKER UNIT
13	39150-MAF-000	ANTENNA ASSY., RADIO
13	39150-MAM-003	ANTENNA ASSY., RADIO
13	39150-MY4-000	ANTENNA ASSY., RADIO
14	39151-MAF-000	ELEMENT, ANTENNA
14	39151-MY4-000	ELEMENT, ANTENNA
15	39153-MN5-003	NUT, ANTENNA
16	39155-MW5-870	SUB-WIRE
17	39170-MY4-870	SUB-WIRE, AUXILIARY
18	39242-MN5-000	HOLDER, CONNECTOR
19	39245-MT2-010	LEAD
20	64521-MN5-000	NUT, CLIP (4MM)

Catalog Title:
GL1500A / GL1500SE / GL1500I '92 '93

Block No.
F 5101

Block Title:
RADIO (I)

Ref. No.	Part No.	Description
21	83170-MN5-000ZA	CVR *NH159L* (TYPE1)
22	93411-06016-08	BOLT-WASHER (6X16)
23	93891-04012-08	SCREW-WASHER (4X12)
24	93901-22120	SCREW, TAPPING (3X8)
25	93901-22320	SCREW, TAP (3X12)
26	93903-25220	SCREW, TAP (5X12)

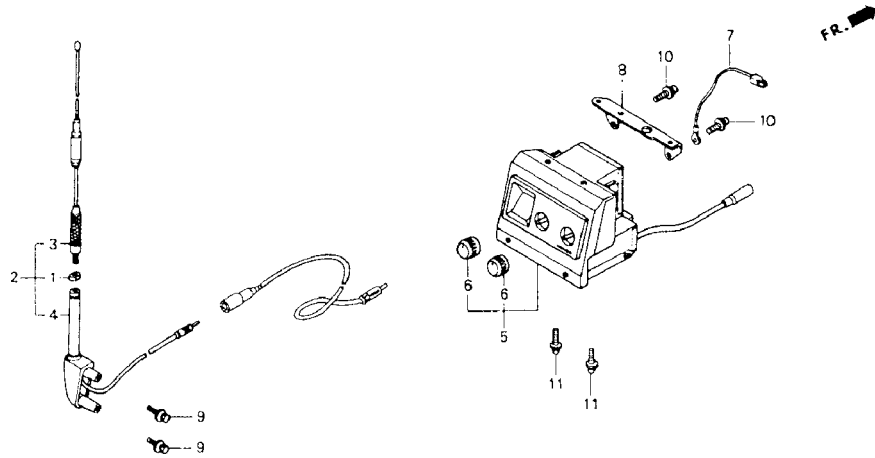


Catalog Title:
GL1500A / GL1500SE / GL1500I '92 '93

Block No.
F 5102

Block Title:
CB TRANSCEIVER (SE) '93

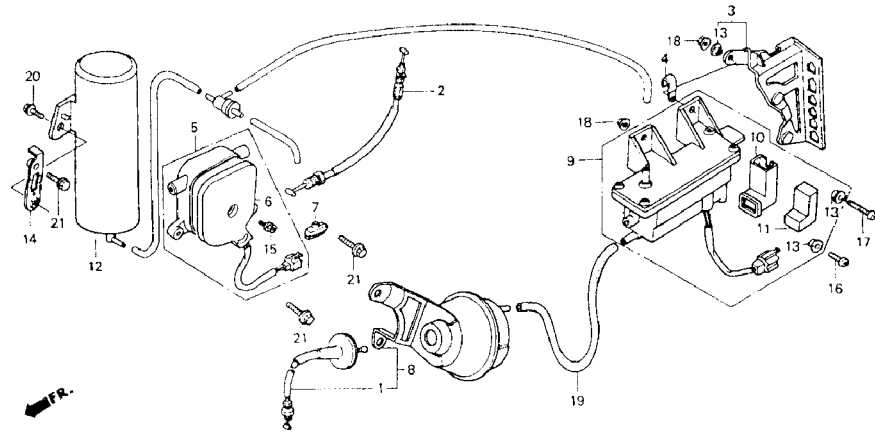
Ref. No.	Part No.	Description
1	39153-MN5-003	NUT, ANTENNA
2	39160-MAF-770	ANTENNA ASSY., CB
2	39160-MAM-771	ANTENNA ASSY., CB
2	39160-MZ3-771	ANTENNA ASSY., CB
3	39161-MAF-770	ELEMENT, CB ANTENNA
3	39161-MZ3-771	ELEMENT, CB ANTENNA
4	39162-MZ3-771	FEEDER, CB ANTENNA
5	39250-MZ3-770	TRANSCEIVER UNIT, CB
6	39251-MZ3-770	KNOB, CB
7	39255-MZ3-770	SUB-WIRE, CB GROUND
8	64236-MZ3-770	BRACKET, CB MOUNTING
9	93411-06016-08	BOLT-WASHER (6X16)
10	93892-06012-08	SCREW-WASHER (6X12)
11	93894-06012-08	SCREW-WASHER (6X12)



Catalog Title:
GL1500A / GL1500SE / GL1500I '92 '93

Block No.
F 52

Block Title:
CRUISE VALVE A/SE '92'93

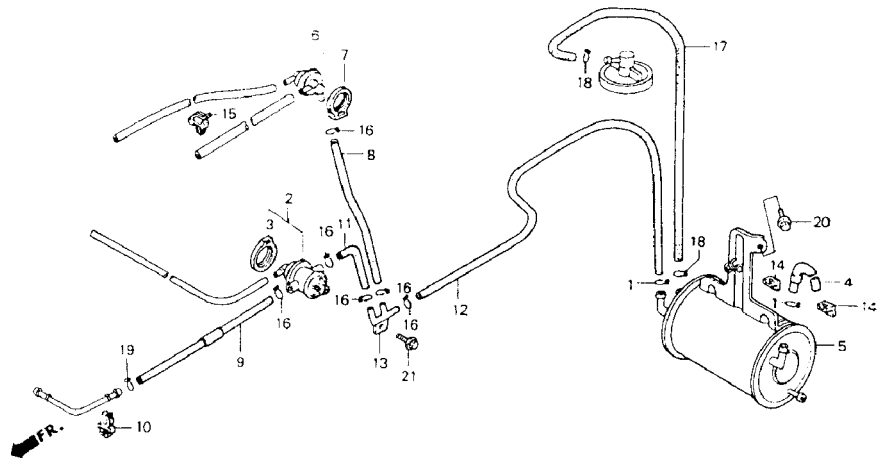


Ref. No.	Part No.	Description
1	17880-MT2-000	CABLE, ACTUATOR
2	17930-MT8-004	CABLE COMP.
3	32011-MN5-000	HOLDER B, CONNECTOR
4	32906-399-000	CLIP, IGNITION CABLE
5	35360-MT2-003	SWITCH, GRIP CANCEL
6	35366-MT2-003	COVER
7	35367-MT2-000	GROMMET, GRIP CANCEL
8	36520-MT2-000	ACTUATOR ASSY.
9	36530-MN5-005	VALVE ASSY., CRUISE
10	36531-MN5-005	COVER, FILTER
11	36532-MN5-005	FILTER
12	36625-MN5-000	TANK COMP., VACUUM
13	39265-MG9-870	COLLAR
14	50240-MT8-000	BRACKET
15	90091-SC3-960	BOLT-WASHER (5X16)
16	93500-05012-0A	SCREW, PAN (5X12)
17	93500-05020-0A	SCREW, PAN (5X20)
18	94050-05080	NUT, FLANGE (5MM)
19	95001-45003-20M	BULK HOSE (4.5X3000)
20	95701-06012-08	BOLT, FLANGE (6X12)
21	95701-06020-08	BOLT, FLANGE (6X20)

Catalog Title:
GL1500A / GL1500SE / GL1500I '92 '93

Block No.
F 53

Block Title:
CANISTER (AC)



Ref. No.	Part No.	Description
1	15772-500-010	CLIP, BREATHER TUBE
1	15772-500-013	CLIP, BREATHER TUBE
2	17300-MT2-741	VALVE ASSY.
3	17305-MJ4-771	RUBBER, SETTING
4	17309-ML8-790	TUBE, AIR BREATHER
5	17410-MT2-741	CANISTER COMP.
5	17410-MT2-742	CANISTER COMP.
6	17440-MT2-740	VALVE, PURGE CONTROL - A/SE'92
6	17440-MY4-880	VALVE, PURGE CONTROL - A//SE'93, I'92
7	17451-ME5-760	RUBBER
8	17451-MT2-740	TUBE (8MM)
9	17452-MT2-740	TUBE (8MM)
10	17453-MT2-740	CLIP, PIPE (8MM)
11	17466-MT2-740	TUBE (8MM)
12	17467-MT2-740	TUBE (8MM)
13	17468-MT2-740	JOINT, THREE-WAY
14	50260-MN5-740	RUBBER
15	61309-GE4-003	CLIP, HARNESS
16	90641-MK3-780	CLIP, TUBE (B14)
17	95001-45003-20M	BULK HOSE (4.5X3000)
18	95002-02080	CLIP, TUBE (B8)
19	95002-02120	CLIP, TUBE (B12)
20	95701-06012-08	BOLT, FLANGE (6X12)
21	95701-06014-08	BOLT, FLANGE (6X14)

Catalog Title:

GL1500A / GL1500SE / GL1500I '92 '93

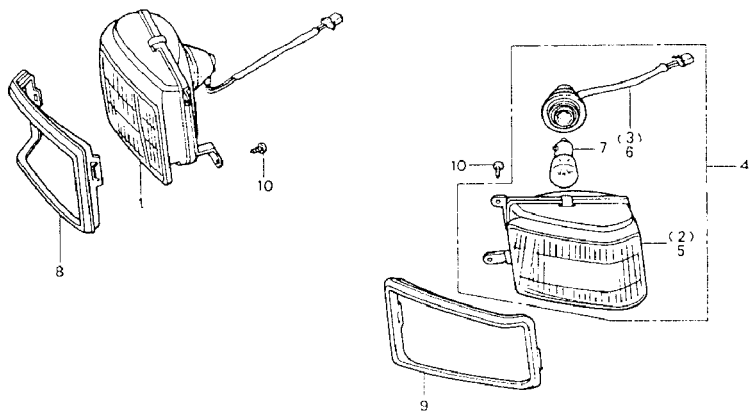
Block No.

F 54

Block Title:

CORNERING LAMP SE '92'93

Ref. No.	Part No.	Description
1	33200-MT8-771	LAMP, R. CORNERING
2	33201-MT8-771	LAMP UNIT, R.
3	33202-MT8-771	SOCKET COMP., R.
4	33250-MT8-771	LAMP, L. CORNERING
5	33251-MT8-771	LAMP UNIT, L.
6	33252-MT8-771	SOCKET COMP., L.
7	34901-071-003	BULB, HEADLIGHT
8	64281-MT8-771	RIM, R.
9	64291-MT8-771	RIM, L.
10	93903-25220	SCREW, TAP (5X12)

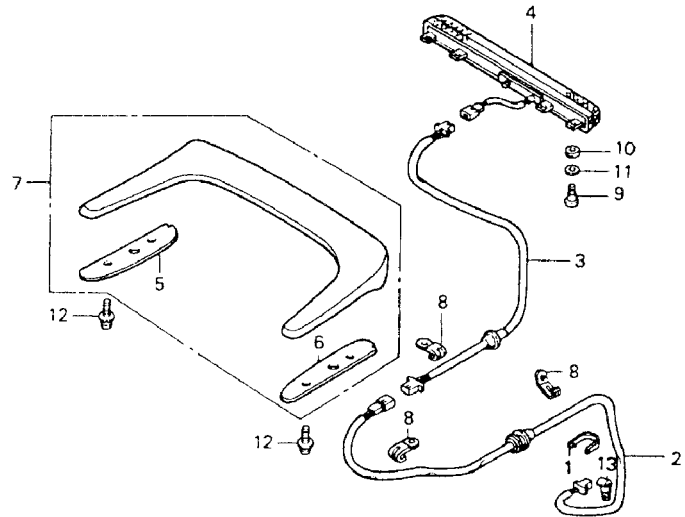


FR.

Catalog Title:
GL1500A / GL1500SE / GL1500I '92 '93

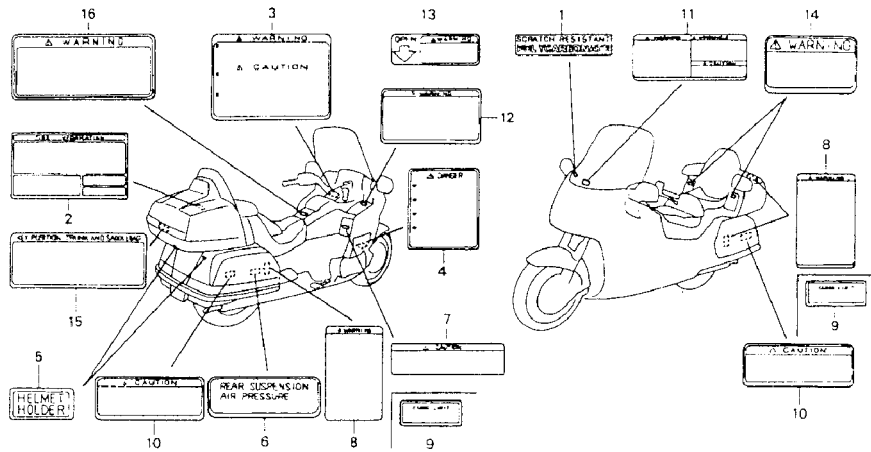
Block No.
F 55

Block Title:
HIGH MOUNT LIGHT SE '92'93



Ref. No.	Part No.	Description
1	17918-KJ2-000	CLIP, THROTTLE CABLE
2	32110-MT8-770	SUB-HARNESS
3	32116-MT8-770	SUB-HARNESS
4	34200-MT8-771	LIGHT ASSY.
5	34311-MT8-770	RUBBER, R.
6	34312-MT8-770	RUBBER, L.
7	34320-MT8-770ZE	BASE SUB *B134M*
7	34320-MT8-770ZG	BASE SUB *NH326P - SE'93
7	34320-MT8-770ZH	BASE SUB *PB255P* - SE'93
8	90601-KJ9-000	CLIP (4X50)
9	91422-MT8-770	SCREW, SPECIAL (5MM)
10	91423-MT8-770	RUBBER
11	91424-MT8-770	WASHER, PLAIN (7MM)
12	93891-06012-07	SCREW-WASHER (6X12)
12	93891-06012-17	SCREW-WASHER (6X12)
13	94591-45000	CLIP, WIRE (4X50)

Ref. No.	Part No.	Description
1	64101-463-891	LABEL, SCREEN - '92
2	87505-MT2-300	LABEL, TIRE - '92
2	87505-MZ3-670	LABEL, TIRE - '93
3	87508-MT2-300	LABEL, RADIATOR - '92
4	87509-MT2-300	LABEL, SHROUD FAN - '92
5	87511-323-670	LABEL, HELMET HOLDER - '92
5	87511-MW0-670ZA	LABEL (TYPE1) - '93
6	87518-MB9-780	LABEL, RR. - I'92
7	87519-MT2-300	LABEL, AIR ADJUST - A/SE'92
8	87520-MT2-300	LABEL - '92
9	87520-MZ3-300	LABEL (9.0K - '93G)
10	87521-MT2-300	LABEL, SADDLEBAG - '92
10	87521-MZ3-300	LABEL, SADDLEBAG - '93
11	87522-MT2-300	LABEL, WINDSHIELD - '92
12	87523-MT2-300	LABEL - '92
12	87523-MZ3-300	LABEL (2.0K - '93G)
13	87524-MT2-300	LABEL, R. POCKET - '92
14	87525-MT2-300	LABEL, TRUNK POCKET - '92
14	87525-MZ3-300	LABEL (0.5KG) - '93
15	87526-MN5-300	LABEL, KEY POSITION
16	87560-MT2-300ZA	LABEL *A73* (TYPEG) - '92
16	87560-MW0-670ZA	LABEL, DRIVE (TYPE1) - '93

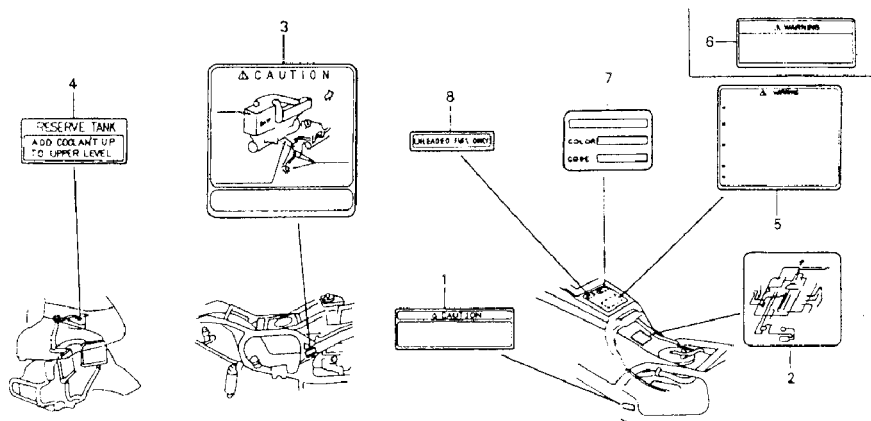


Catalog Title:
GL1500A / GL1500SE / GL1500I '92 '93

Block No.
F 5601

Block Title:
CAUTION LABEL (2)

Ref. No.	Part No.	Description
1	31115-MT2-300	LABEL - '92
1	31115-MZ3-300	LABEL - '93
2	87135-MY4-740	DIAGRAM - '92
2	87135-MZ3-740	DIAGRAM - '93
3	87506-MT2-740	LABEL, BATTERY - '92
3	87506-MZ3-300	LABEL, BATTERY - '93
4	87507-MB4-670	LABEL, RESERVE TANK - '92
5	87512-MT2-300	LABEL - '92
6	87512-MZ3-670	MARK - '93
7	87565-MY4-670ZA	LABEL, COLOR *R176* - A'92
7	87565-MY4-670ZB	LABEL, COLOR *PB240 - A'92
7	87565-MZ3-300ZA	LABEL (TYPE11) - A'93
7	87565-MZ3-300ZB	LABEL (TYPE12) - A'93
7	87565-MZ3-300ZC	LABEL, COLOR (TYPE8) - A'93
7	87565-MY4-870ZB	LABEL, COLOR *R176* - I'92
7	87565-MY4-870ZC	LABEL, COLOR *PB240* - I'92
7	87565-MZ3-870ZA	LABEL (TYPE11)- I'93
7	87565-MZ3-870ZB	LABEL (TYPE12)- I'93
7	87565-MZ3-870ZC	LABEL, COLOR (TYPE8)- I'93
7	87565-MY4-770ZA	LABEL, COLOR *B134H* - SE'92
7	87565-MZ3-770ZA	LABEL (TYPE15) - SE'93
7	87565-MZ3-770ZB	LABEL (TYPE16) - SE'93
7	87565-MZ3-770ZC	LABEL (TYPE17) - SE'93
7	87565-MZ3-770ZD	LABEL (TYPE18) - SE'93

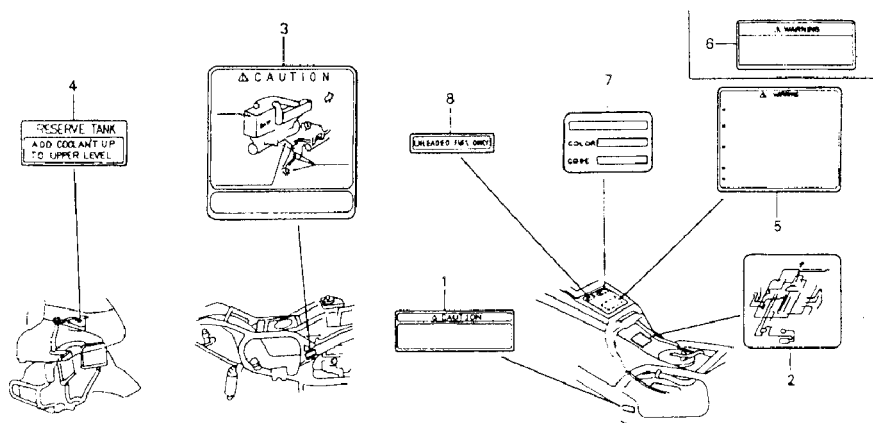


Catalog Title:
GL1500A / GL1500SE / GL1500I '92 '93

Block No.
F 5601

Block Title:
CAUTION LABEL (2)

Ref. No.	Part No.	Description
8	87586-MR6-670ZA	LABEL, FUEL (TYPEG)

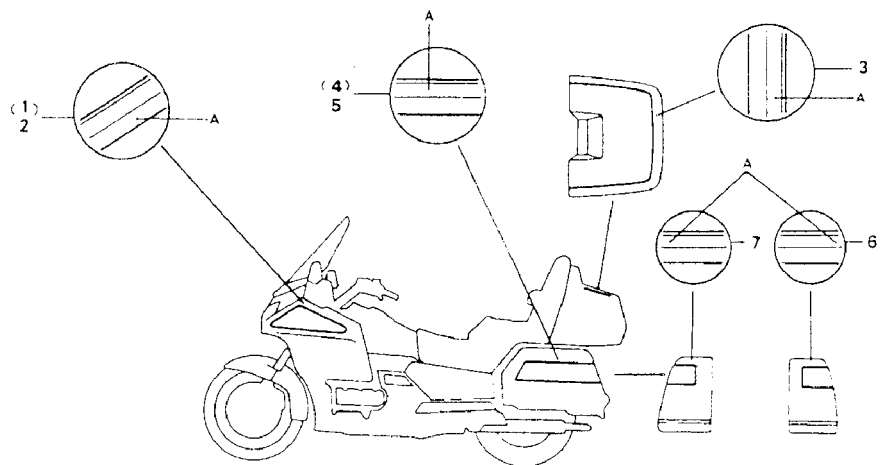


Catalog Title:
GL1500A / GL1500SE / GL1500I '92 '93

Block No.
F 57

Block Title:
STRIPE (SE) '92

Ref. No.	Part No.	Description
1	64202-MY4-770ZA	STRIPE, R. (TYPE1)
2	64203-MY4-770ZA	STRIPE, L. (TYPE1)
3	81122-MY4-770ZA	STRIPE (TYPE1)
4	81227-MY4-770ZA	STRIPE, R. (TYPE1)
5	81427-MY4-770ZA	STRIPE, L. (TYPE1)
6	87117-MY4-770ZC	STRIPE, R. (TYPE1)
7	87118-MY4-770ZA	STRIPE, L. (TYPE1)



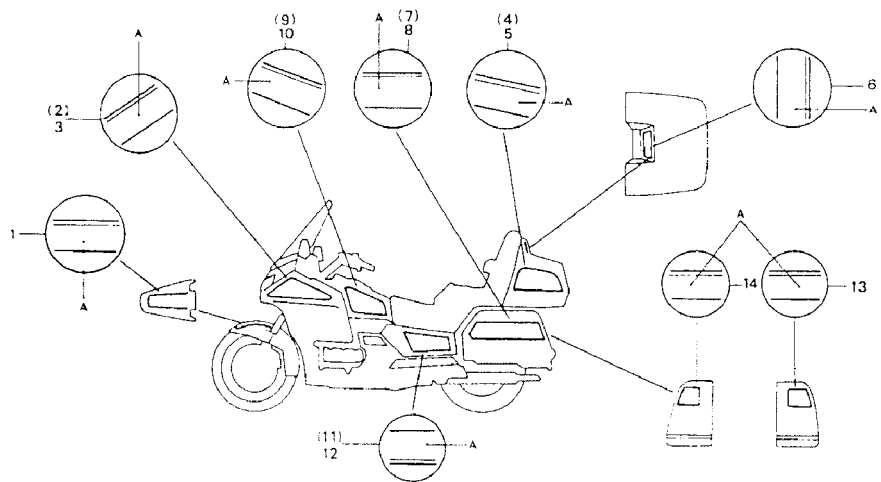
Color chart for stripe (GL1500SE '92)

Type	Main color	Position
		A
TYPE 1	Barbados blue metallic	Blue metallic

Catalog Title:
GL1500A / GL1500SE / GL1500I '92 '93

Block No.
F 5701

Block Title:
STRIPE (SE) '93

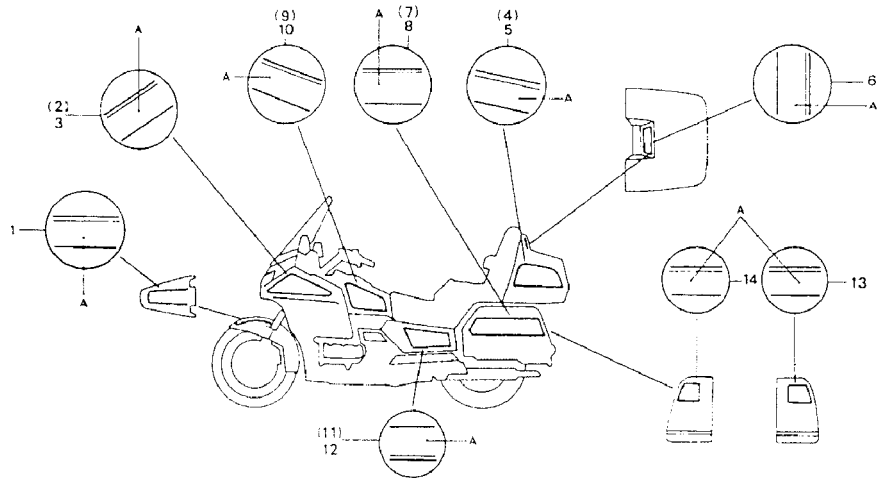


Ref. No.	Part No.	Description
1	61110-MZ3-770ZA	STRIPE A (TYPE1)
1	61110-MZ3-770ZB	STRIPE A (TYPE2)
1	61110-MZ3-770ZC	STRIPE A (TYPE3)
2	64202-MZ3-770ZA	STRIPE, R. (TYPE1)
2	64202-MZ3-770ZB	STRIPE, R. (TYPE2)
2	64202-MZ3-770ZC	STRIPE, R. (TYPE3)
3	64203-MZ3-770ZA	STRIPE, L. (TYPE1)
3	64203-MZ3-770ZB	STRIPE, L. (TYPE2)
3	64203-MZ3-770ZC	STRIPE, L. (TYPE3)
4	81115-MZ3-770ZA	STRIPE, R. (TYPE1)
4	81115-MZ3-770ZB	STRIPE, R. (TYPE2)
4	81115-MZ3-770ZC	STRIPE, R. (TYPE3)
5	81116-MZ3-770ZA	STRIPE, L. (TYPE1)
5	81116-MZ3-770ZB	STRIPE, L. (TYPE2)
5	81116-MZ3-770ZC	STRIPE, L. (TYPE3)
6	81122-MZ3-770ZA	STRIPE (TYPE1)
6	81122-MZ3-770ZB	STRIPE (TYPE2)
6	81122-MZ3-770ZC	STRIPE (TYPE3)
7	81227-MZ3-770ZA	STRIPE, R. (TYPE1)
7	81227-MZ3-770ZB	STRIPE, R. (TYPE2)
7	81227-MZ3-770ZC	STRIPE, R. (TYPE3)
8	81427-MZ3-770ZA	STRIPE, L. (TYPE1)
8	81427-MZ3-770ZB	STRIPE, L. (TYPE2)
8	81427-MZ3-770ZC	STRIPE, L. (TYPE3)
9	83215-MZ3-770ZA	STRIPE, R. (TYPE1)

Catalog Title:
GL1500A / GL1500SE / GL1500I '92 '93

Block No.
F 5701

Block Title:
STRIPE (SE) '93



Ref. No.	Part No.	Description
9	83215-MZ3-770ZB	STRIPE, R. (TYPE2)
9	83215-MZ3-770ZC	STRIPE, R. (TYPE3)
10	83225-MZ3-770ZA	STRIPE, L. (TYPE1)
10	83225-MZ3-770ZB	STRIPE, L. (TYPE2)
10	83225-MZ3-770ZC	STRIPE, L. (TYPE3)
11	83615-MZ3-770ZA	STRIPE, R. (TYPE1)
11	83615-MZ3-770ZB	STRIPE, R. (TYPE2)
11	83615-MZ3-770ZC	STRIPE, R. (TYPE3)
12	83715-MZ3-770ZA	STRIPE, L. (TYPE1)
12	83715-MZ3-770ZB	STRIPE, L. (TYPE2)
12	83715-MZ3-770ZC	STRIPE, L. (TYPE3)
13	87117-MZ3-770ZA	STRIPE, R. (TYPE1)
13	87117-MZ3-770ZB	STRIPE, R. (TYPE2)
13	87117-MZ3-770ZC	STRIPE, R. (TYPE3)
14	87118-MZ3-770ZA	STRIPE, L. (TYPE1)
14	87118-MZ3-770ZB	STRIPE, L. (TYPE2)
14	87118-MZ3-770ZC	STRIPE, L. (TYPE3)

Color chart for stripe (GL1500SE '93)

Type	Main color	Position
		A
TYPE 1	Barbados blue metallic (B134M)	Aqua silver metallic
TYPE 2	Pearl coronado blue (PB255P)	Light blue metallic
TYPE 3	Pearl glacier white (NH326P)	Beige metallic

Catalog Title:

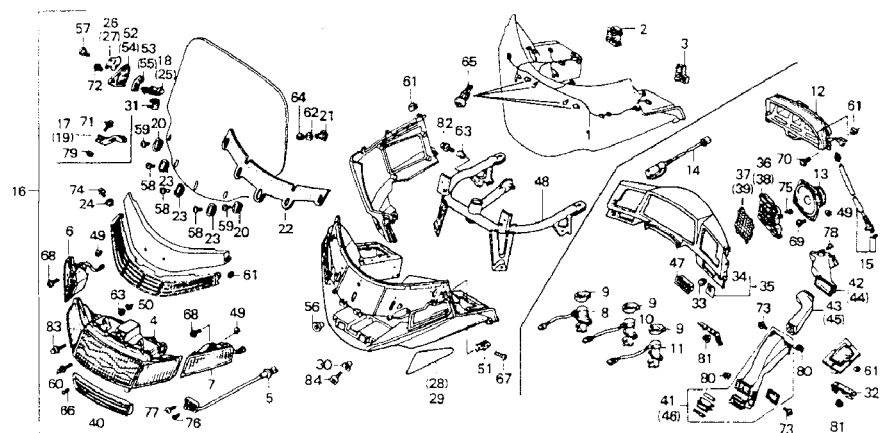
GL1500A / GL1500SE / GL1500I '92 '93

Block No.

F 58

Block Title:

FAIRING SET '92

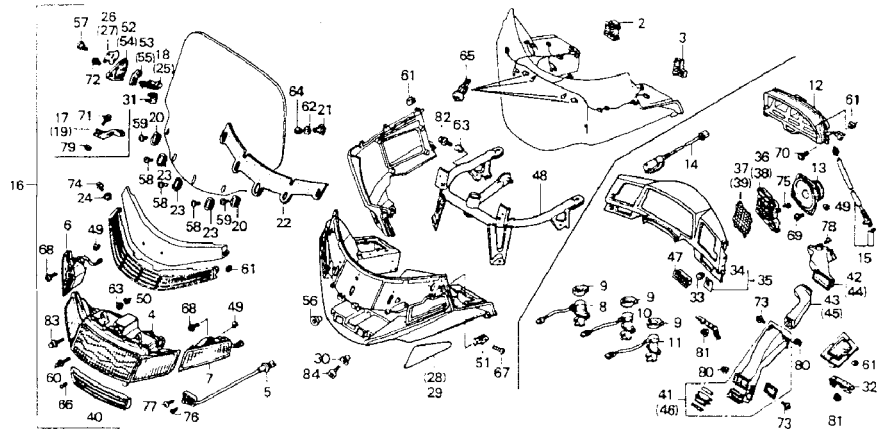


Ref. No.	Part No.	Description
1	32105-MY4-000	SUB-HARNESS, FAIRING - A/SE
1	32105-MY4-870	SUB-HARNESS, FAIRING - I
2	32120-MN5-003	HOLDER, R. CONNECTOR
3	32121-MN5-003	HOLDER, L. CONNECTOR - A/SE
4	33101-MN5-053	HDLT (12V 60/55W)
5	33140-MT8-770	ADJUSTER, HEADLIGHT
6	33400-MN5-013	TURN SIGNAL ASSY.
6	33400-MN5-023	TURN SIGNAL ASSY.
7	33450-MN5-003	TURN SIGNAL ASSY.
7	33450-MN5-013	TURN SIGNAL ASSY.
8	36167-MT8-013	VALVE COMP.
9	36172-MN5-003	SUSPENSION
10	36193-MN5-003	VALVE COMP. (2)
11	36197-MN5-003	VALVE COMP. (3)
12	37100-MT8-781	METER, COMBINATION - A/SE
12	37100-MW5-861	METER, COMBINATION - I
13	39130-MT2-003	SPEAKER UNIT
14	39245-MT2-010	LEAD - A/SE
15	44830-MN5-000	CABLE, SPEEDOMETER
16	64021-MY4-000ZA	FAIRING SET *NH159L* (TYPE1) - A'92
16	64021-MY4-870ZA	FAIRING SET *NH159L* (TYPE1) - I'92
16	64021-MY4-770ZD	FAIRING SET *B75L* (TYPE5) - SE'92
17	64107-MT8-000	LEVER, R. - A/SE
18	64108-MAM-000	PLATE, R. TENSION - A/SE
18	64108-MT8-000	PLATE, R. TENSION - A/SE

Catalog Title:
GL1500A / GL1500SE / GL1500I '92 '93

Block No.
F 58

Block Title:
FAIRING SET '92

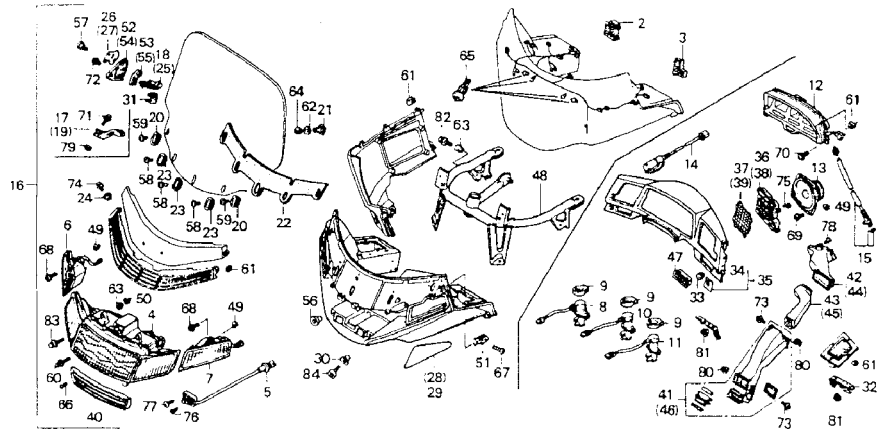


Ref. No.	Part No.	Description
19	64109-MT8-000	LEVER, L. - A/SE
20	64113-MN5-000	PLATE - A/SE
20	64116-MN5-000	PLATE - I'92
21	64114-MG9-770	NUT
22	64115-MAM-000	RUBBER, SCREEN
22	64115-MN5-000	RUBBER, SCREEN
23	64116-MN5-000	PLATE
24	64117-MW5-000	COLR, SCREEN GARNISH - A/SE
25	64118-MAM-000	PLATE, L. TENSION - A/SE
25	64118-MT8-000	PLATE, L. TENSION - A/SE
26	64123-MT8-000	PLATE, R. LEVER SIDE - A/SE
27	64124-MT8-000	PLATE, L. LEVER SIDE - A/SE
28	64202-MY4-770ZA	STRIPE, R. (TYPE1) - SE'92
29	64203-MY4-770ZA	STRIPE, L. (TYPE1) - SE'92
30	64209-MN5-000	COLLAR
31	64219-MN5-000	CLIP, SCREEN GUIDE - A/SE
32	64234-MW5-000	PLATE, R.
32	64234-MZ3-000	PLATE, R.
33	64236-MG9-770	GROMMET - A/I
34	64240-MN5-000ZA	PNL, METER *NH159L* - A/I
34	64240-MT8-000ZC	PNL *NH159L* (TYPE1) - A/I
35	64241-MT8-770ZD	PANEL *B75L* (TYPE5) - SE
36	64242-MN5-000ZA	CVR *NH159L* (TYPE1) - A/I
36	64242-MN5-000ZE	COVER *B75L* (TYPE5) - SE
37	64243-MN5-000ZA	GRL *NH159L* (TYPE1) - A/I

Catalog Title:
GL1500A / GL1500SE / GL1500I '92 '93

Block No.
F 58

Block Title:
FAIRING SET '92

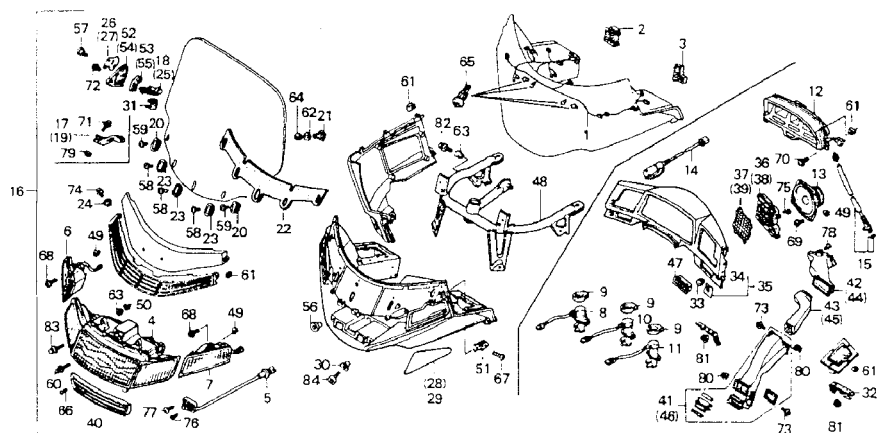


Ref. No.	Part No.	Description
37	64243-MN5-000ZE	GRL *B75L* (TYPE5)- SE
38	64247-MN5-000ZA	CVR *NH159L* (TYPE1) - A/I
38	64247-MN5-000ZE	COVER *B75L* (TYPE5) - SE
39	64248-MN5-000ZA	GRL *NH159L* (TYPE1) - A/I
39	64248-MN5-000ZE	GRL *B75L* (TYPE5) - SE
40	64270-MT2-000	GRILLE, FR. - A/I
40	64270-MW5-770	GRILLE, FR. - SE
41	64271-MN5-000	DUCT, R. (LOWER)
42	64275-MN5-000	DUCT, R. AIR (UPPER)
43	64278-MN5-000	DUCT, R. AIR (LOWER)
44	64283-MN5-000	DUCT, L. AIR (UPPER)
45	64288-MN5-000	DUCT, L. AIR (LOWER)
46	64289-MN5-000	DUCT, L. (LOWER)
47	64480-MN5-000ZA	OUTLET *NH159L* - A/I
47	64480-MN5-000ZE	OUTLET *B75L* - SE
48	64510-MY4-000	STAY COMP., COWL
49	64521-MN5-000	NUT, CLIP (4MM)
50	64529-MN5-000	NUT, CLIP (6MM) - A/SE
51	64529-MW5-870	NUT, PLATE (6MM) - I
52	64531-MN5-000	BASE, R. MIRROR - A/SE
52	64531-MW5-870	BASE, R. MIRROR - I
53	64532-MT8-000	PLATE, R. PIVOT - A/SE
54	64631-MN5-000	BASE, L. MIRROR - A/SE
54	64631-MW5-870	BASE, L. MIRROR - I
55	64632-MT8-000	PLATE, L. PIVOT

Catalog Title:
GL1500A / GL1500SE / GL1500I '92 '93

Block No.
F 58

Block Title:
FAIRING SET '92



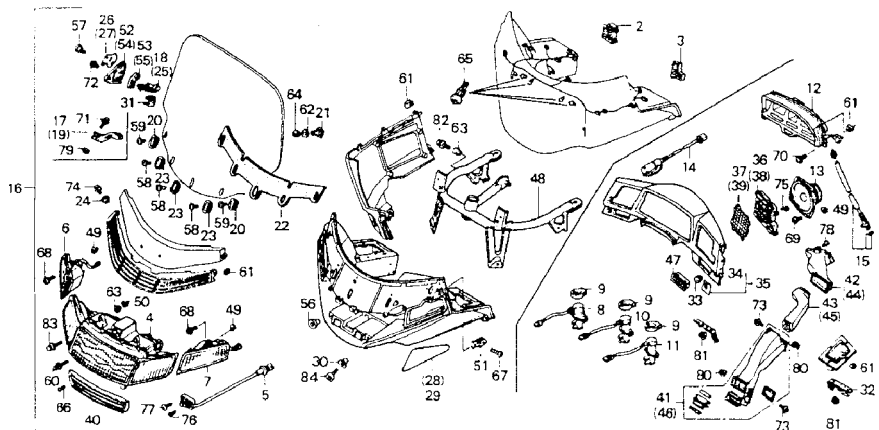
Ref. No.	Part No.	Description
56	84706-GB0-900	COLLAR
57	90104-KT8-710	SCREW, SPECIAL (6X8)
58	90107-MN5-000	SCREW - A/SE
58	90110-GW0-000	SCREW (6X14) - I
59	90107-MT2-000	SCREW (6X12) - A/SE
59	90110-GW0-000	SCREW (6X14) - I
60	90112-MN5-000	BOLT, SPECIAL (6X28)
61	90305-MN5-000	NUT, PLATE (5MM)
62	90501-MT2-000	WASHER
63	90512-440-980	WASHER (6MM)
64	90601-473-003	E-RING (8MM)
65	90663-MN5-000	CLIP, WIRE
66	93500-04008-0G	SCREW, PAN (4X8)
67	93500-04016-0A	SCREW, PAN (4X16) - I
68	93891-04012-07	SCREW-WASHER (4X12)
69	93891-04012-08	SCREW-WASHER (4X12)
70	93891-05016-07	SCREW-WASHER (5X16)
71	93891-05022-07	SCREW-WASHER (5X22) - A/SE
72	93893-05012-08	SCREW-WASHER (5X12) - A/SE
72	93893-05012-18	SCREW-WASHER (5X12) - A/SE
73	93894-04012-08	SCREW-WASHER (4X12)
74	93894-05012-18	SCREW-WASHER (5X12) - A/SE
74	90107-MN5-000	SCREW - I
75	93903-24320	SCREW, TAP (4X12)
76	93903-24380	SCREW, TAP (4X12)

Catalog Title:
GL1500A / GL1500SE / GL1500I '92 '93

Block No.
F 58

Block Title:
FAIRING SET '92

Ref. No.	Part No.	Description
77	93903-26180	SCREW, TAP (6X12)
78	93903-34220	SCREW, TAP (4X10)
79	94001-05080-0S	NUT, HEX. (5MM) - A/SE
80	94050-04080	NUT, FLANGE (4MM)
81	94050-06080	NUT, FLANGE (6MM)
82	95701-06016-08	BOLT, FLANGE (6X16)
83	95701-06028-08	BOLT, FLANGE (6X28)
84	96600-06018-07	BOLT, SOCKET (6X18)

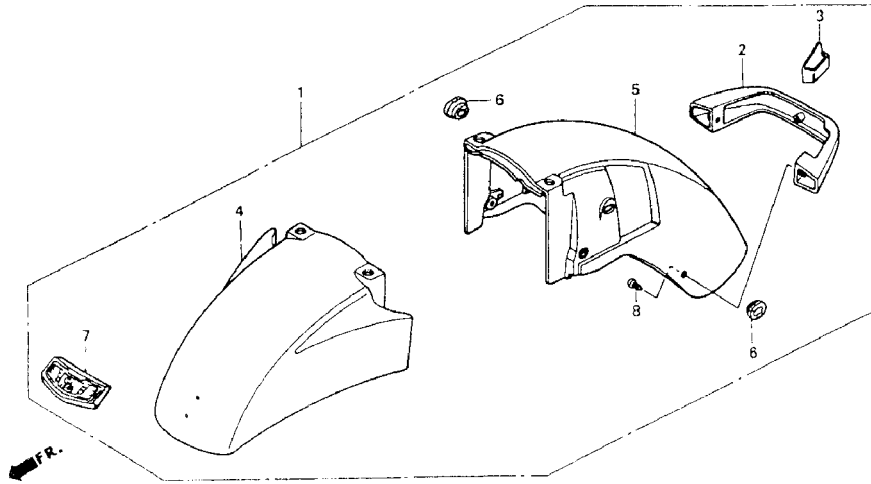


Catalog Title:
GL1500A / GL1500SE / GL1500I '92 '93

Block No.
F 59

Block Title:
FRONT FENDER SET '92

Ref. No.	Part No.	Description
1	61020-MY4-000ZD	FENDER SET, FR. *PB240M* - A/I
1	61020-MY4-000ZE	FENDER SET, FR. *R176C* - A/I
1	61020-MW5-770ZB	FENDER SET *B134M* - SE
2	61102-MW5-000ZA	GUARD *MRCR2*
3	61103-MN5-000	GUIDE, CABLE
4	61105-MN5-000ZN	FDR A, FR. *R176C* - A/I
4	61105-MN5-000ZP	FDR A, FR. *PB240M* - A/I
4	61105-MN5-000ZQ	FDR A, FR. *B134M* - SE
4	61105-MN5-000ZR	FDR A, FR. *B134M* - SE
5	61106-MN5-000ZN	FENDER B *R176C* - A/I
5	61106-MN5-000ZP	FENDER B *PB240M* - A/I
5	61106-MN5-000ZQ	FENDER B *B134M* - SE
5	61106-MN5-000ZR	FENDER B *B134M* - SE
6	64266-MG9-770	GROMMET
7	87124-MT8-000	EMBLEM, FR. FENDER - A/I
7	87124-MT8-770	EMBLEM, FR. FENDER - SE
8	93903-24220	SCREW, TAP (4X10)

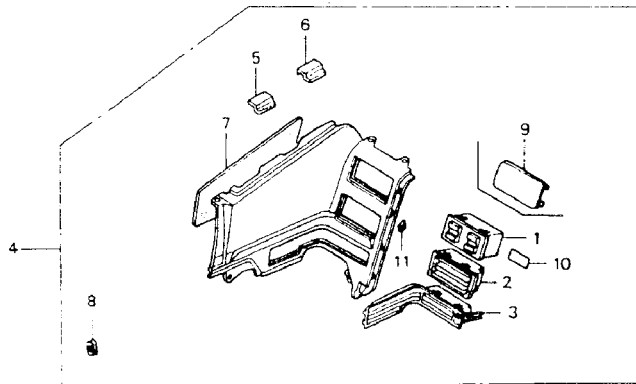


Catalog Title:
GL1500A / GL1500SE / GL1500I '92 '93

Block No.
F 60

Block Title:
R. SIDE SHELTER SET '92

Ref. No.	Part No.	Description
1	35800-MN5-010	SWITCH ASSY. - A/SE
2	64445-MN5-000	OUTLET, R. FRESH AIR
3	64470-MN5-000	OUTLET, R. HOT AIR
4	83021-MW5-000ZA	SHELTER SET *PB240M* - A'92
4	83021-MW5-000ZB	SHELTER SET *R176C* - A'92
4	83021-MW5-870ZA	SHELTER SET *PB240M* - I'92
4	83021-MW5-870ZB	SHELTER SET *R176C* - I'92
4	83021-MW5-000ZC	SHELTER SET *B134M* - SE'92
5	83112-MN5-310	RUBBER, TOP SHELTER
6	83113-MN5-300	RUBBER B
7	83115-MN5-300	MAT, R. SIDE SHELTER - A/SE
8	83124-MN5-000	RUBBER
9	83139-MW5-870ZB	PANEL, R. *R176C* - I'92
9	83139-MW5-870ZC	PANEL, R. *PB240M* - I'92
10	87519-MT2-300	LABEL, AIR ADJUST - A/SE
11	90305-MN5-000	NUT, PLATE (5MM)



FR. →

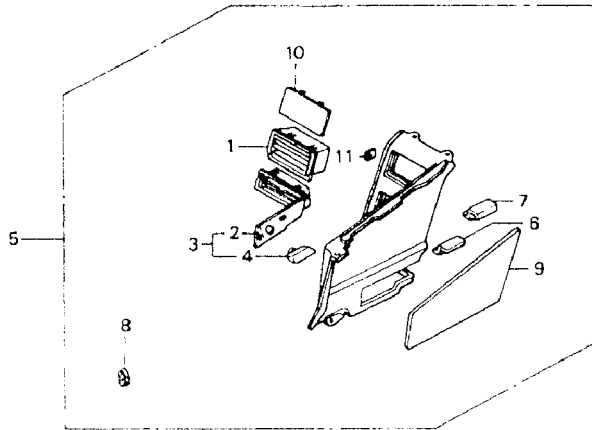
Catalog Title:
GL1500A / GL1500SE / GL1500I '92 '93

Block No.
F 61

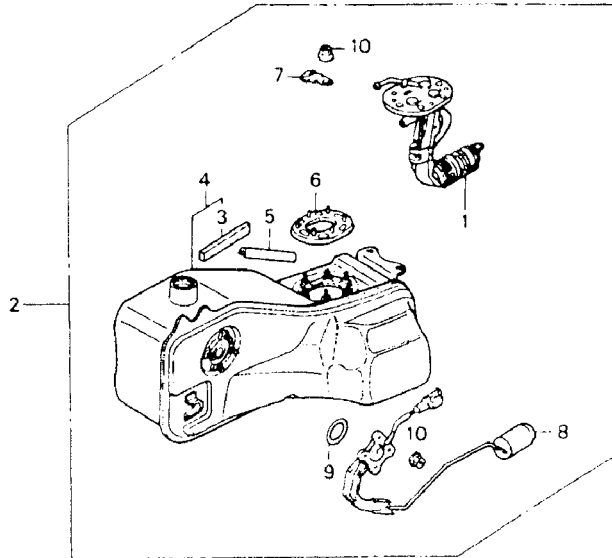
Block Title:
L. SIDE SHELTER SET '92

Ref. No.	Part No.	Description
1	64455-MN5-000	OUTLET, L. FRESH AIR
2	64475-MN5-000	OUTLET, L. HOT AIR - A/SE'92
3	64475-MW5-870	OUTLET, L. HOT AIR - I'92
4	64478-MW5-870	CAP B, AIR PANEL - I'92
5	83022-MW5-000ZA	SHELTER SET *PB240M* - A'92
5	83022-MW5-000ZB	SHELTER SET *R176C* - A'92
5	83022-MY4-870ZA	SHELTER SET, L. SIDE *PB240M* - I'92
5	83022-MY4-870ZB	SHELTER SET, L. SIDE *R176C* - I'92
5	83022-MW5-000ZC	SHELTER SET *B134M* -SE'92
6	83112-MN5-310	RUBBER, TOP SHELTER
7	83113-MN5-300	RUBBER B
8	83124-MN5-000	RUBBER
9	83125-MN5-300	MAT, L. SIDE SHELTER- A/SE
10	83149-MN5-000ZN	PANEL, L. *R176C* - A/I
10	83149-MN5-000ZP	PANEL, L. *PB240M* - A/I
10	83149-MN5-000ZR	PANEL, L. *B134M* - SE'92
11	90305-MN5-000	NUT, PLATE (5MM)

FR. 



Ref. No.	Part No.	Description
1	16700-MAF-000	PUMP ASSY., FUEL - A/SE
1	16700-MT2-000	PUMP UNIT, FUEL - A/SE
1	16700-MT2-010	PUMP UNIT, FUEL - A/SE
1	16700-MAF-870	PUMP ASSY., FUEL - I'92
1	16700-MW5-870	PUMP UNIT, FUEL - I'92
1	16700-MW5-871	PUMP UNIT, FUEL - I'92
2	17020-MW5-000	TANK SET, FUEL (NOT AVAILABLE) - A/SE
2	17020-MW5-870	TANK SET, FUEL (NOT AVAILABLE) -I'92
3	17509-MN5-000	RUBBER, BATTERY TRAY
4	17510-MT8-000	TANK COMP., FUEL
4	17510-MZ3-000	TANK COMP., FUEL
5	17516-MK7-000	TRIM, FUEL TANK
6	17574-MN5-000	GASKET, BASE
7	32111-426-000	CLAMP, CABLE
7	32111-460-780	CLAMP
8	37800-MT8-008	FUEL UNIT
9	91305-MC7-000	O-RING (39.5X5)
10	94050-06080	NUT, FLANGE (6MM)



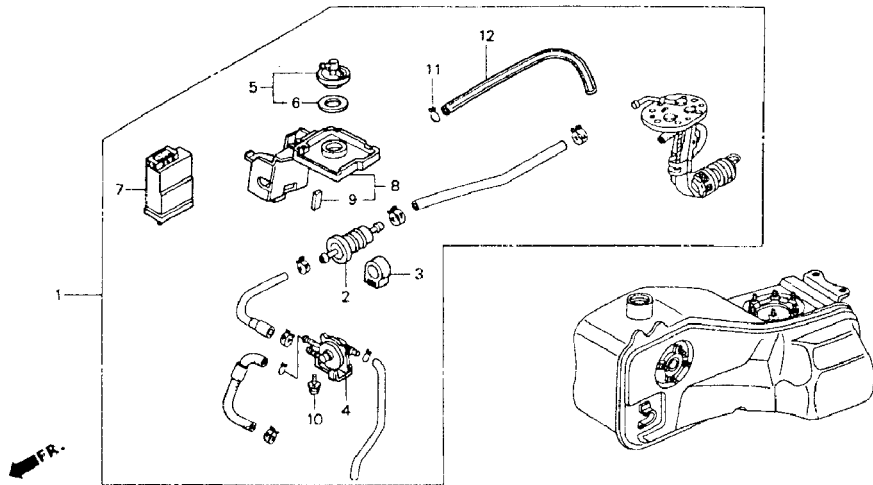
←FR.

Catalog Title:
GL1500A / GL1500SE / GL1500I '92 '93

Block No.
F 63

Block Title:
FILLER TRAY SET '92

Ref. No.	Part No.	Description
1	16020-MY4-000	TRAY SET, FILLER - A/I
1	16020-MY4-770	TRAY SET, FILLER - SE
2	16900-MG8-003	FILTER COMP., FUEL
3	16905-MG7-000	RUBBER
4	16970-MN5-003	PETCOCK ASSY.
5	17670-MW5-741	CAP, FUEL FILLER
6	17682-679-013	GASKET
7	30410-MY4-003	CONTROL UNIT, ENGINE - A/I'92
7	30410-MY4-771	CONTROL UNIT, ENGINE - SE'92
8	83502-MT8-000	TRAY, FUEL FILLER
9	84102-ML7-000	RUBBER, SPART UNIT
10	93893-05010-08	SCREW-WASHER (5X10)
11	95002-80000	CLIP, TUBE (C12)
12	95003-23008-60M	BULK HOSE, VINYL



Catalog Title:

GL1500A / GL1500SE / GL1500I '92 '93

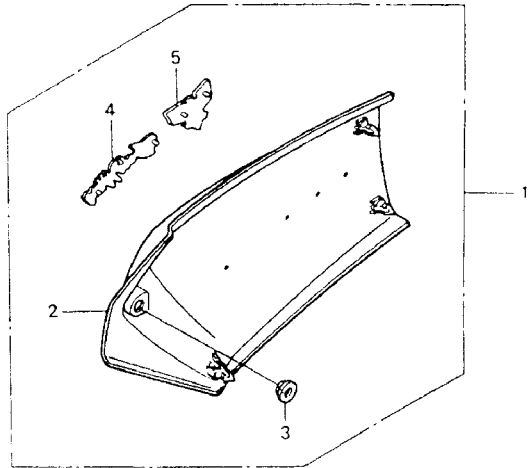
Block No.

F 64

Block Title:

R. SIDE COVER SET '92

Ref. No.	Part No.	Description
1	83023-MW5-000ZA	COVER SET, R. SIDE *PB240M* - A/I '92
1	83023-MW5-000ZB	COVER SET, R. SIDE *R176C* - A/I '92
1	83023-MY4-770ZA	COVER SET, R. SIDE *B134M* - SE'92
2	83600-MN5-000ZN	CVR, R. SIDE *R176C*- A/I '92
2	83600-MN5-000ZP	COVER, R. *PB240M*- A/I '92
2	83600-MN5-000ZR	CVR, R. SIDE *B134M* - SE'92
3	83601-MN5-000	GROMMET, SIDE COVER
4	83605-MT8-000	EMBLEM A, SIDE COVER- A/I '92
4	83605-MY4-770	EMBLEM A, SIDE COVER - SE'92
5	83606-MT8-000	EMBLEM B, SIDE COVER- A/I '92
5	83606-MT8-770	EMBLEM B, SIDE COVER - SE'92



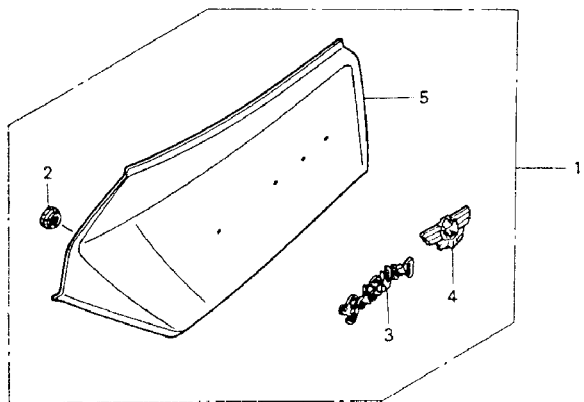
FR.

Catalog Title:
GL1500A / GL1500SE / GL1500I '92 '93

Block No.
F 65

Block Title:
L. SIDE COVER SET '92

Ref. No.	Part No.	Description
1	83024-MW5-000ZA	COVER SET, L. SIDE *PB240M*- A/I '92
1	83024-MW5-000ZB	COVER SET, L. SIDE *R176C* - A/I '92
1	83024-MY4-770ZA	COVER SET, L. SIDE *B134M* - SE'92
2	83601-MN5-000	GROMMET, SIDE COVER
3	83605-MT8-000	EMBLEM A, SIDE COVER- A/I '92
3	83605-MY4-770	EMBLEM A, SIDE COVER - SE'92
4	83606-MT8-000	EMBLEM B, SIDE COVER- A/I '92
4	83606-MT8-770	EMBLEM B, SIDE COVER - SE'92
5	83700-MN5-000ZN	CVR, L. SIDE *R176C*- A/I '92
5	83700-MN5-000ZP	COVER, L. *PB240M*- A/I '92
5	83700-MN5-000ZR	CVR, L. SIDE *B134M* - SE'92



FR.

Catalog Title:

GL1500A / GL1500SE / GL1500I '92 '93

Block No.

F 66

Block Title:

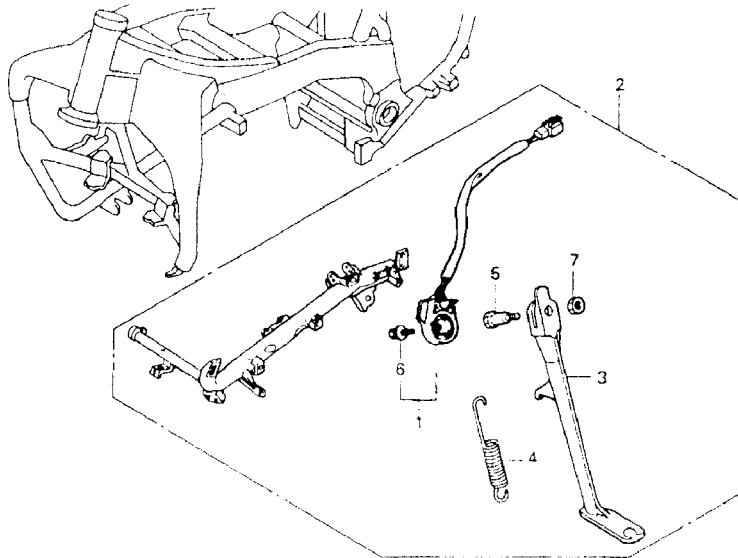
SUB FRAME SET '92

Ref. No.

Part No.

Description

1	35700-MY4-305	SWITCH, SIDE STAND
2	50021-MY4-000	SUB-FRAME SET (NOT AVAILABLE)
3	50532-MY4-000	BAR, SIDE STAND
3	50532-MY4-700	BAR, SIDE STAND
4	50541-MB0-000	SPRING, SIDE STAND
5	90108-MR5-000	BOLT
6	90147-MK6-671	BOLT, SPECIAL (6X16)
7	90203-MF9-710	NUT, SIDE STAND



Catalog Title:

GL1500A / GL1500SE / GL1500I '92 '93

Block No.

F 67

Block Title:

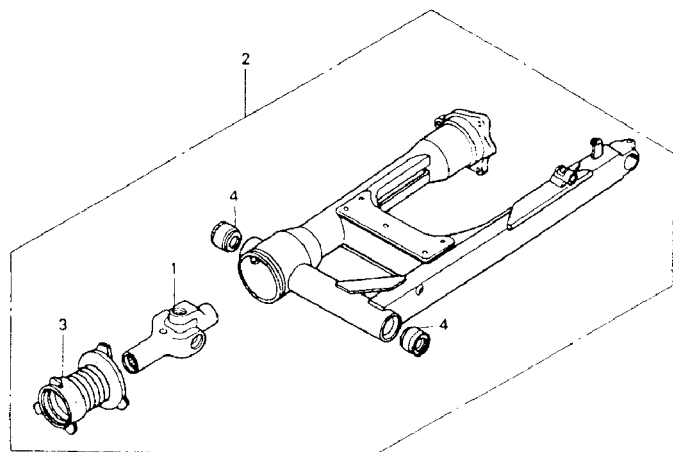
SWINGARM SET '92

Ref. No.

Part No.

Description

1	40200-MN5-003	JOINT COMP., YOKE
1	40200-MZ3-003	JOINT COMP., YOKE
2	52020-MW5-000	SWINGARM SET
3	52104-MN5-000	BOOT, JOINT
4	91066-HA7-672	BEARING (17X40X23.5)



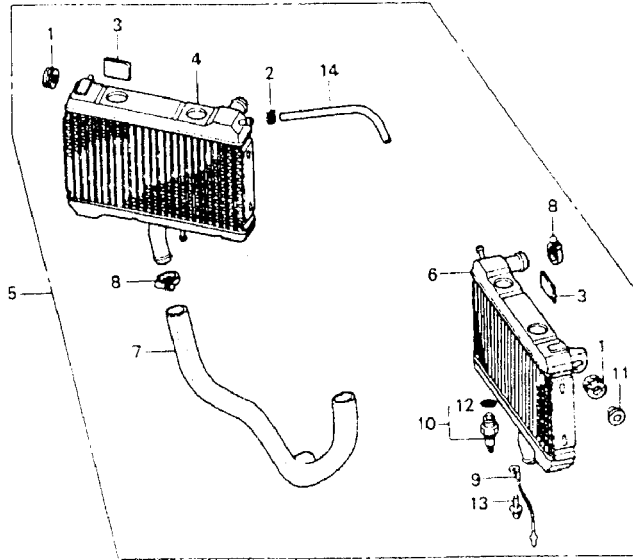
FR.

Catalog Title:
GL1500A / GL1500SE / GL1500I '92 '93

Block No.
F 68

Block Title:
RADIATOR SET '92

Ref. No.	Part No.	Description
1	15604-MG7-000	GROMMET, OIL COOLER
2	16969-MB1-000	CLIP, FUEL HOSE
3	17508-MN5-000	RUBBER, CUSHION
4	19010-MY4-004	RADIATOR COMP., R.
5	19011-MY4-000	RADIATOR SET- A/I '92
5	19011-MY4-770	RADIATOR SET - SE'92
6	19060-MN5-003	RADIATOR COMP., L.
6	19060-MT2-004	RADIATOR COMP., L.
7	19502-MN5-000	HOSE, WATER (LOWER)
8	19503-MB1-870	CLAMP, WATER HOSE
9	32113-MN5-000	SUB-WIRE
10	37760-MT2-003	SWITCH, THERMOSTAT
11	90551-MG7-000	COLLAR (.8X11)- A/I '92
12	91307-PH7-660	O-RING (13.5X1.4)
12	91307-611-000	O-RING (13.5X1.4)
13	93891-04008-18	SCREW-WASHER (4X8)
14	95001-75008-60M	BULK HOSE (7.5X8000)



Catalog Title:

GL1500A / GL1500SE / GL1500I '92 '93

Block No.

F 69

Block Title:

FRAME SET '92**Ref. No.****Part No.****Description**

1

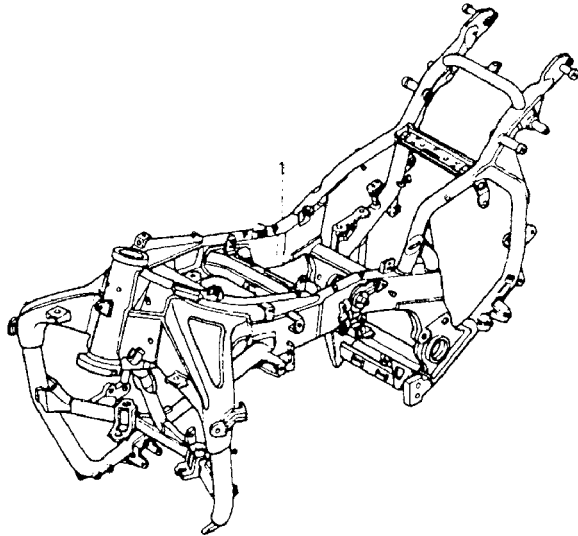
50020-MW5-000

FRAME SET - A/I '92

1

50020-MW5-870

FRAME SET - SE'92



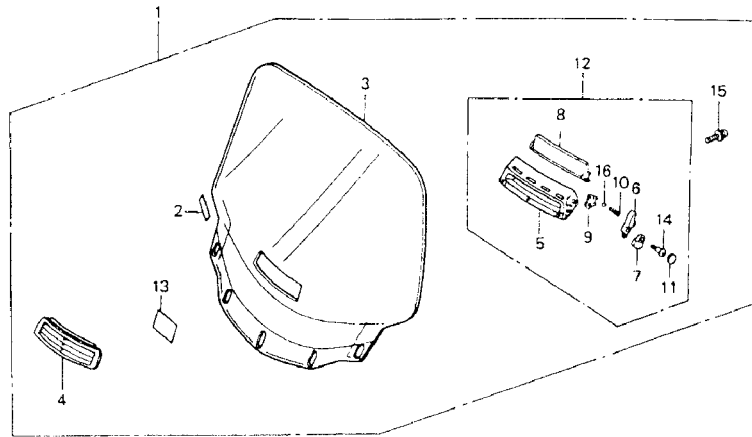
FR.

Catalog Title:
GL1500A / GL1500SE / GL1500I '92 '93

Block No.
F 70

Block Title:
WIND SCREEN SET '92

Ref. No.	Part No.	Description
1	64020-MY4-770	SCREEN SET, WIND (NOT AVAILABL
2	64101-463-891	LABEL, SCREEN
3	64130-MW5-770	WINDSCREEN COMP.
4	64150-MT8-770	GRILLE
5	64155-MY4-770	VISOR
6	64157-MT8-770	LEVER
7	64158-MT8-770	COVER
8	64160-MT8-770	LID
9	64166-MT8-770	PLATE, LEVER CLICK
10	64167-MT8-770	SPRING, LEVER CLICK
11	64168-MT8-770	PLATE, COVER
12	64170-MY4-770	VISOR, FRESH AIR
13	87522-MT2-300	LABEL, WINDSHIELD
14	90101-GE0-000	SCREW, HINGE PATCH
15	93891-04012-07	SCREW-WASHER (4X12)
16	96211-06000	BALL (#6) (3/16)

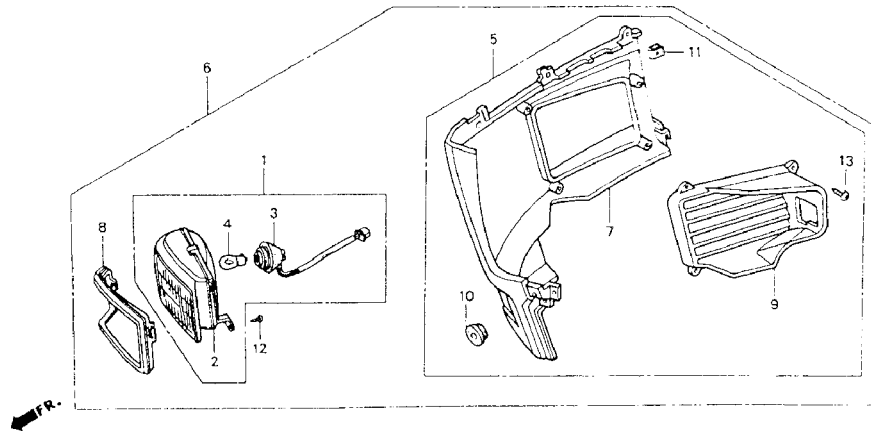


Catalog Title:
GL1500A / GL1500SE / GL1500I '92 '93

Block No.
F 71

Block Title:
R. SIDE UNDER COWL SET '92

Ref. No.	Part No.	Description
1	33200-MT8-771	LAMP, R. CORNERING - SE'92
2	33201-MT8-771	LAMP UNIT, R. - SE'92
3	33202-MT8-771	SOCKET COMP., R. - SE'92
4	34901-071-003	BULB, HEADLIGHT - SE'92
5	64022-MW5-000ZA	COWL SET, R. SIDE (LOWER) *PB240M- A/I '92
5	64022-MW5-000ZB	COWL SET, R. SIDE (LOWER) *R176C- A/I '92
6	64022-MW5-770ZA	COWL SET, R. SIDE (LOWER) *B134M-SE'92
7	64280-MN5-000ZM	COWL, R. *R176C*- A/I '92
7	64280-MN5-000ZN	COWL, R. *PB240M*- A/I '92
7	64280-MT8-770ZD	COWL, R. *B134M* - SE'92
8	64281-MT8-771	RIM, R. - SE'92
9	64285-MN5-000	LOUVER, R. SIDE COWL
10	83601-MN5-000	GROMMET, SIDE COVER
11	90305-MN5-000	NUT, PLATE (5MM)
12	93903-25220	SCREW, TAP (5X12) - SE'92
13	93903-34380	SCREW, TAP (4X12)

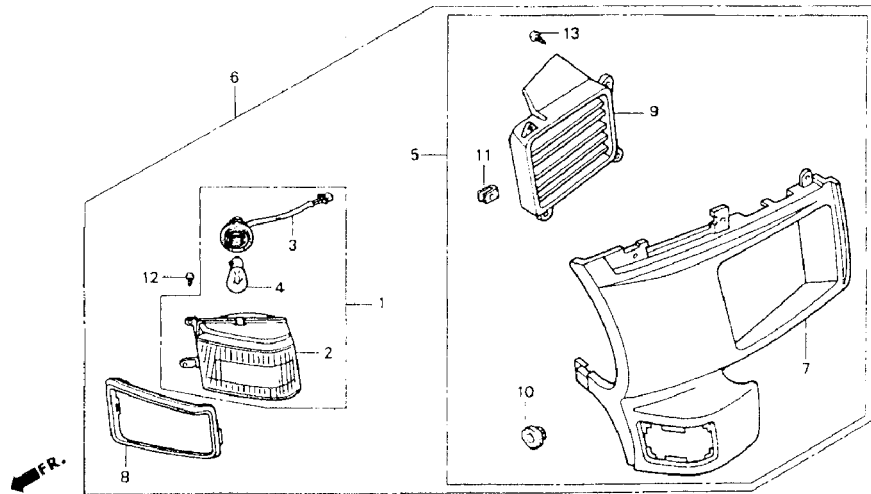


Catalog Title:
GL1500A / GL1500SE / GL1500I '92 '93

Block No.
F 72

Block Title:
L. SIDE UNDER COWL SET '92

Ref. No.	Part No.	Description
1	33250-MT8-771	LAMP, L. CORNERING- SE'92
2	33251-MT8-771	LAMP UNIT, L. - SE'92
3	33252-MT8-771	SOCKET COMP., L. -SE'92
4	34901-071-003	BULB, HEADLIGHT -SE'92
5	64023-MW5-000ZA	COWL SET, L. SIDE (LOWER) *PB240M- A/I '92
5	64023-MW5-000ZB	COWL SET, L. SIDE (LOWER) *R176C- A/I '92
6	64023-MW5-770ZA	COWL SET, L. SIDE (LOWER) *B134M -SE'92
7	64290-MN5-000ZM	COWL, L. *R176C*- A/I '92
7	64290-MN5-000ZN	COWL, L. *PB240M*- A/I '92
7	64290-MT8-770ZD	COWL, L. *B134M* - SE'92
8	64291-MT8-771	RIM, L. - SE'92
9	64295-MN5-000	LOUVER, L. SIDE COWL
10	83601-MN5-000	GROMMET, SIDE COVER
11	90305-MN5-000	NUT, PLATE (5MM)
12	93903-25220	SCREW, TAP (5X12) -SE'92
13	93903-34380	SCREW, TAP (4X12)



Catalog Title:

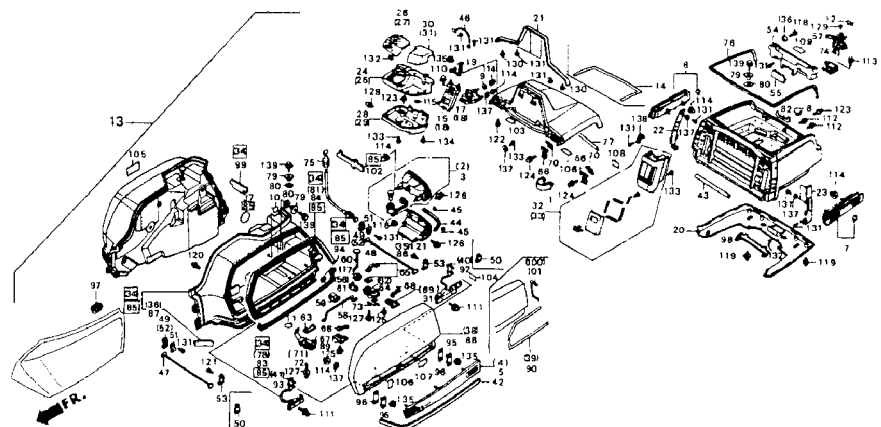
GL1500A / GL1500SE / GL1500I '92 '93

Block No.

F 73

Block Title:

SADDLEBAG&&TRUNK SET(1) '92



Ref. No.	Part No.	Description
1	17918-KJ2-000	CLIP, THROTTLE CABLE - SE'92
2	33500-MAM-A82	TAILLIGHT SADDLE BAG
2	33500-MN5-003	LIGHT (12V 32/2CP)
3	33550-MAM-A82	TAILLIGHT UNIT
3	33550-MN5-003	TAILLIGHT ASSY., L.
4	33750-MN5-003	REFLECTOR, R.
5	33755-MN5-003	REFLECTOR, L.
6	33950-MN5-003	GARNISH, R. TRUNK
6	33950-MT2-004	GARNISH, R. TRUNK
7	33980-MT2-004	GARNISH, L. TRUNK
8	50750-MB0-000	CAP, MAIN STAND PIPE
9	52427-KM4-003	WASHER, PLAIN
10	75826-605-300	SEAL (30MM)
10	91619-SE0-000	SEAL (30MM)
11	75826-634-300	SEAL (15MM)
12	77235-469-000	SPRING
13	80020-MY4-000ZB	SADDLEBAG & TRUNK SET *PB240M* - A'92
13	80020-MY4-000ZC	SADDLEBAG & TRUNK SET *R176C* - A'92
13	80020-MY4-870ZB	SADDLEBAG & TRUNK SET *PB240M* - I'92
13	80020-MY4-870ZC	SADDLEBAG & TRUNK SET *R176C* - I'92
13	80020-MY4-770ZA	SADDLEBAG & TRUNK SET *B134M* - SE'92
14	81122-MY4-770ZA	STRIPE (TYPE1) - SE'92
15	81130-MN5-000	HINGE, R. TRUNK
16	81131-MN5-000	HINGE, L. TRUNK
17	81136-MN5-000	BRKT, R. TRUNK HINGE

Catalog Title:

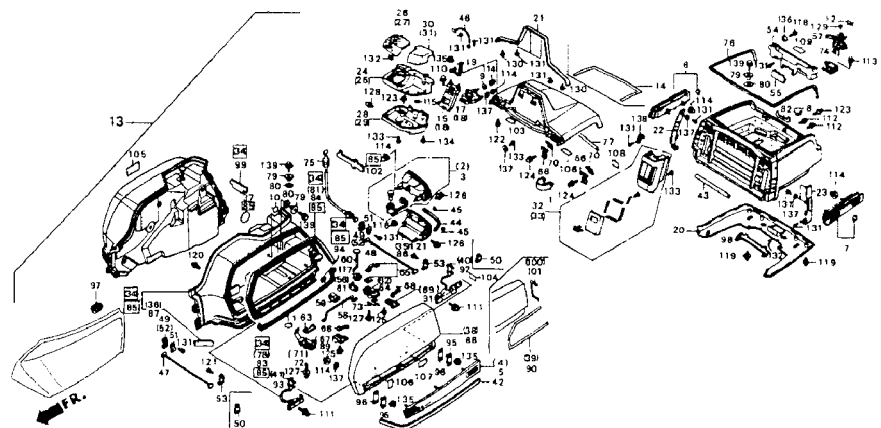
GL1500A / GL1500SE / GL1500I '92 '93

Block No.

F 73

Block Title:

SADDLEBAG&&TRUNK SET(1) '92



Ref. No.	Part No.	Description
18	81137-MN5-000	BRKT, L. TRUNK HINGE
19	81139-MN5-000	STIFFENER, TRUNK LID
20	81140-MN5-000ZN	COVER, TRUNK *R176C* - A/I'92
20	81140-MN5-000ZP	CVR, TRUNK *PB240M* - A/I'92
20	81140-MN5-000ZQ	COVER, TRUNK *B134M* - SE'92
20	81140-MN5-000ZR	COVER, TRUNK *B134M* - SE'92
21	81145-MAM-000	GARNISH, TRUNK LID
21	81145-MN5-000	GARNISH, TRUNK LID
22	81146-MN5-000	GARN, R. TRUNK SIDE - A/SE'92
22	81146-MY4-860	GARN, R. TRUNK SIDE - I'92
23	81147-MN5-000	GARN, L. TRUNK SIDE
24	81150-MN5-000ZA	CVR *NH159L* (TYPE1) - A/I'92
24	81150-MN5-000ZE	COVER *B75L* (TYPE5) - SE'92
25	81151-MN5-000ZA	CVR *NH159L* (TYPE1) - A/I'92
25	81151-MN5-000ZE	COVER *B75L* (TYPE5)- SE'92
26	81152-MN5-000ZA	COVER B, R. *NH159L* - A/I'92
26	81152-MN5-000ZE	COVER B, R. *B75L* - SE'92
27	81153-MN5-000ZA	COVER B, L. *NH159L* - A/I'92
27	81153-MN5-000ZE	COVER B, L. *B75L* - SE'92
28	81154-MN5-000ZA	BODY, R. *NH159L* - A/I'92
28	81154-MN5-000ZE	BODY *B75L* (TYPE5) - SE'92
29	81156-MN5-000ZA	BODY, L. *NH159L* - A/I'92
29	81156-MN5-000ZE	BODY *B75L* (TYPE5) - SE'92
30	81158-MN5-000ZA	CUSHION, R. *NH159L* - A/I'92
30	81158-MN5-000ZE	CUSHION, R. *B75L* - SE'92

Catalog Title:

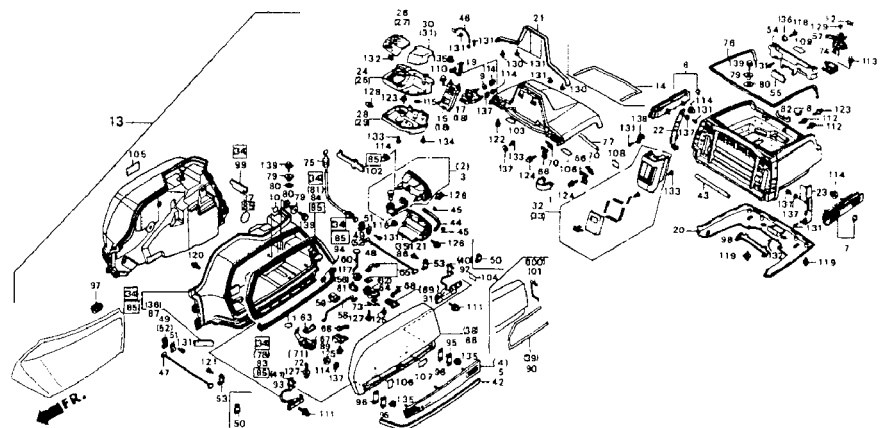
GL1500A / GL1500SE / GL1500I '92 '93

Block No.

F 73

Block Title:

SADDLEBAG&&TRUNK SET(1) '92



Ref. No.	Part No.	Description
31	81159-MN5-000ZA	CUSHION, L. *NH159L* - A/I'92
31	81159-MN5-000ZE	CUSHION, L. *B75L* - SE'92
32	81160-MN5-000ZA	POCKET, R. *NH159L* - A/I'92
32	81160-MN5-000ZG	POCKET *NH159L* - A/I'92
32	81160-MT8-770ZD	POCKET ASSY. *B75L* - SE'92
33	81161-MN5-000ZA	POCKET, L. *NH159L* - A/I'92
33	81161-MN5-000ZE	POCKET ASSY. *B75L* - SE'92
34	81210-MW5-670ZC	SADDLEBAG *R176C* - A'92
34	81210-MW5-670ZD	SADDLEBAG *PB240M* - A'92
34	81210-MW5-870ZB	SADDLEBAG *R176C* - I'92
34	81210-MW5-870ZC	SADDLEBAG *PB240M* - I'92
34	81210-MW5-770ZD	BODY COMP., R. SADDLEBAG *B134M - SE'92
35	81214-MN5-000ZN	COVER, R. *PB240M* - A/I'92
35	81214-MN5-000ZP	COVER, R. *R176C* - A/I'92
35	81214-MN5-000ZR	COVER, R. *B134M* - SE'92
36	81215-MN5-300	TAPE, R. SADDLEBAG
37	81217-MT2-300	SEAL, SADDLEBAG HOLE
38	81220-MT8-000ZG	LID, R. *R176C* - A/I'92
38	81220-MT8-000ZH	LID, R. *PB240M* - A/I'92
38	81220-MY4-770ZD	LID *B134M* (TYPE1) - SE'92
39	81227-MY4-770ZA	STRIPE, R. (TYPE1) - SE'92
40	81230-MN5-010	HINGE COMP., R. RR.
41	81235-MN5-010	HINGE COMP., R. FR.
42	81240-MN5-000	MOLDING, SADDLEBAG
43	81241-MT2-000	RUBBER, SEAL

Catalog Title:

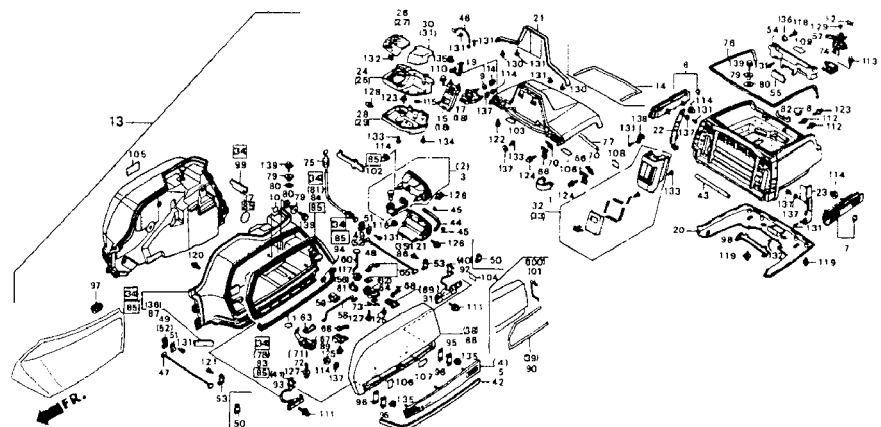
GL1500A / GL1500SE / GL1500I '92 '93

Block No.

F 73

Block Title:

SADDLEBAG&&TRUNK SET(1) '92



Ref. No.	Part No.	Description
44	81242-MN5-000	MOLDING (LOWER)
45	81247-MN5-000	CLIP, MOLDING
46	81250-MN5-000	STOPPER, TRUNK LID
47	81251-MN5-000	STOPPER, FR.
48	81252-MN5-000	STOPPER, RR.
49	81253-MN5-000	STAY, L. LID STOPPER
50	81254-MN5-000	STAY B, LID STOPPER
51	81255-MN5-000	GUIDE, CABLE STOPPER
52	81256-MN5-000	STAY, R. LID STOPPER
53	81257-MT2-000	STAY C, LID STOPPER
54	81305-MT8-771	CATCH ASSY., TRUNK
55	81306-MN5-003	COVER, OPENER UNIT
56	81309-MN5-003	PLATE, R.
57	81310-MAM-003	OPENER UNIT
57	81310-MN5-003	UNIT, OPENER
58	81316-MN5-003	ROD
59	81317-MN5-003	SNAP, OPENER ROD
60	81318-MN5-003	ROD, EMERGENCY PUSH
61	81319-MN5-003	PLATE, L.
61	81319-MZ3-003	PLATE, L.
62	81320-MT8-003	CATCH, R. RR.
63	81321-MN5-000	PLATE A
64	81322-MT8-003	CATCH, L. RR.
65	81323-MN5-010	PLATE
66	81325-MN5-000	STRIKER, TRUNK

Catalog Title:

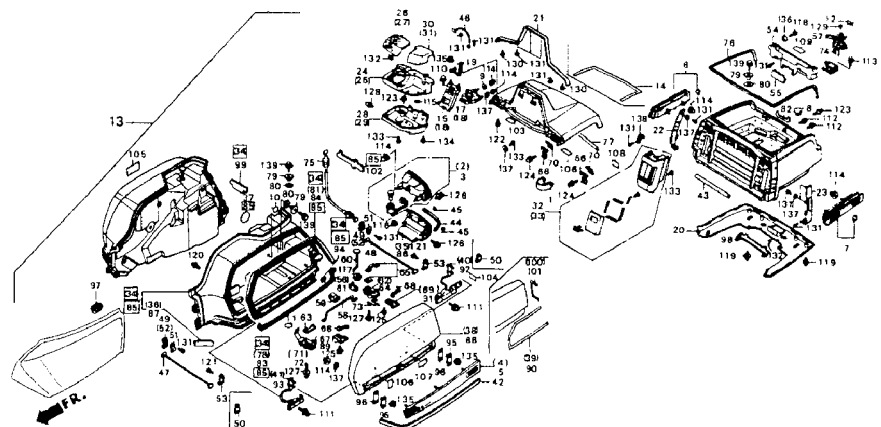
GL1500A / GL1500SE / GL1500I '92 '93

Block No.

F 73

Block Title:

SADDLEBAG&&TRUNK SET(1) '92



Ref. No.	Part No.	Description
67	81326-MN5-010	STRIKER, R. FR.
68	81327-MN5-000	PLATE
69	81328-MN5-000	STRIKER, R. RR.
70	81329-MN5-000	PLATE
71	81331-MT8-003	CATCH, R. FR.
72	81332-MT8-003	CATCH, L. FR.
73	81333-MN5-000	SPRING
74	81335-MN5-003	LEVER ASSY.
75	81345-MN5-000	CABLE A
76	81350-MN5-000	RUBBER, TRUNK SEAL
77	81351-MN5-000	RUBBER, TRUNK SEAL
78	81352-MT8-010	RUBBER, R.
79	81355-MN5-000	COLLAR
80	81356-MN5-000	RUBBER, BAG SETTING
81	81357-MT8-010	RUBBER, R.
82	81361-MN5-300	RUBBER, TRUNK SEAL
83	81382-MT8-010	RUBBER, L.
84	81387-MT8-010	RUBBER, L.
85	81410-MW5-670ZC	SADDLEBAG *R176C* - A'92
85	81410-MW5-670ZD	SADDLEBAG *PB240M* - A'92
85	81410-MW5-870ZB	SADDLEBAG *R176C* - I'92
85	81410-MW5-870ZC	SADDLEBAG *PB240M* - I'92
85	81410-MY4-770ZD	SADDLEBAG *B134M* - SE'92
86	81414-MN5-000ZN	COVER, L. *PB240M* - A/I'92
86	81414-MN5-000ZP	COVER, L. *R176C* - A/I'92

Catalog Title:

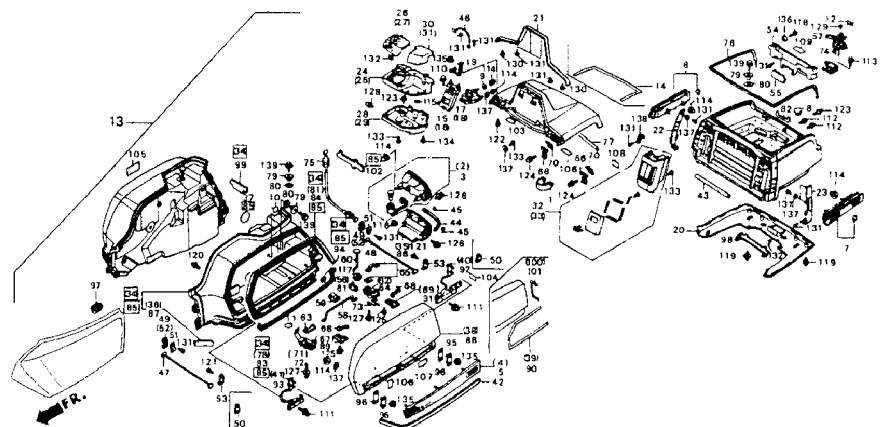
GL1500A / GL1500SE / GL1500I '92 '93

Block No.

F 73

Block Title:

SADDLEBAG&&TRUNK SET(1) '92



Ref. No.	Part No.	Description
86	81414-MN5-000ZR	COVER, L. *B134M* - SE'92
87	81415-MN5-300	TAPE, L. SADDLEBAG
88	81420-MT8-000ZG	LID, L. *R176C* - A/I'92
88	81420-MT8-000ZH	LID, L. *PB240M* - A/I'92
88	81420-MY4-770ZD	LID *B134M* (TYPE1) - SE'92
89	81426-MN5-000	STRIKER, L. FR.
90	81427-MY4-770ZA	STRIPE, L. (TYPE1) - SE'92
91	81428-MN5-000	STRIKER, L. RR.
92	81430-MN5-010	HINGE COMP., L. RR.
93	81435-MN5-010	HINGE COMP., L. FR.
94	81437-MN5-300	RUBBER, HINGE SEAL
95	81438-MN5-000	WASHER
96	81439-MN5-000	RUBBER, HINGE SEAL
97	83551-MA6-000	GROMMET, SIDE COVER
98	84705-MT8-000	COVER, LICENSE LIGHT
99	87111-MG9-700	EMBLEM, SADDLEBAG - A/I'92
99	87111-MY4-770	EMBLEM, R. RR. - SE'92
99	87111-MY4-770ZA	EMBLEM, R. (TYPE1) - SE'92
100	87117-MY4-770ZC	STRIPE, R. (TYPE1) - SE'92
101	87118-MY4-770ZA	STRIPE, L. (TYPE1) - SE'92
102	87121-MW5-670	EMBLEM, L. RR. - A'92
102	87121-MW5-870	EMBLEM, L. RR. - I'92
103	87505-MT2-300	LABEL, TIRE
104	87511-323-670	LABEL, HELMET HOLDER

Catalog Title:

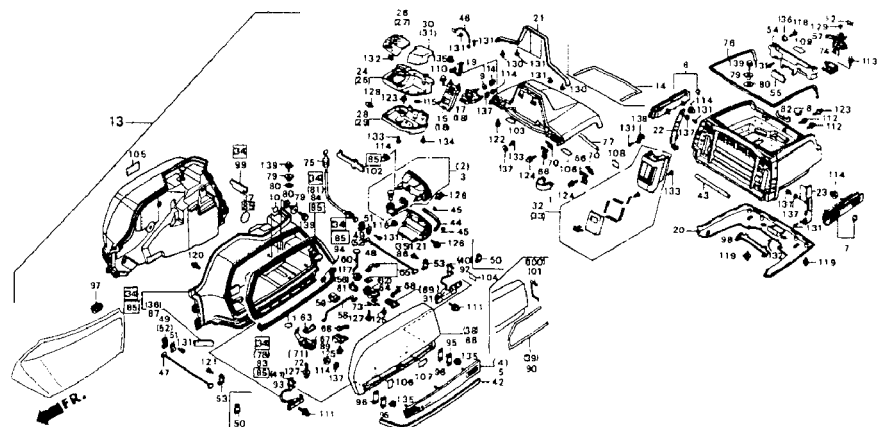
GL1500A / GL1500SE / GL1500I '92 '93

Block No.

F 73

Block Title:

SADDLEBAG&&TRUNK SET(1) '92



Ref. No.	Part No.	Description
105	87518-MB9-780	LABEL, RR. - I'92
106	87520-MT2-300	LABEL
107	87521-MT2-300	LABEL, SADDLEBAG
108	87525-MT2-300	LABEL, TRUNK POCKET
109	87526-MN5-300	LABEL, KEY POSITION
110	90002-GC3-000	BOLT, FLANGE (5X10)
111	90103-GB6-930	SCREW
112	90104-964-000	SCREW, PAN (5X12)
113	90112-GC6-000	BOLT, FLANGE (6MM)
114	90167-SA0-980	NUT (5MM)
115	90301-GE0-000	NUT, CLIP
116	90305-MN5-000	NUT, PLATE (5MM)
117	90801-MN5-010	GROMMET
118	93500-05012-0G	SCREW, PAN (5X12)
119	93891-04012-07	SCREW-WASHER (4X12)
120	93891-05012-0A	SCREW-WASHER (5X12)
120	93891-05012-00	SCREW-WASHER (5X12)
121	93893-04012-07	SCREW-WASHER (4X12)
122	93893-05010-07	SCREW-WASHER (5X10)
123	93893-05012-07	SCREW-WASHER (5X12)
124	93893-05014-07	SCREW-WASHER (5X14)
125	93893-05016-07	SCREW-WASHER (5X16)
126	93893-05020-07	SCREW-WASHER (5X20)
127	93893-05025-07	SCREW-WASHER (5X25)
128	93894-05012-07	SCREW-WASHER (5X12)

Catalog Title:

GL1500A / GL1500SE / GL1500I '92 '93

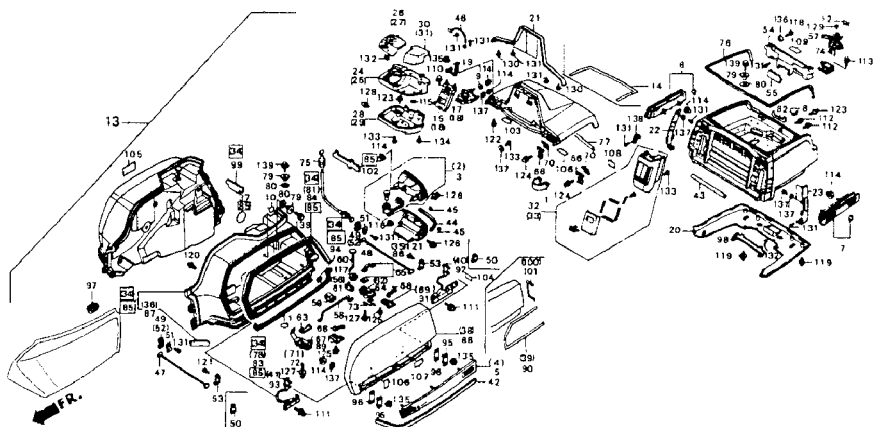
Block No.

F 73

Block Title:

SADDLEBAG&&TRUNK SET(1) '92

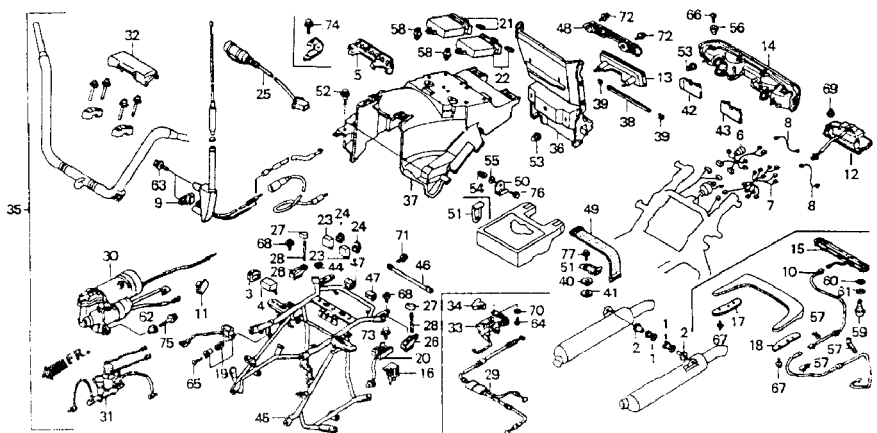
Ref. No.	Part No.	Description
129	93901-24280	SCREW, TAP (4X10)
130	93903-24280	SCREW, TAP (4X10)
131	93903-24380	SCREW, TAP (4X12)
132	93903-24480	SCREW, TAP (4X16)
133	93903-25380	SCREW, TAP (5X16)
134	93903-25480	SCREW, TAP (5X20)
135	94050-05080	NUT, FLANGE (5MM)
136	94101-05700	WASHER, PLAIN (5MM)
137	94103-05700	WASHER, PLAIN (5MM)
138	94591-45000	CLIP, WIRE (4X50)
139	96001-06020-07	BOLT, FLANGE (6X20)



Catalog Title:
GL1500A / GL1500SE / GL1500I '92 '93

Block No.
F 7301

Block Title:
SADDLEBAG&&TRUNK SET(2) '92

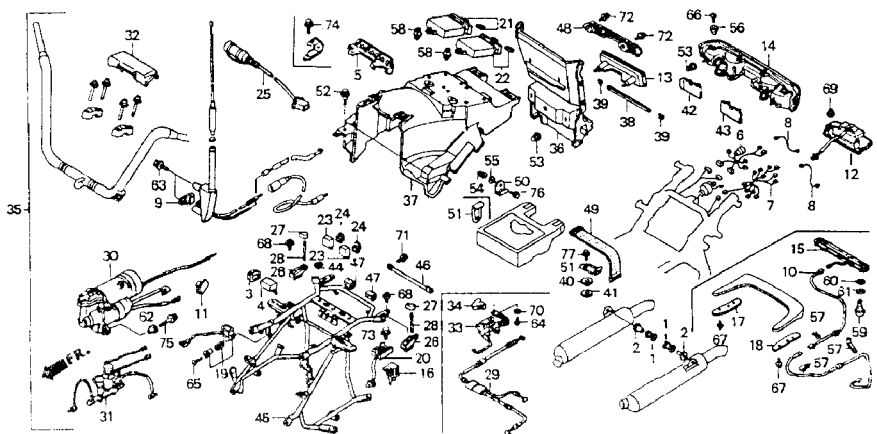


Ref. No.	Part No.	Description
1	18421-MN5-000	RUBBER
2	18422-MN5-000	COLLAR
3	30401-KF0-000	CUSHION - A/SE'92
4	31710-MT8-003	DIODE COMP., REVERSE - A/SE'92
5	32010-MN5-000	HOLDER, CONNECTOR
6	32101-MT8-000	SUB-HARNESS, R. RR. - A/SE'92
7	32102-MT8-000	SUB-HARNESS, RR. - A'92
7	32102-MY4-870	SUB-HARNESS, RR. - I'92
7	32102-MT8-770	SUB-HARNESS, L. RR. - SE'92
8	32107-MN5-000	SUB-WIRE - A/SE'92
9	32111-426-000	CLAMP, CABLE - A/SE'92
9	32111-460-780	CLAMP - A/SE'92
10	32116-MT8-770	SUB-HARNESS - SE'92
11	32911-MG9-950	CLAMP, CABLE
12	33720-MT2-004	LIGHT (12V 3CP)
13	33742-MT2-004	REFLECTOR, RR.
14	33780-MN5-003	LIGHT SET, TRUNK
15	34200-MT8-771	LIGHT ASSY.- SE'92
16	34210-MT8-771	CONTROL UNIT.- SE'92
17	34311-MT8-770	RUBBER, R.- SE'92
18	34312-MT8-770	RUBBER, L.- SE'92
19	35160-MAF-003	SENSOR ASSY., KILL
19	35160-MT8-003	SENSOR ASSY., KILL
20	35880-MN5-000	REGULATOR COMP.- A/SE'92
21	36400-MT8-003	CONT UNIT, REVERSE.- A/SE'92

Catalog Title:
GL1500A / GL1500SE / GL1500I '92 '93

Block No.
F 7301

Block Title:
SADDLEBAG&&TRUNK SET(2) '92

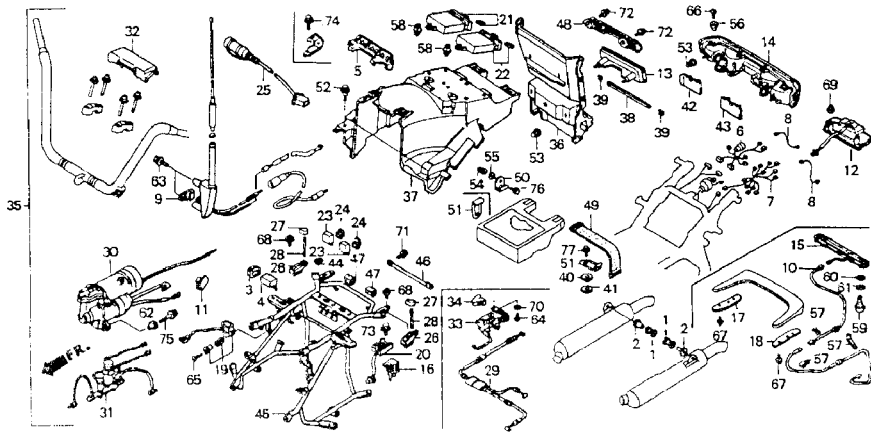


Ref. No.	Part No.	Description
22	36700-MY4-003	CONTROLLER.- A/SE'92
23	38301-MG9-681	RELAY, TURN SIGNAL
24	38306-GE7-000	SUSPENSION
25	39245-MT2-010	LEAD.- A/SE'92
26	50710-MN5-000	HOLDER ASSY., HELMET
27	50712-MN5-000	KNOB, HELMET HOLDER
28	50713-MN5-000	ROD, HELMET HOLDER
29	50750-MT8-770	CABLE COMP. - SE'92
30	52700-MN5-003	PUMP ASSY., AIR.- A/SE'92
31	52730-MN5-003	DISTRIBUTOR, AIR.- A/SE'92
32	53130-MN5-000	COVER, HANDLE CENTER - A/I'92
33	74882-MT8-771	LEVER COMP. - SE'92
34	74885-MT8-770	KNOB - SE'92
35	80020-MY4-000ZB	SADDLEBAG & TRUNK SET *PB240M* - A'92
35	80020-MY4-000ZC	SADDLEBAG & TRUNK SET *R176C* - A'92
35	80020-MY4-870ZB	SADDLEBAG & TRUNK SET *PB240M* - I'92
35	80020-MY4-870ZC	SADDLEBAG & TRUNK SET *R176C* - I'92
35	80020-MY4-770ZA	SADDLEBAG & TRUNK SET *B134M* -SE'92
36	80100-MN5-000ZN	FENDER, RR. *PB240M* - A/I '92
36	80100-MN5-000ZP	FDR A, RR. *R176C* - A/I '92
36	80100-MN5-000ZR	FDR A, RR. *B134M* - SE'92
37	80101-MN5-000	FENDER B, RR. - A/SE'92

Catalog Title:
GL1500A / GL1500SE / GL1500I '92 '93

Block No.
F 7301

Block Title:
SADDLEBAG&&TRUNK SET(2) '92



Ref. No.	Part No.	Description
37	80101-MW5-870	FENDER B COMP., RR. - I'92
38	81245-MN5-000	MOLDING, RR. FENDER
39	81247-MN5-000	CLIP, MOLDING
40	81355-MN5-000	COLLAR
41	81356-MN5-000	RUBBER, BAG SETTING
42	81358-MN5-000	CVR, R. TRUNK LIGHT
43	81359-MN5-000	CVR, L. TRUNK LIGHT
44	83618-323-000	RUBBER, BATTERY BOX
45	84100-MN5-000	STAY, SADDLEBAG
45	84100-MW5-870	STAY, LUGGAGE BAG -I'92
46	84102-MN5-000	JOINT, RR. FRAME END
47	84103-MN5-000	CUSHION, RR. TRUNK
48	84700-MN5-000	BRKT, NUMBER PLATE
49	89105-MN5-000	BAND, TOOL SETTING
50	89106-MN5-000	STAY, TOOL SETTING - A/SE'92
51	89108-MT2-000	PLATE, TOOL SET
52	90112-GC6-000	BOLT, FLANGE (6MM)
53	90167-SA0-980	NUT (5MM)
54	90201-428-900	NUT, CAP (6MM)
54	90308-MT8-000	NUT, CAP (6MM)
55	90512-KF9-900	WASHER (6X20)
56	90556-MB4-000	WASHER, FR.
57	90601-KJ9-000	CLIP (4X50) - SE'92
58	90670-SB2-671	SCREW - A/SE'92

Catalog Title:

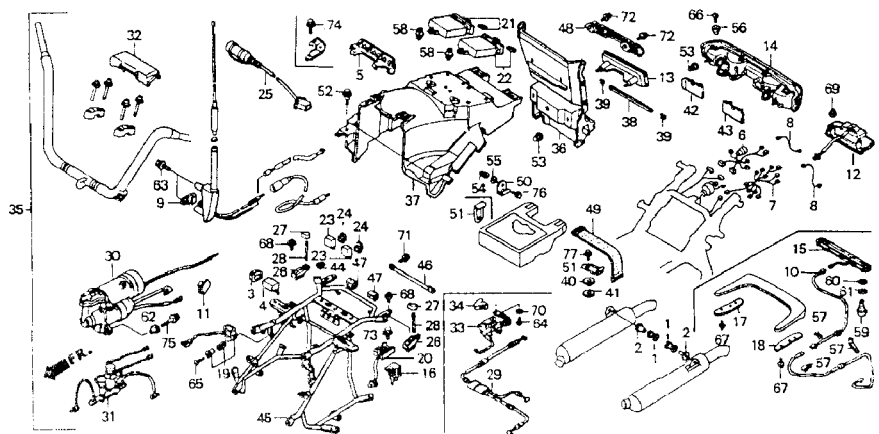
GL1500A / GL1500SE / GL1500I '92 '93

Block No.

F 7301

Block Title:

SADDLEBAG&&TRUNK SET(2) '92



Ref. No.	Part No.	Description
59	91422-MT8-770	SCREW, SPECIAL (5MM) - SE'92
60	91423-MT8-770	RUBBER - SE'92
61	91424-MT8-770	WASHER, PLAIN (7MM) - SE'92
62	91551-723-650	COLLAR, DISTANCE - A/SE'92
63	93411-06016-08	BOLT-WASHER (6X16) - A/SE'92
64	93500-03006-0A	SCREW, PAN (3X6) - SE'92
65	93500-04020-0H	SCREW, PAN (4X20)
66	93500-05014-0G	SCREW, PAN (5X14)
67	93891-06012-07	SCREW-WASHER (6X12) - SE'92
67	93891-06012-17	SCREW-WASHER (6X12) - SE'92
68	93893-06012-07	SCREW-WASHER (6X12)
69	94050-05080	NUT, FLANGE (5MM)
70	94101-03700	WASHER, PLAIN (3MM) - SE'92
71	95701-06010-08	BOLT, FLANGE (6X10)
72	95701-06012-07	BOLT, FLANGE (6X12)
73	95701-06012-08	BOLT, FLANGE (6X12) - A/SE'92
74	95701-06014-08	BOLT, FLANGE (6X14) - SE'92
75	95701-06018-08	BOLT, FLANGE (6X18) - A/SE'92
75	95801-06018-08	BOLT, FLANGE (6X18) - A/SE'92
76	96001-06012-07	BOLT, FLANGE (6X12)
77	96001-06020-07	BOLT, FLANGE (6X20)
78	38752-MN5-003	FILTER, AIR PUMP - A/SE'92

Catalog Title:
GL1500A / GL1500SE / GL1500I '92 '93

Block No.
F 74

Block Title:
TOOL BAND SET '92

Ref. No.	Part No.	Description
1	87111-MG9-700	EMBLEM, SADDLEBAG - A/SE'92
2	87121-MW5-670	EMBLEM, L. RR. - A'92
2	87121-MW5-870	EMBLEM, L. RR. - I'92
3	87122-MT8-770	EMBLEM, L. RR. - SE'92
4	87123-MT8-770	EMBLEM, L. RR. - SE'92
5	89011-MW5-000	BAND SET, TOOL - A'92
5	89011-MW5-870	BAND SET, TOOL - I'92
5	89011-MW5-770	BAND SET, TOOL - SE'92
6	89105-MN5-000	BAND, TOOL SETTING
7	89106-MN5-000	STAY, TOOL SETTING - A/SE'92
8	89108-MT2-000	PLATE, TOOL SET -
9	90201-428-900	NUT, CAP (6MM)
9	90308-MT8-000	NUT, CAP (6MM)
10	90512-KF9-900	WASHER (6X20)
11	96001-06012-07	BOLT, FLANGE (6X12)

